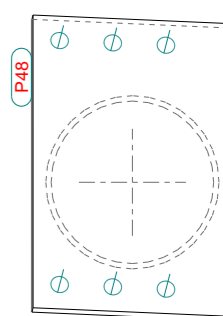
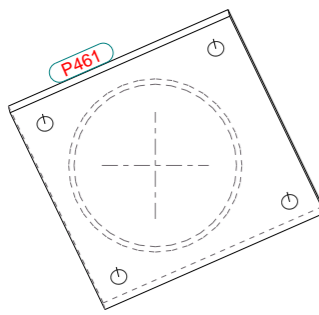


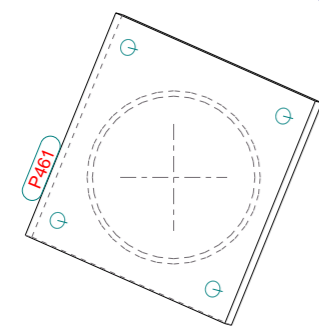
A-A



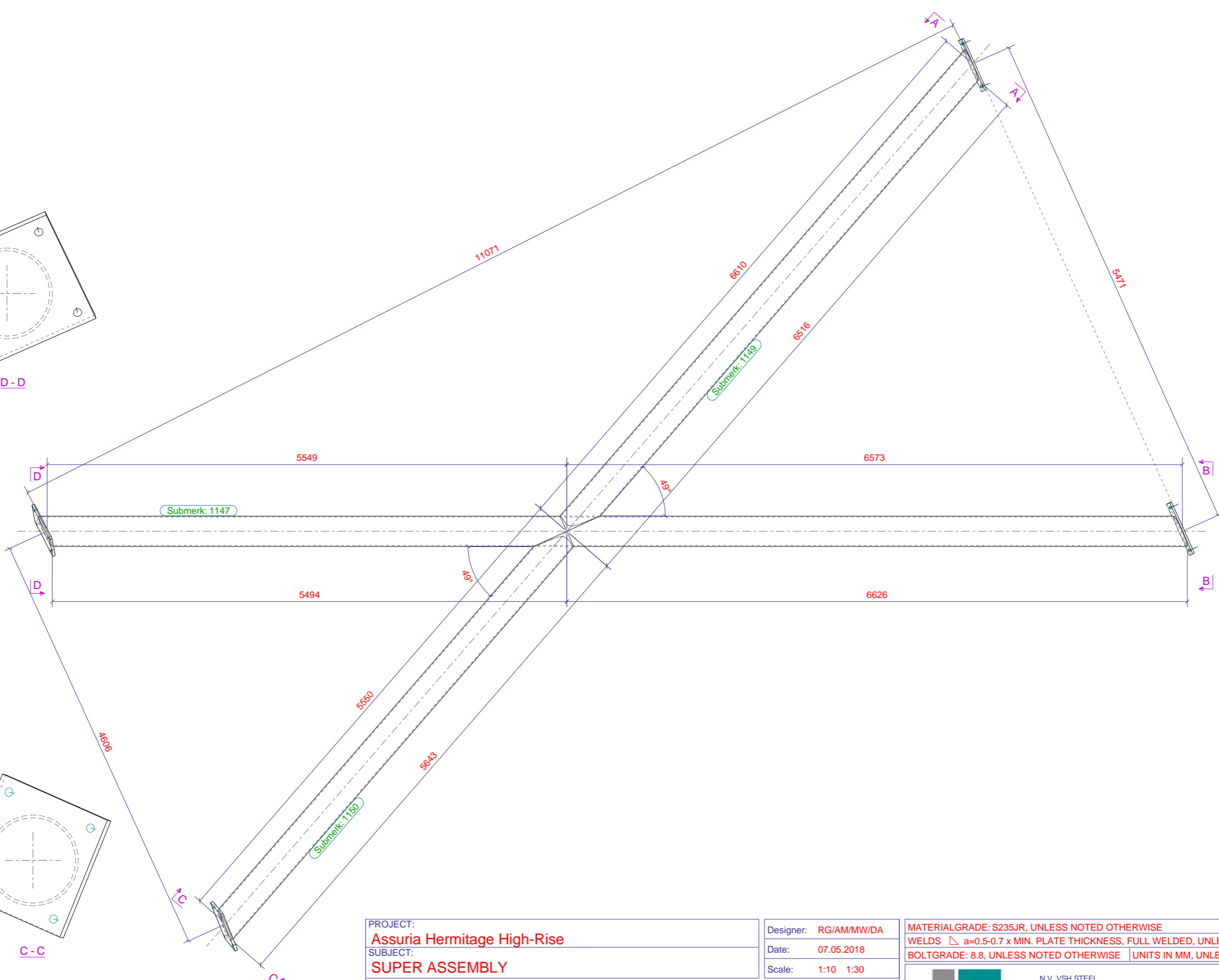
B-B



D-D



C-C



PROJECT:
Assuria Hermitage High-Rise
 SUBJECT:
SUPER ASSEMBLY

CLIENT:
Aarvina Trading N.V.
 SITE:
Paramaribo

Designer: **RG/AMMW/DA**
 Date: **07.05.2018**
 Scale: **1:10 1:30**

MATERIALGRADE: **S235JR, UNLESS NOTED OTHERWISE**
 WELDS Δ **a=0.5-0.7 x MIN. PLATE THICKNESS, FULL WELDED, UNLESS NOTED OTHERWISE**
 BOLTGRADE: **8.8, UNLESS NOTED OTHERWISE** UNITS IN MM, UNLESS NOTED OTHERWISE PROJECTION



Project:
JL17-017
 Drawing:
A [A.155] Size:
A2
 Status:

MATERIAL LIST FOR SUPER ASSEMBLY: **A155** Number: **1**

Assembly	Profile	Grade	Number	Length (mm)	Weight (kg)
1147	Subassembly		1		1032.7
1149	Subassembly		1		551.1
1150	Subassembly		1		484.7
Total					2068.5