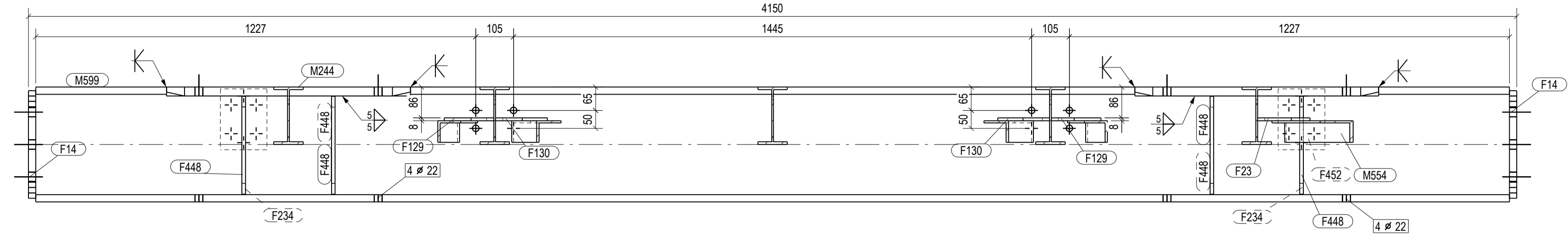


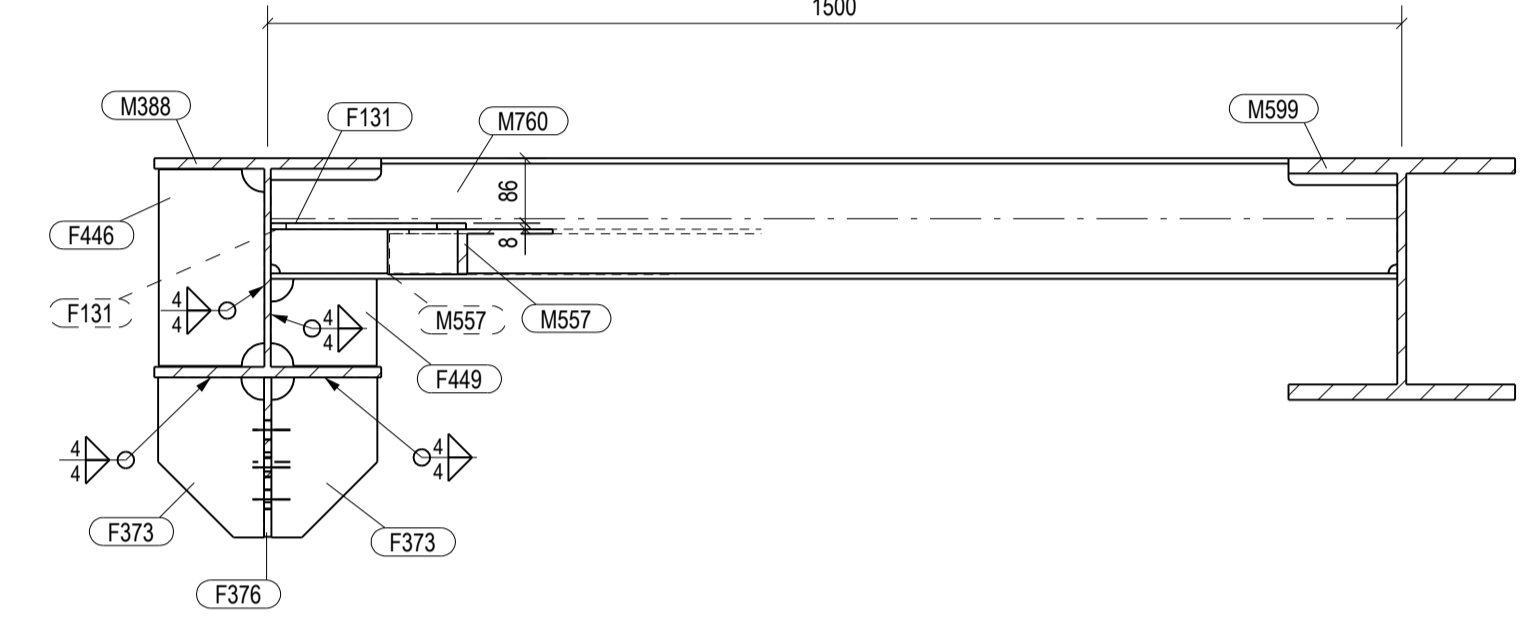
E - E
1:10



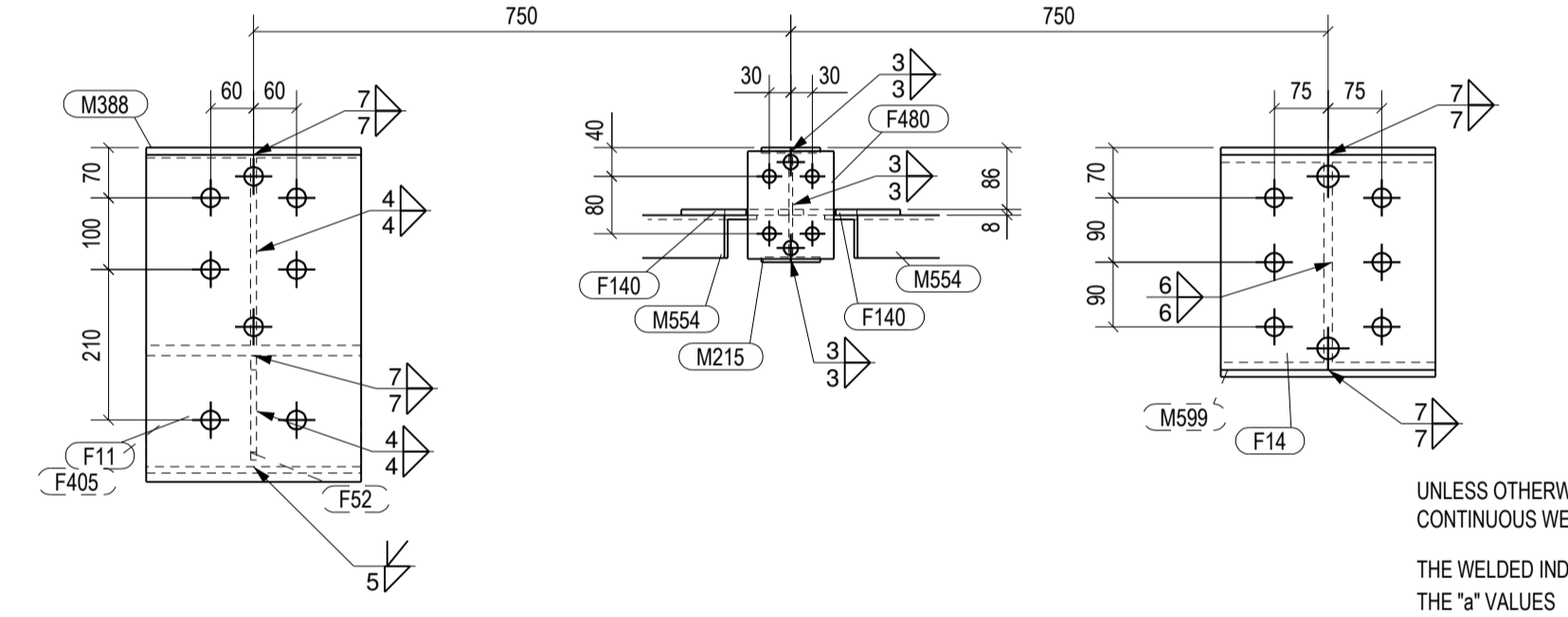
A - A
1:10



B - B
1:10



C - C
1:10

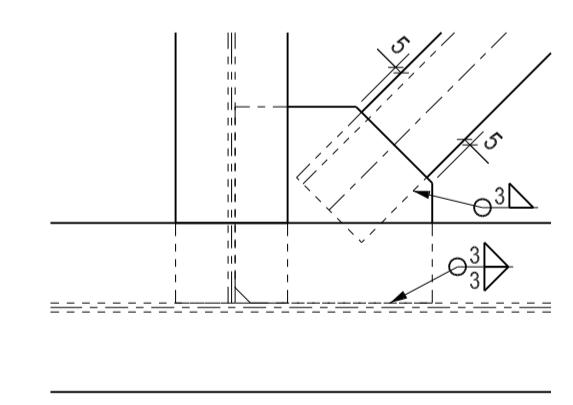


UNLESS OTHERWISE SPECIFIED
CONTINUOUS WELD a=4
THE WELDED INDICATIONS ARE
THE "a" VALUES

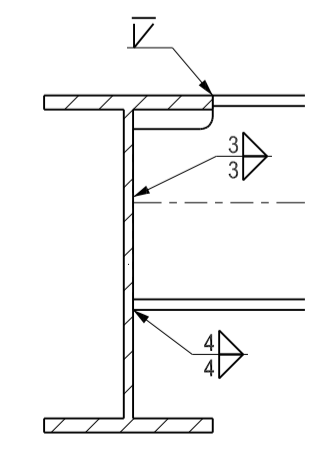
QUANTITY TO BE PRODUCED TOTAL (PCS) : 1
ASSEMBLY TO BE HOT DIP GALVANISED EXECUTION CLASS EXC 2 ACC. TO EN 1090-2

ASSEMBLY INFO.	WIDTH - 1930mm	HEIGHT - 502 mm	LENGTH - 4160mm	WEIGHT - 1431.5 kg	AREA - 27.47 m ²	
2 PL20*300	- 456	S355J2		21.5	0.30	F11
2 PL20*300	- 300	S355J2		14.1	0.20	F14
2 PL8*146	- 187	S235JR		1.1	0.04	F23
2 PL8*138	- 262	S235JR		1.5	0.05	F24
2 PL8*146	- 273	S235JR		1.4	0.05	F52
2 PL8*138	- 261	S235JR		2.2	0.08	F129
2 PL8*145	- 256	S235JR		2.2	0.08	F130
2 PL8*145	- 258	S235JR		2.2	0.08	F131
2 PL8*150	- 168	S235JR		1.1	0.04	F140
2 PL10*201	- 250	S355J2		3.5	0.10	F207
2 PL10*199	- 274	S355J2		3.8	0.11	F234
2 PL10*140	- 212	S355J2		1.9	0.05	F373
1 PL10*211	- 422	S355J2		6.1	0.17	F376
2 PL10*300	- 338	S235JR		8.0	0.22	F405
1 PL10*140	- 260	S355J2		2.7	0.08	F446
6 PL10*146	- 243	S355J2		2.7	0.08	F447
6 PL10*145	- 273	S355J2		3.0	0.08	F448
1 PL10*115	- 140	S355J2		1.2	0.03	F449
4 PL10*130	- 170	S235JR		1.7	0.05	F452
1 PL10*120	- 150	S235JR		1.4	0.04	F480
4 PL25*410	- 680	S355J2		52.2	0.59	F775
1 IPE160	- 722	S235JR		11.4	0.45	M215
2 IPE160	- 1490	S235JR		23.5	0.93	M244
1 HEA300	- 4020	S355J2		356.6	6.91	M388
2 L60*6	- 770	S235JR		4.2	0.18	M554
2 L60*6	- 1221	S235JR		6.6	0.28	M556
2 L60*6	- 1314	S235JR		7.1	0.31	M557
1 HEB320	- 4110	S355J2		519.4	7.27	M599
3 IPE160	- 1490	S235JR		23.5	0.93	M760

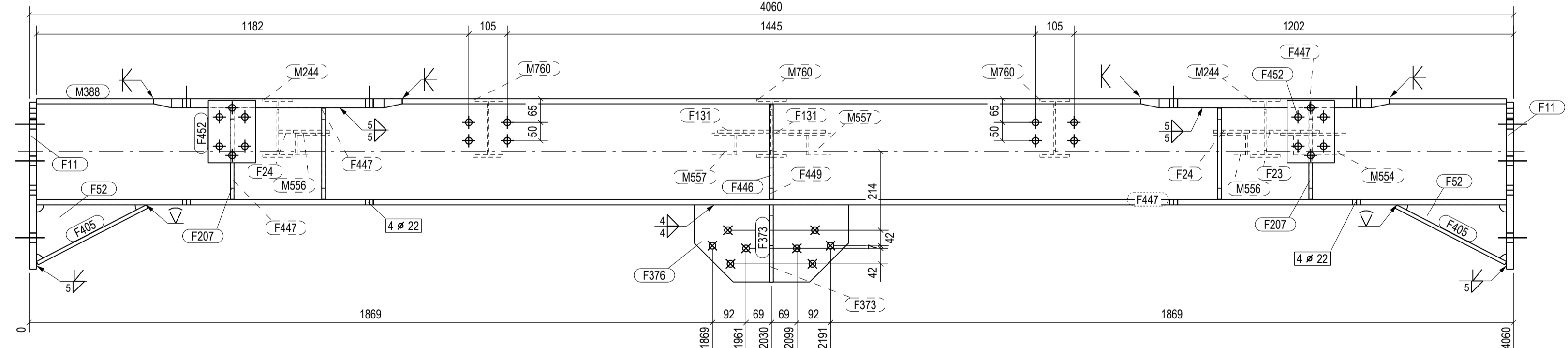
WELDING DETAILS - PRINCIPLE
U.N.O.



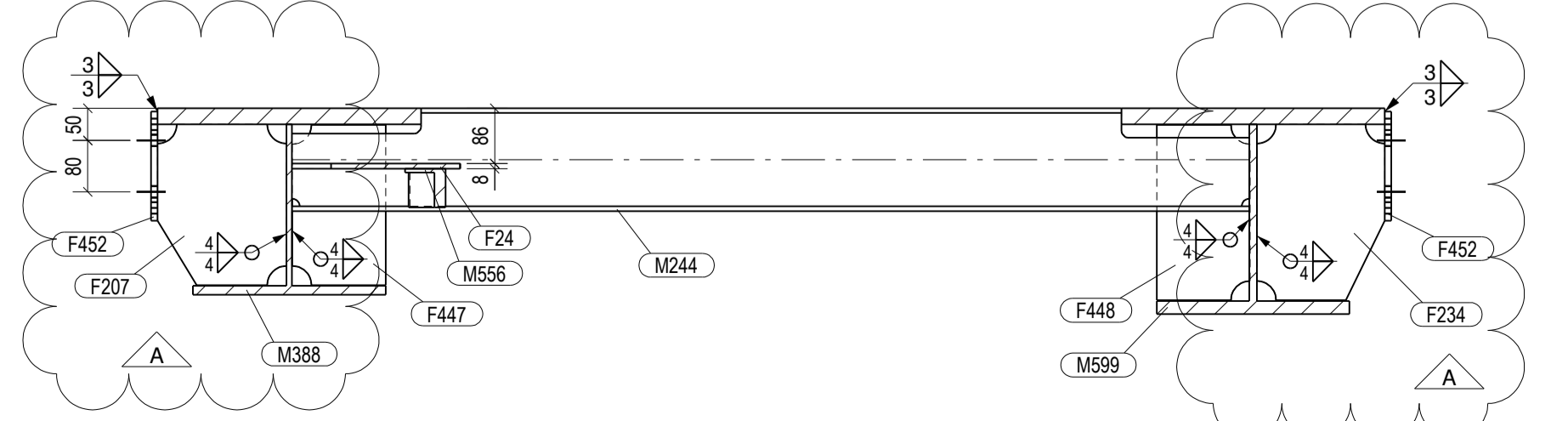
WELDING DETAILS - PRINCIPLE
U.N.O.



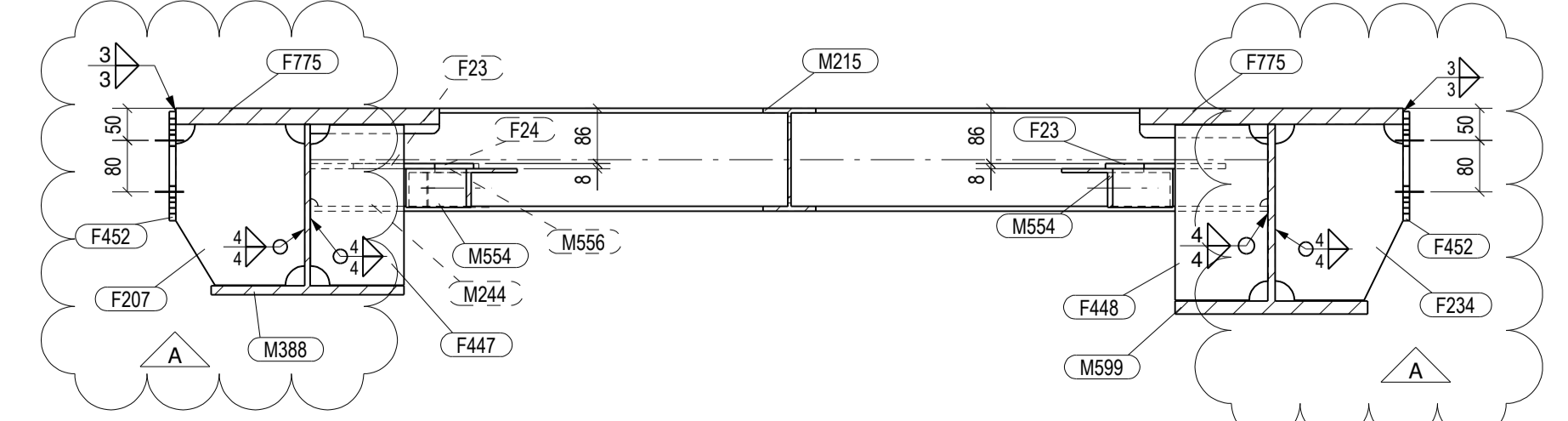
D - D
1:10



F - F
1:10



G - G
1:10



Contents:
BEAM
K3 CHP Facility
Kemsley Mill, Sittingbourne, Kent

Scale:
1:10

TEKLA STRUCTURES
Group: A
Order num.: 12477
Drawing number: 6-B1



Contractor: LAB S.A., 259, AVENUE JEAN JAURES CS 60410 - 69364 LYON CEDEX 07 (France)

Elaborated by firm: SKALA & VIT s.r.o., Hradec Králové, Czech Republic, tel. +420495515364, projekt@skala-vit.cz