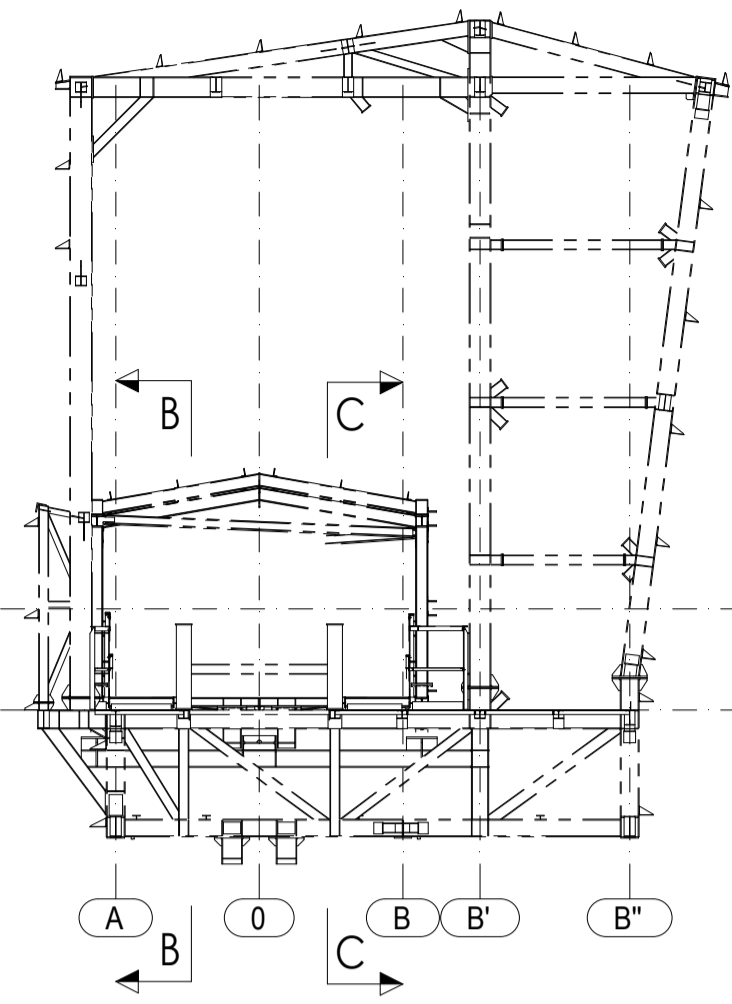
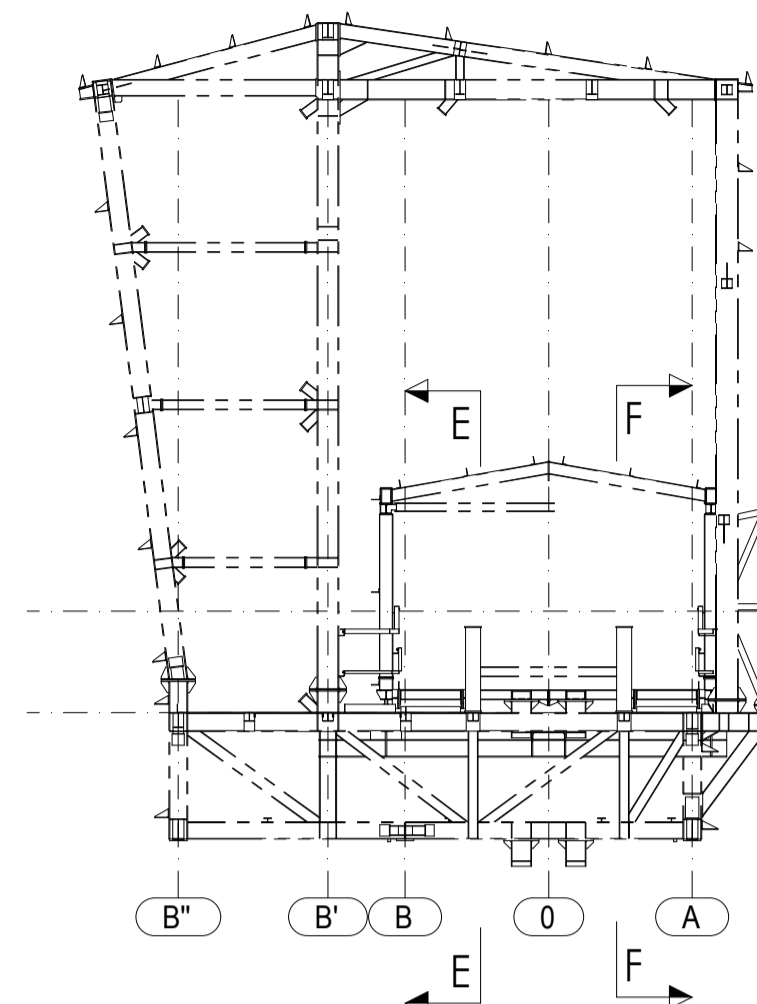


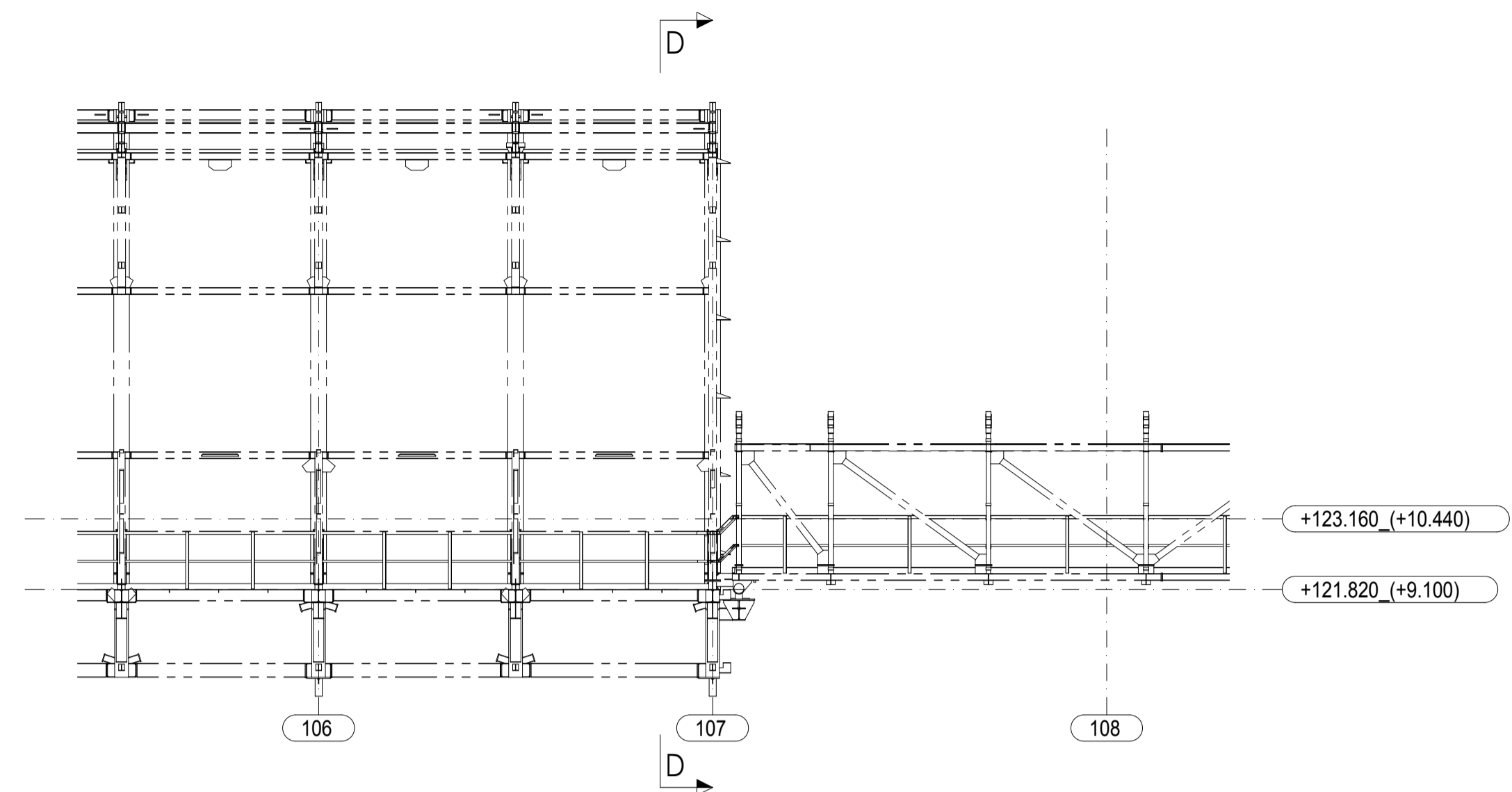
AXIS A BY TT-05
SCALE: 1:100



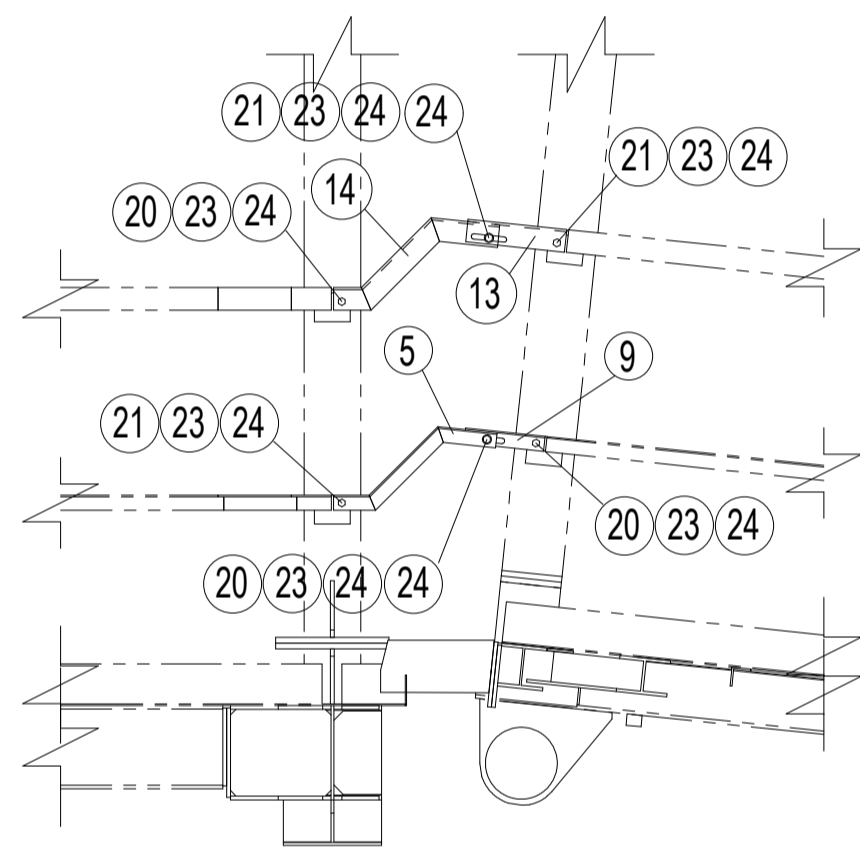
VIEW BY A
SCALE: 1:100



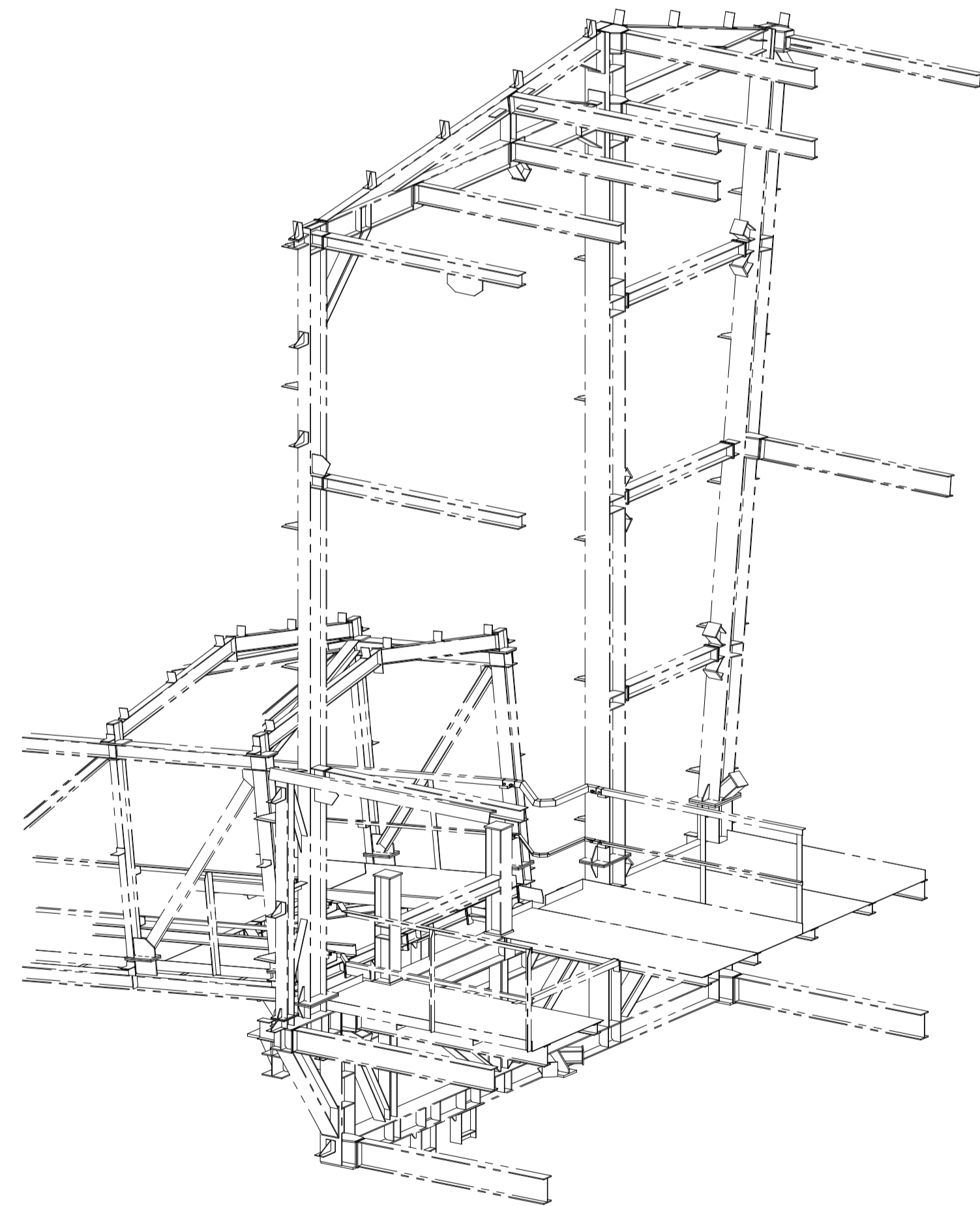
VIEW BY D
SCALE: 1:100



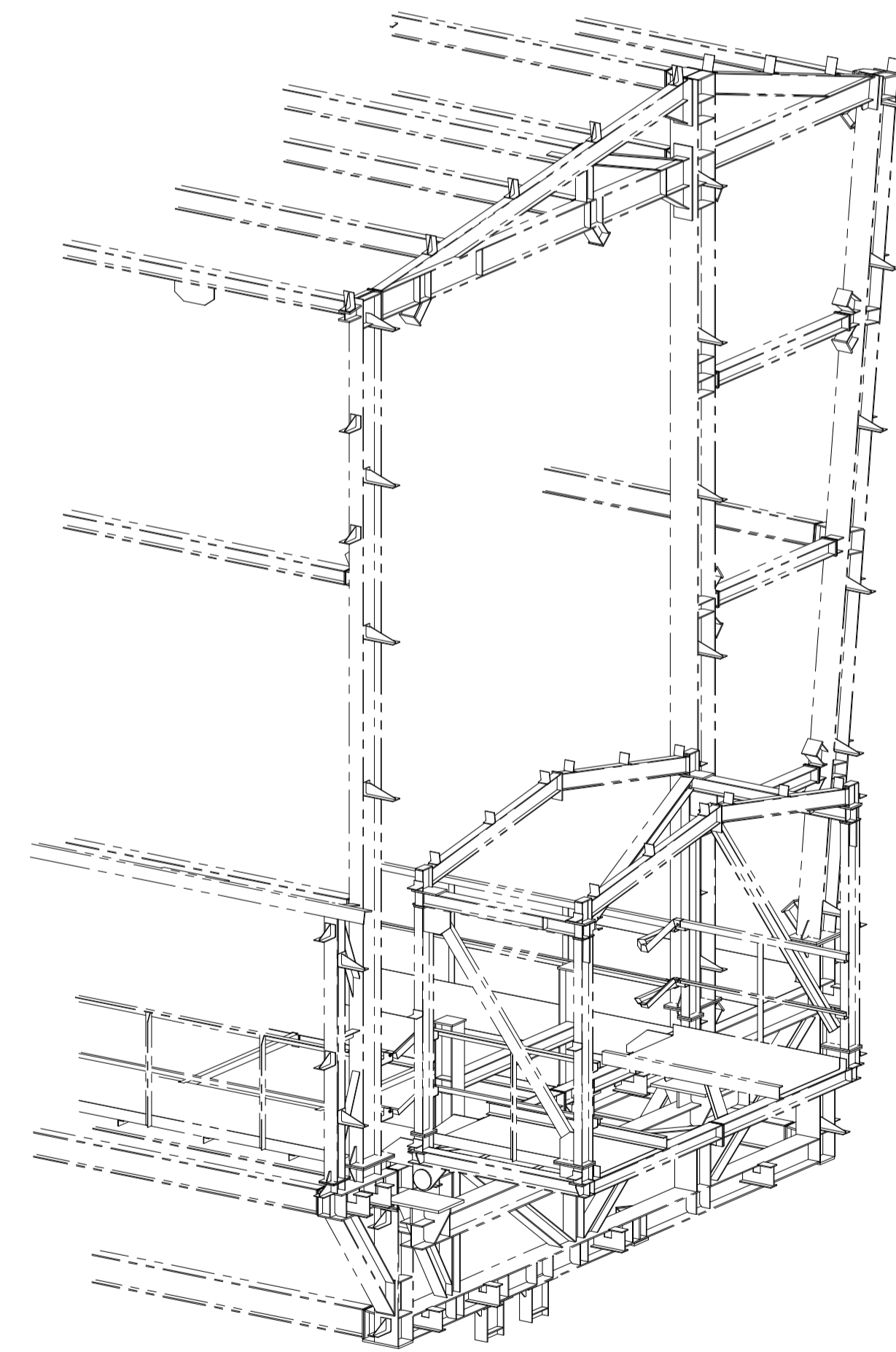
AXIS A BY TT-06
SCALE: 1:100



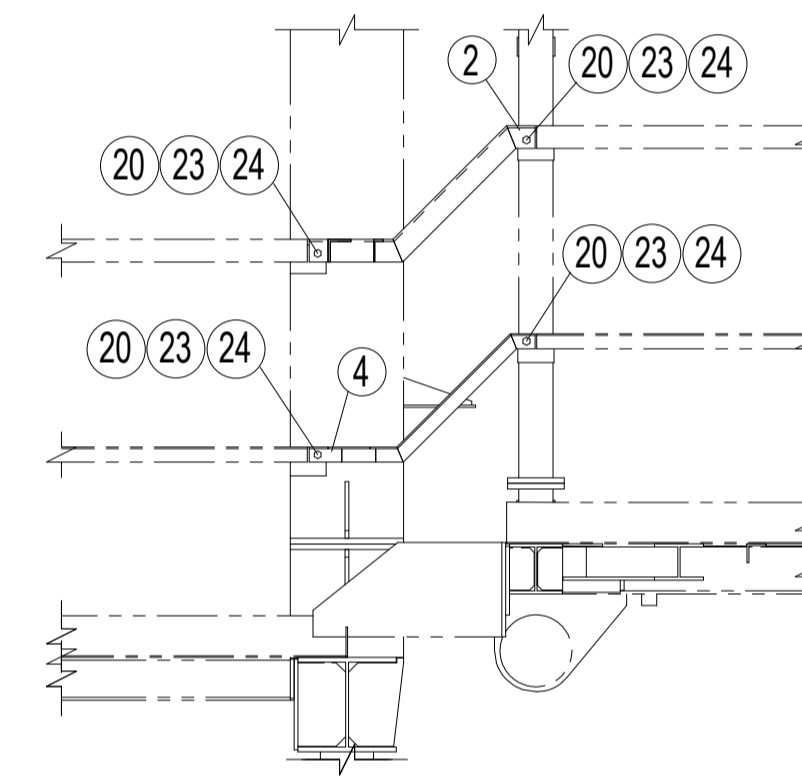
VIEW BY B
SCALE: 1:20



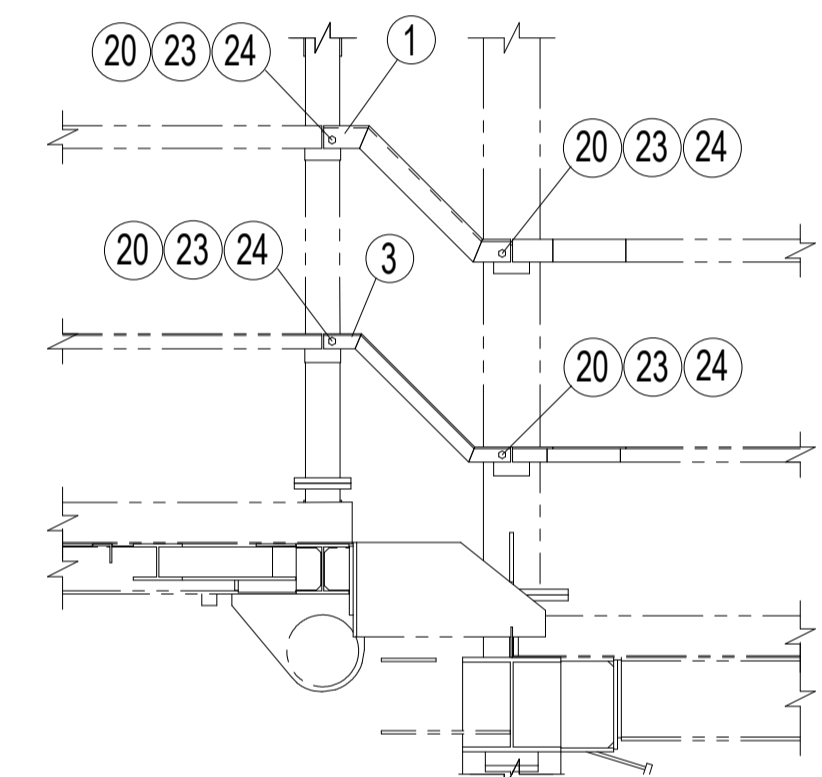
VIEW BY 3D (TT-05)
SCALE: 1:50



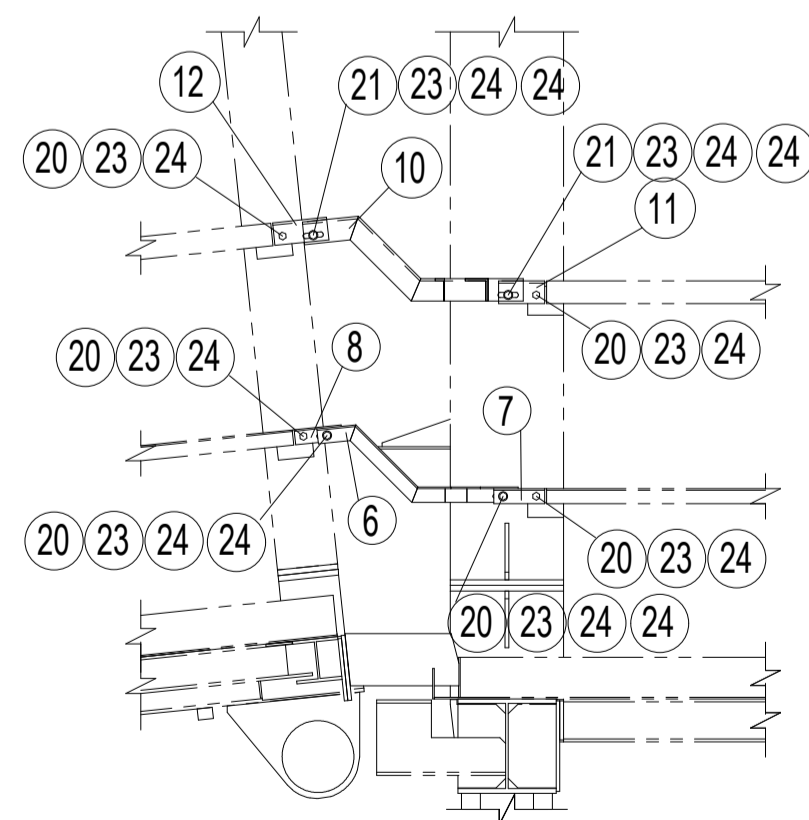
VIEW BY 3D (TT-06)
SCALE: 1:50



VIEW BY E
SCALE: 1:20



VIEW BY F
SCALE: 1:20



VIEW BY C
SCALE: 1:20

PROJECTED	06.03.2018		CUSTOMER
DRAWN	06.03.2018		PROJECT
CHECKED	06.03.2018		SIGNED
		REPLACED BY	NO. PIECES
SCALE	1:20 1:50 1:100	REPLACED BY	REVISION
			0

Teknis Structures