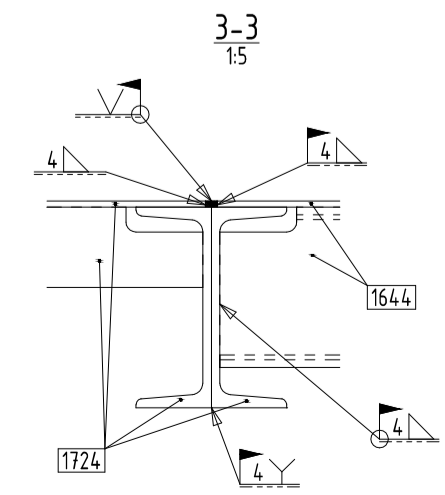
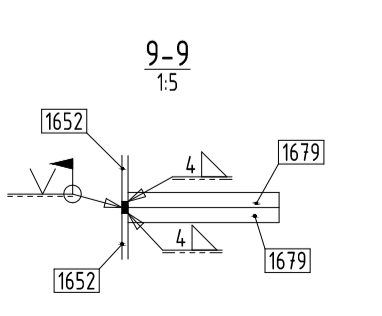
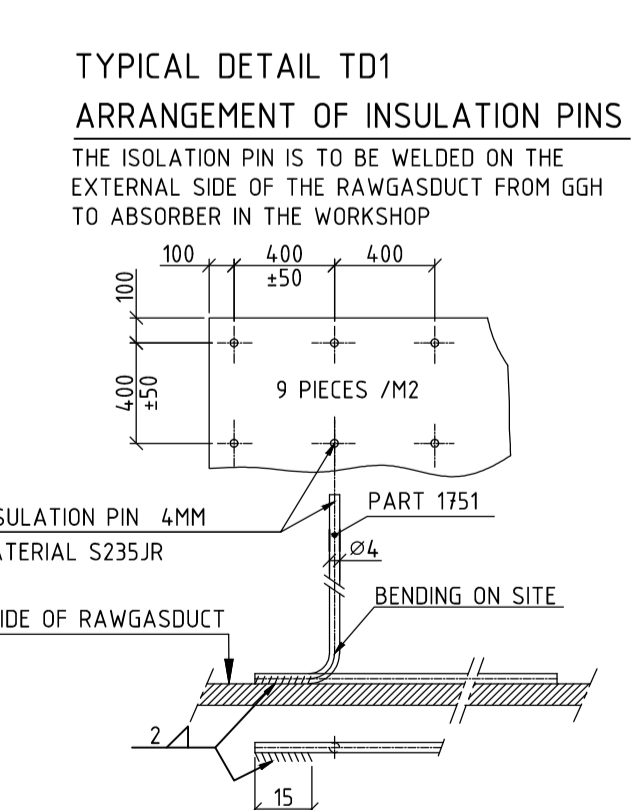
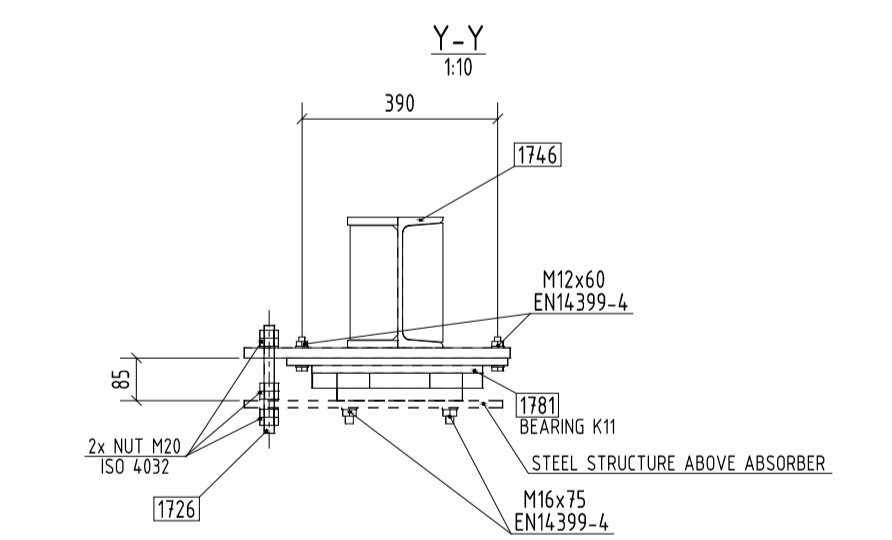
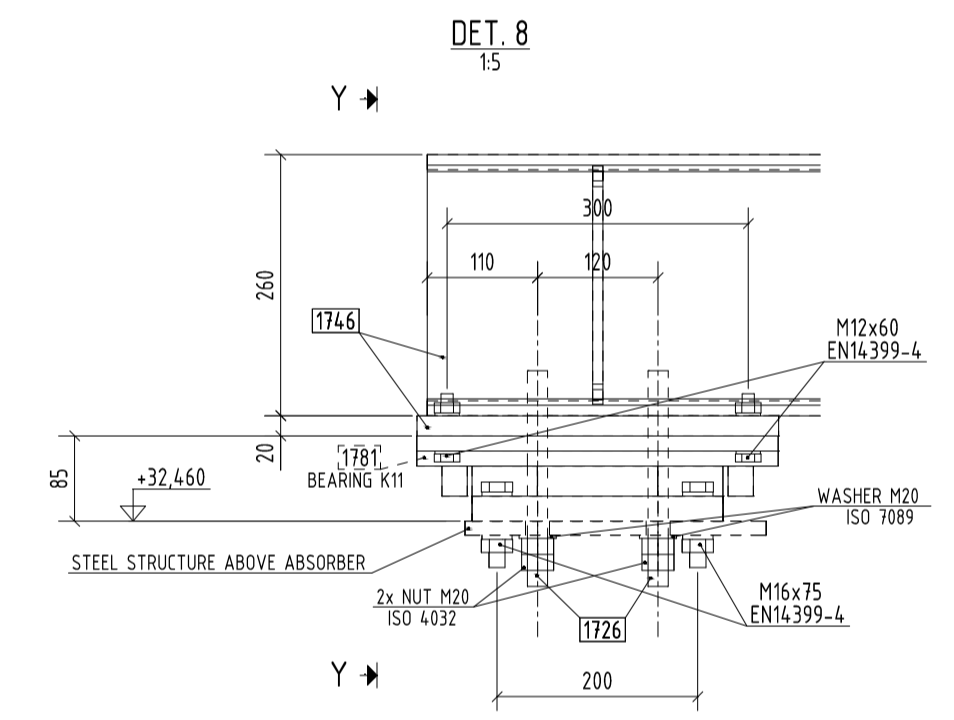
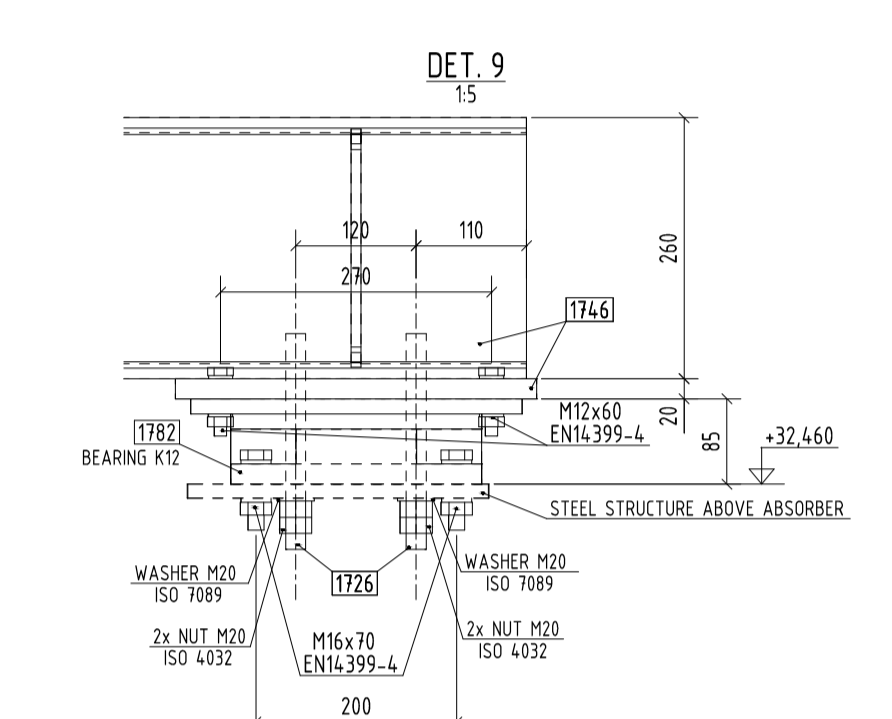
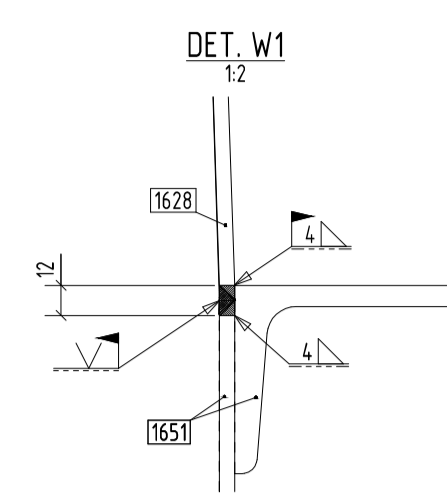
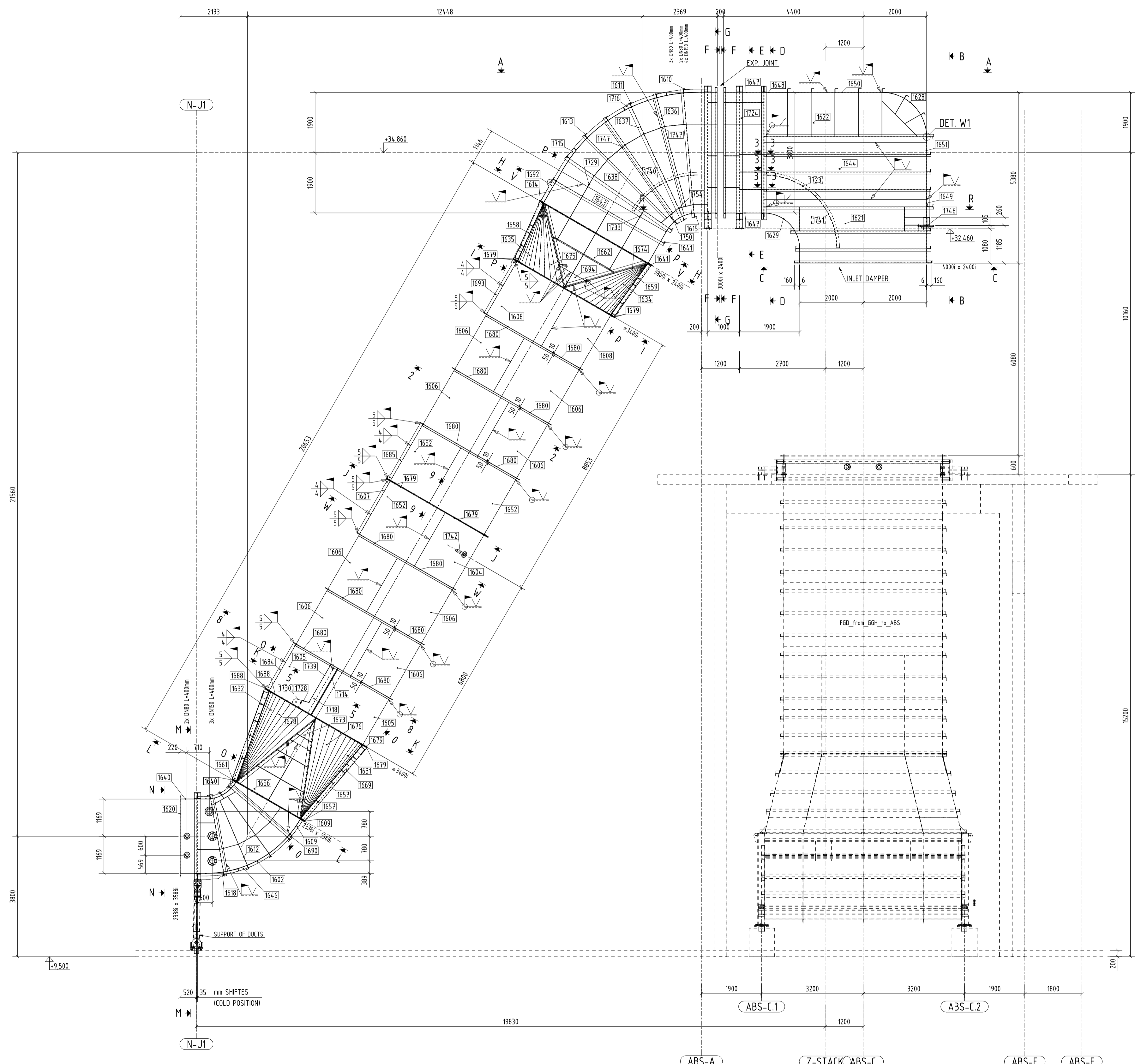


DOCUMENT NO.	DESCRIPTION / TITLE
C-01-830697-141-1430-452-1201	ERECTION DRAWING 2/4
C-01-830697-141-1430-452-1202	ERECTION DRAWING 3/4
C-01-830697-141-1430-452-1203	ERECTION DRAWING 4/4
C-01-830697-141-1430-452-0001	GENERAL DESIGN RULES



NOT SPECIFIED WELDS AND DETAILS TO BE MADE ACCORDING TO DRAWING C-01-830697-141-1430-452-0001.

REV	DESCRIPTION	DATE	PREPARED	CHECKED	DATE	ISSUED
1	BRUNNEN	17.02.2018	BRUNNEN	BRUNNEN	02.09.2018	BRUNNEN
2	BRUNNEN	17.02.2018	BRUNNEN	BRUNNEN	02.09.2018	BRUNNEN
3	BRUNNEN	17.02.2018	BRUNNEN	BRUNNEN	02.09.2018	BRUNNEN
4	BRUNNEN	17.02.2018	BRUNNEN	BRUNNEN	02.09.2018	BRUNNEN
5	BRUNNEN	17.02.2018	BRUNNEN	BRUNNEN	02.09.2018	BRUNNEN