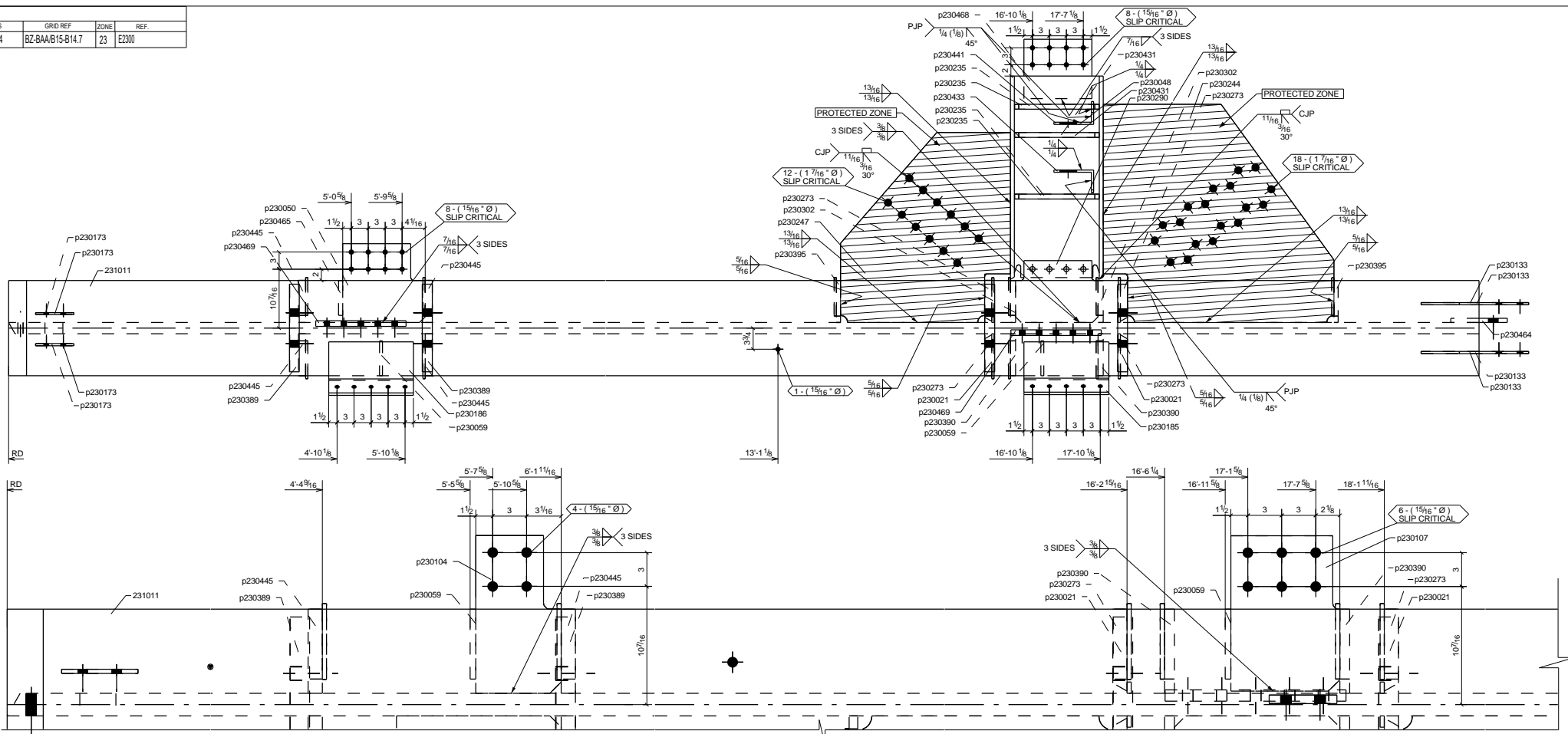
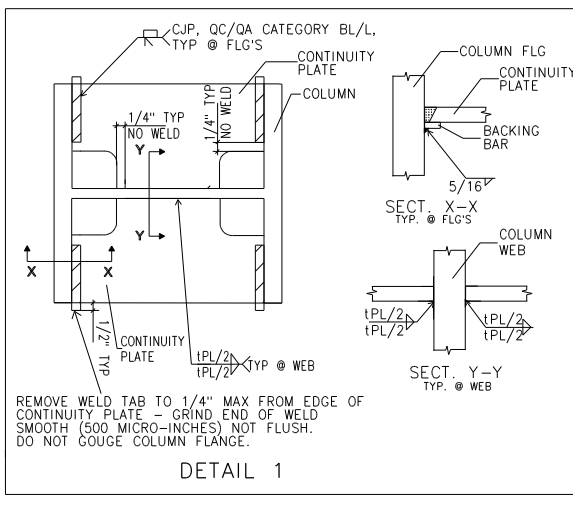
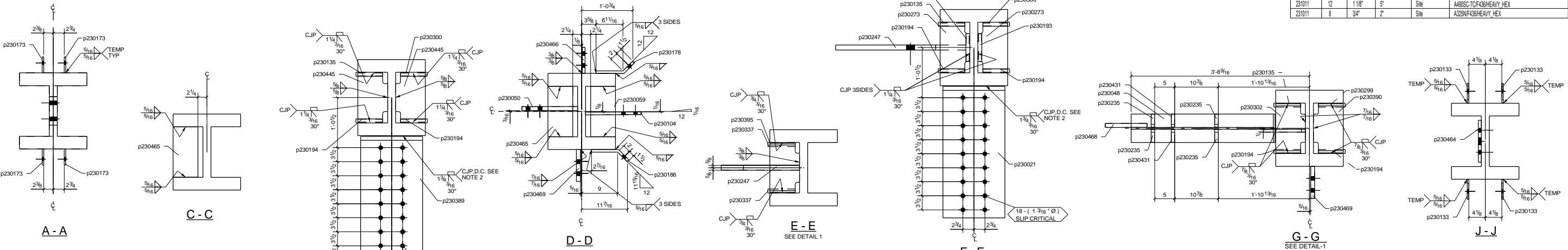


LOCATION				
MARK	QTY	T.O.S	GRD REF	REF
Z31011	1	105'-6"1/4	BZ-BA/B15-B14.7	Z3 E200



DETAIL 2



Profile	d	b	t	w	k
W14X55	19"	16.78"	3.316"	2"	1.412"

WORK THIS DRAWING WITH CONJUNCTION WITH : Z31011

NOTE 2: REMOVE WELD BACKING BACK-GOUGE TO SOUND WELD METAL AND ADD 3/16 MINIMUM FILLET WELD.

PAINT TYPE  
NO PAINT

BILL OF MATERIAL

ABM MARK	SHIPPING MARK	ASSY MARK	NO. REQ'D	DESCRIPTION	LENGTH	GRADE	WEIGHT	REMARKS
23ABM1001 Z31011								
			1					
			1	W14X55	23'-5 1/8"	A992	10513	CS2E
			2	PL 3/4\" X 15 1/2"	2'-8 13/16"	A572-GR 50	497	BC1E
			1	W16X57	2'-11 15/16"	A992	165	CS2E
			1	PL 1\" X 13 15/16"	1'-2 9/16"	A572-GR 50	53	CS2E
			2	PL 1/2\" X 6 3/16"	1'-0 9/16"	A36	22	CS2E
			1	PL 3/4\" X 7 9/16"	1'-1 15/16"	A572-GR 50	20	CS2E
			1	PL 3/4\" X 9 5/8"	1'-1 3/4"	A572-GR 50	27	CS2E
			4	PL 3/8\" X 5"	1'-7"	A36	35	CS2E
			6	PL 3/8\" X 1"	0'-6 11/16"	A36	4	CS2E
			4	PL 3/8\" X 4"	0'-6 3/4"	A36	11	CS2E
			1	BPL 5/8\" X 10 3/16"	1'-0"	A36	22	BENT BC1E
			1	BPL 5/8\" X 8 7/16"	1'-0"	A36	19	BENT BC2E
			1	BPL 5/8\" X 15 1/16"	1'-3"	A36	27	BENT BC1E
			1	BPL 5/8\" X 10 1/16"	1'-3"	A36	27	BENT CS2E
			4	PL 3/8\" X 1"	0'-7"	A36	3	CS2E
			9	PL 3/8\" X 1"	0'-6 11/16"	A36	6	CS2E
			4	PL 7/8\" X 3 5/16"	1'-2 15/16"	A572-GR 50	49	BC1E
			1	PL 1 1/4\" X 38 9/16"	3'-4 13/16"	A572-GR 50	447	BC1E
			1	PL 1 1/4\" X 30 1/16"	2'-9 9/16"	A572-GR 50	284	BC1E
			4	PL 1 1/4\" X 7 1/4"	1'-0 1/4"	A572-GR 50	108	CS2E
			1	PL 3/8\" X 1"	0'-6 11/16"	A36	1	CS2E
			1	PL 3/4\" X 10 15/16"	1'-2 5/8"	A572-GR 50	32	CS2E
			1	PL 3/8\" X 1"	0'-6 11/16"	A36	1	CS2E
			5	PL 3/8\" X 1"	0'-6 11/16"	A36	4	CS2E
			2	PL 7/8\" X 7 7/16"	1'-0 1/4"	A572-GR 50	40	CS2E
			4	PL 3/8\" X 1"	0'-6 13/16"	A36	3	CS2E
			2	PL 1 3/4\" X 15 1/2"	2'-8 13/16"	A572-GR 50	497	BC1E
			2	PL 7/8\" X 7 7/16"	1'-0 1/4"	A572-GR 50	40	CS2E
			2	PL 3/8\" X 1"	0'-6 11/16"	A36	1	CS2E
			2	PL 3/4\" X 7 7/16"	1'-0 1/4"	A572-GR 50	35	CS2E
			2	PL 7/8\" X 3 5/16"	1'-2 15/16"	A572-GR 50	24	CS2E
			1	L7X4X3/8	2'-1 13/16"	A36	29	CS2E
			1	L7X4X3/8	2'-1 13/16"	A36	29	CS2E
			4	PL 1 1/4\" X 7 7/16"	1'-0 1/4"	A572-GR 50	114	CS2E
			1	PL 3/4\" X 10"	0'-10 1/2"	A572-GR 50	22	CS2E
			1	PL 3/4\" X 6 3/16"	1'-0 9/16"	A572-GR 50	17	CS2E
			1	PL 3/4\" X 6 1/2"	0'-9"	A572-GR 50	12	CS2E
			1	PL 3/4\" X 6"	0'-6 1/2"	A572-GR 50	8	CS2E
			1	PL 1\" X 10 1/2"	1'-0"	A572-GR 50	36	CS2E
			2	PL 1\" X 8"	1'-4"	A572-GR 50	73	CS2E
							TOTAL =	13360

BOLT SUMMARY - QTY'S ARE FOR ONE ASSEMBLY ONLY

ASSEMBLY	NO. REQ'D	Ø	LENGTH	WORKSHOP SITE	BOLT GRADE	REMARKS
Z31011	4	7/8"	2 1/2"	Workshop	A308CP480HEAVY HEX	
Z31011	18	1 1/8"	5 1/2"	Site	A308CP480HEAVY HEX	SLIP CRITICAL
Z31011	12	1 1/8"	5"	Site	A308CP480HEAVY HEX	SLIP CRITICAL
Z31011	8	3/4"	2"	Site	A308NF480HEAVY HEX	

08/08/2019 RELEASED FOR FABRICATION

03/13/2019 RE-ISSUED FOR APPROVAL

01/25/2019 ISSUED FOR APPROVAL

NO BACK CHARGES WILL BE ACCEPTED WITHOUT PRIOR AUTHORIZATION IN WRITING

NOTE:

MATERIAL: A992 (U.N.O.)	SSPC: SP-3
BOLT: A325 (U.N.O.)	WELD: 3/16\" (U.N.O.)
HOLE SIZE: 15/16\" (U.N.O.)	ELECTRODE: E70XXX
JOB NAME & LOCATION: Spanish Peaks Lodge 995 Settlement Trail Big Sky, MT 59716	
ARCH: Hart Howerton	
ENGR: NISHKIAN MENNINGER	
CONTR: Suffolk Construction	
REF: E200	JOB NO: 1863
DRAWN BY: KSA 01/25/2019	CHECKED BY: DK 01/25/2019
SHEET TITLE: COLUMN	
JOB NO. 1863 DWG. NO. 231011-1	