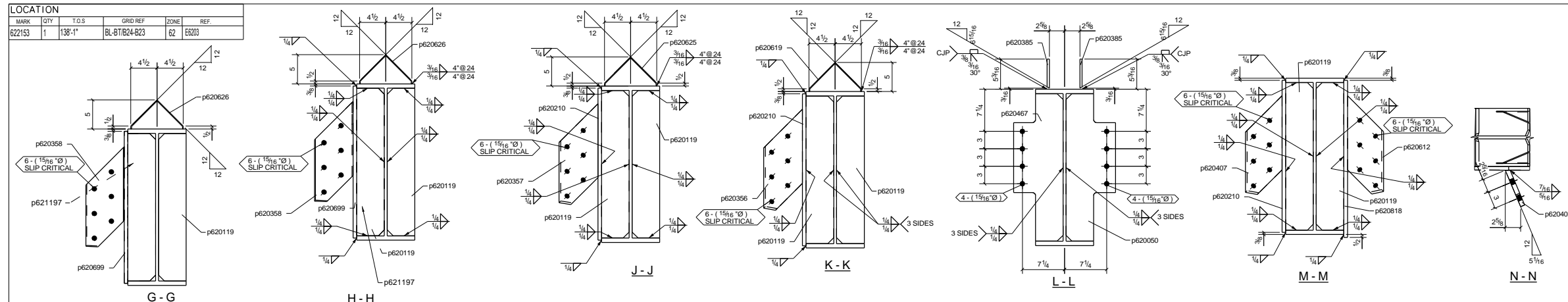
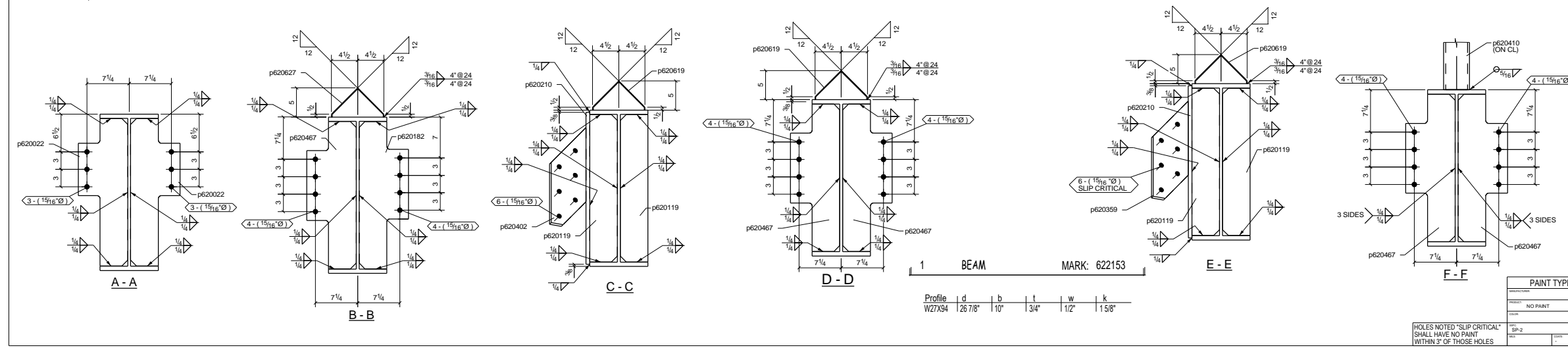
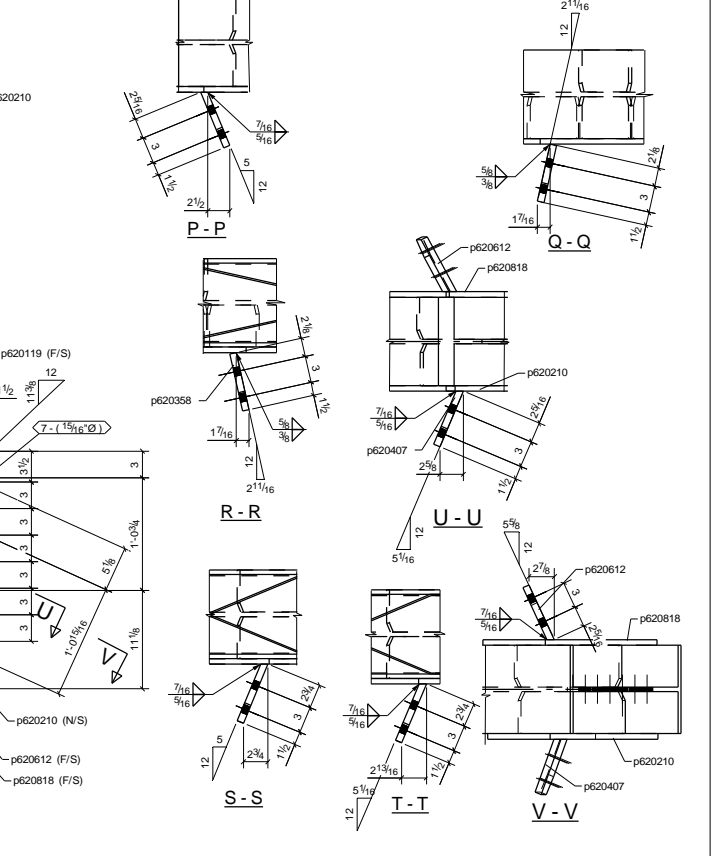
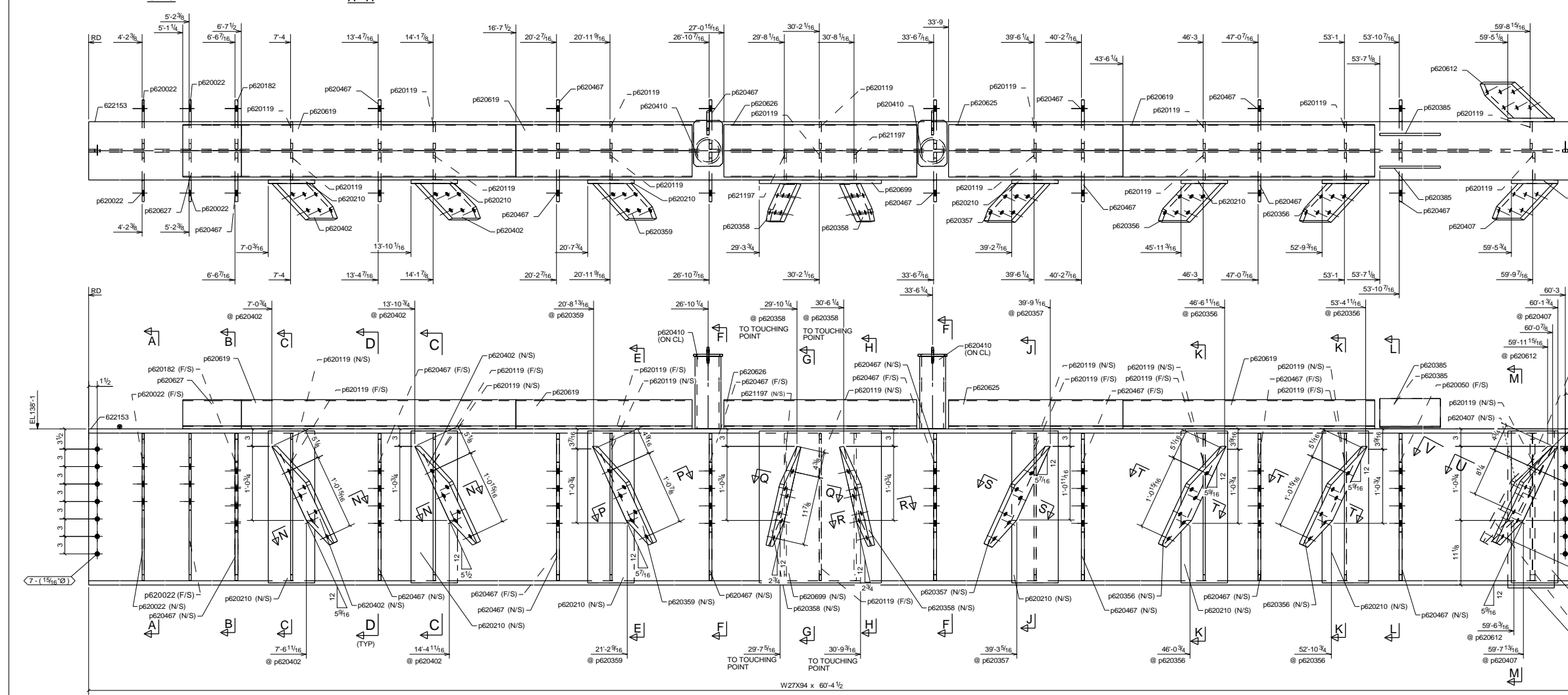




LOCATION					
MARK	QTY	T.O.S	GRID REF	ZONE	REF
622153	1	138'-1"	BL-BT/B24-B23	62	E6203



BILL OF MATERIAL									
ABM MARK	SHIPPING MARK	ASSY MARK	NO. REQ'D	DESCRIPTION	LENGTH	GRADE	WEIGHT	REMARKS	
622153			1	W27X94	60'-4 1/2"	A992	5689		CS2E
p620022			4	PL3/8\"/>					

BOLT SUMMARY - QTY'S ARE FOR ONE ASSEMBLY ONLY					
ASSEMBLY	NO. REQ'D	DIA.	LENGTH	WORKSHOP SITE	BOLT GRADE
622153	14	7/8"	2 3/4"	Site	A490/CP46HEAVY_HEX



04/27/2020	RE-ISSUED FOR APPROVAL
12/24/2019	ISSUED FOR APPROVAL
NO BACK CHARGES WILL BE ACCEPTED WITHOUT PRIOR AUTHORIZATION IN WRITING	
NOTE:	
MATERIAL: A992 (U.N.O.)	SSPC: SP-3
BOLT: A325 (U.N.O.)	WELD: 3/16" (U.N.O.)
HOLE SIZE: 15/16" (U.N.O.)	ELECTRODE: E70XXX
 	
JOB NAME & LOCATION: Spanish Peaks Lodge 995 Settlement Trail Big Sky, MT 59716	
ARCH: Hart Howerton	ENGR: NISHKIAN MENNINGER
CONTR: Suffolk Construction	
REF: E6203	JOB NO: 1863
DRAWN BY: KSA 12/24/2019	CHECKED BY: DK 12/24/2019
SHEET TITLE: BEAM	DWG NO: 622153

Profile	d	b	t	w	k
W27X94	26 7/8"	10"	3 1/4"	1 1/2"	1 1/8"

PAINT TYPE  
NO PAINT  
SP-2

HOLES NOTED "SLIP CRITICAL" SHALL HAVE NO PAINT WITHIN 3" OF THOSE HOLES