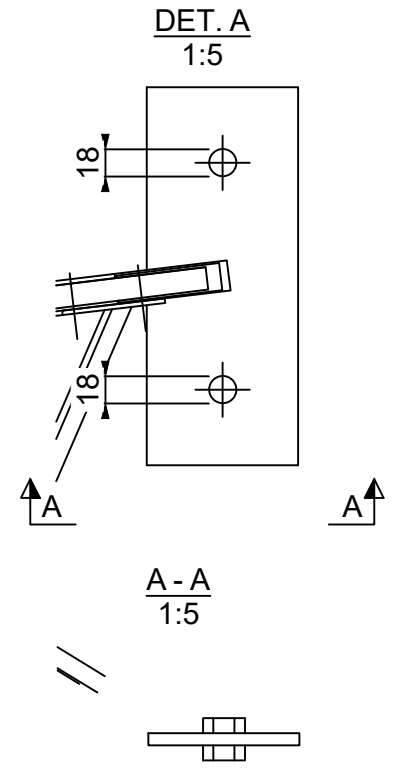
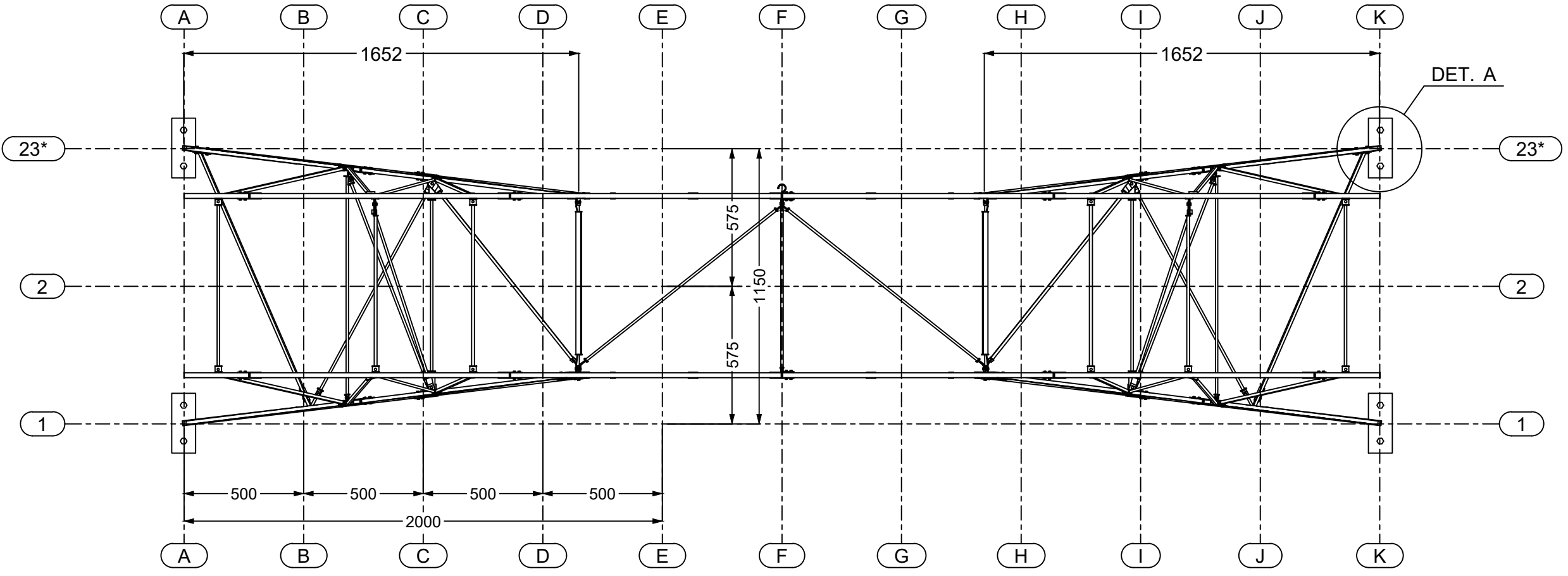
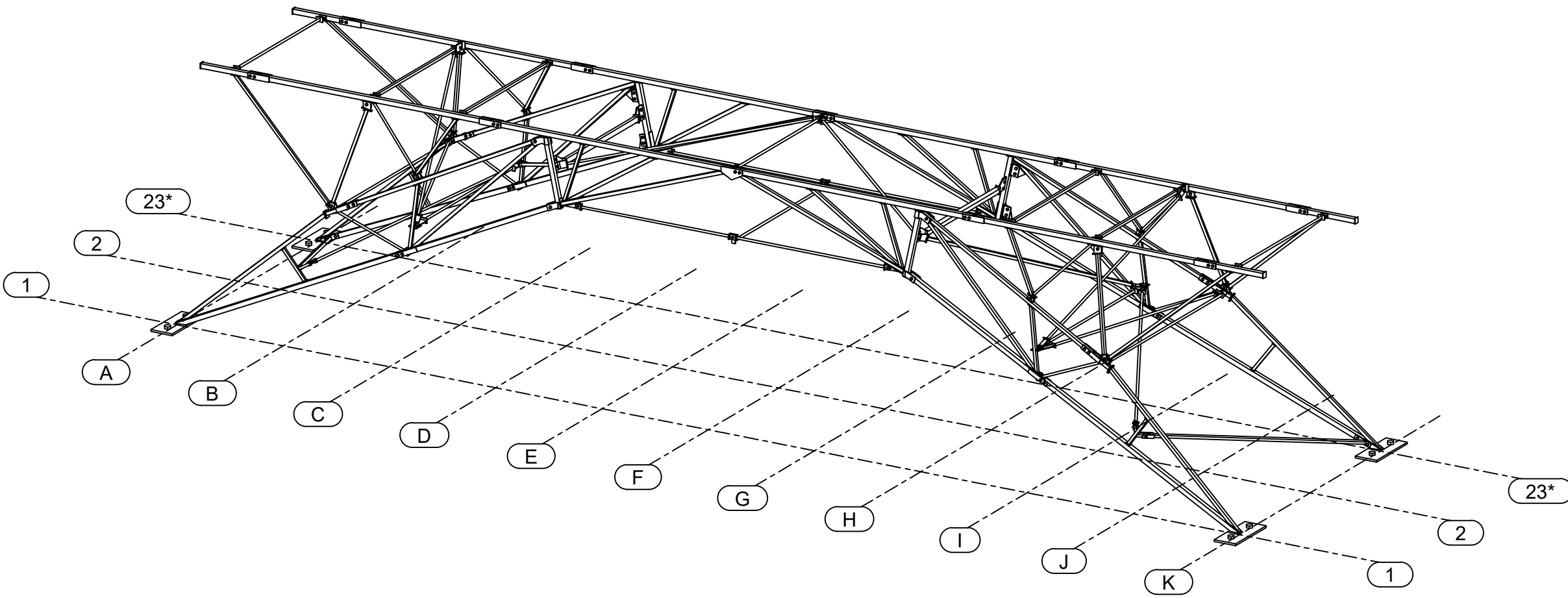



TOP VIEW  
1:20



ISOMETRIC VIEW  
1:20



DESIGNED BY TEAM COBBLESTONE SILESIAN UNIVERSITY OF TECHNOLOGY ul. Akademicka 5, 44-100 Gliwice		
PROJECT BRICO2020 THE NORDIC STEEL BRIDGE COMPETITION TALLINN ESTONIA		
INVESTOR		
DRAWN BY Grzegorz Fulczyk		
STUDENT CLUB FUTURE STRUCTURAL ANALYSES ASSOCIATED WITH DEPARTMENT OF MECHANICS AND BRIDGES		
INDUSTRY - PHASE Building industry - Preliminary design		
PROJECT NUMBER 2020/BRC	DRAWING NUMBER BRC-1-001	
SCALE 1:5	DRAWING TITLE ISOMETRIC AND TOP VIEW	
DATE 06.02.2020		