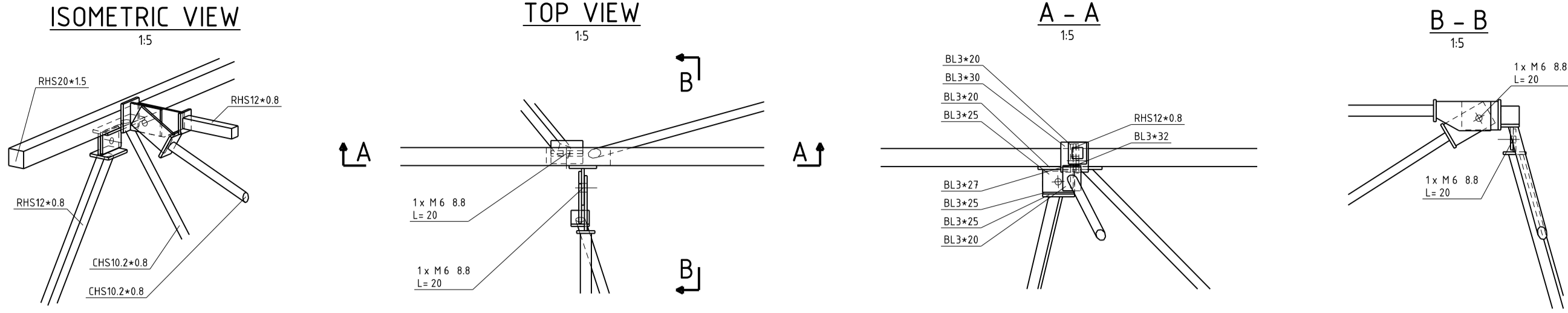
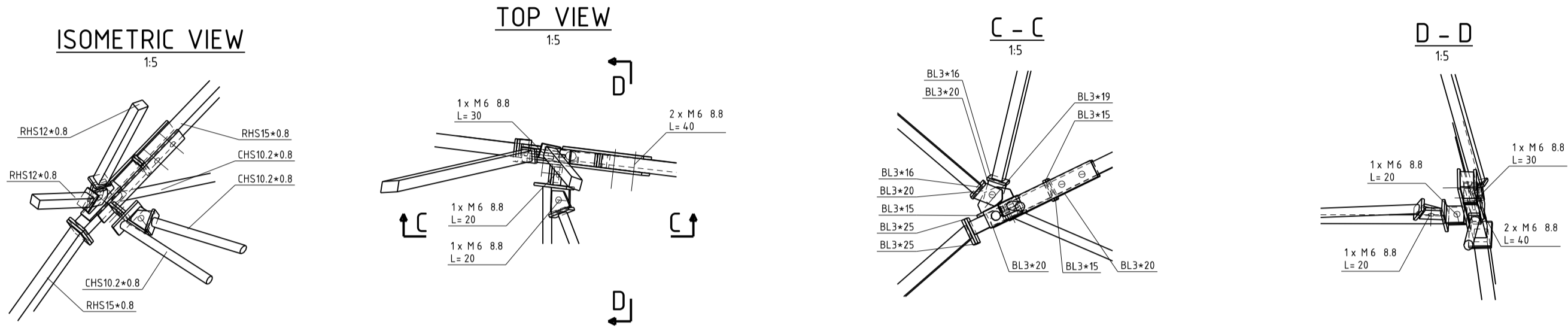


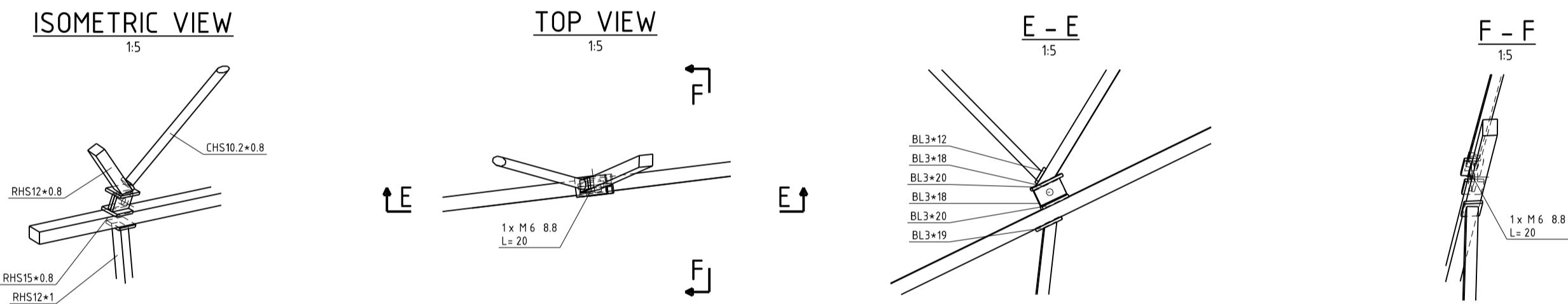
**CONNECTION F**



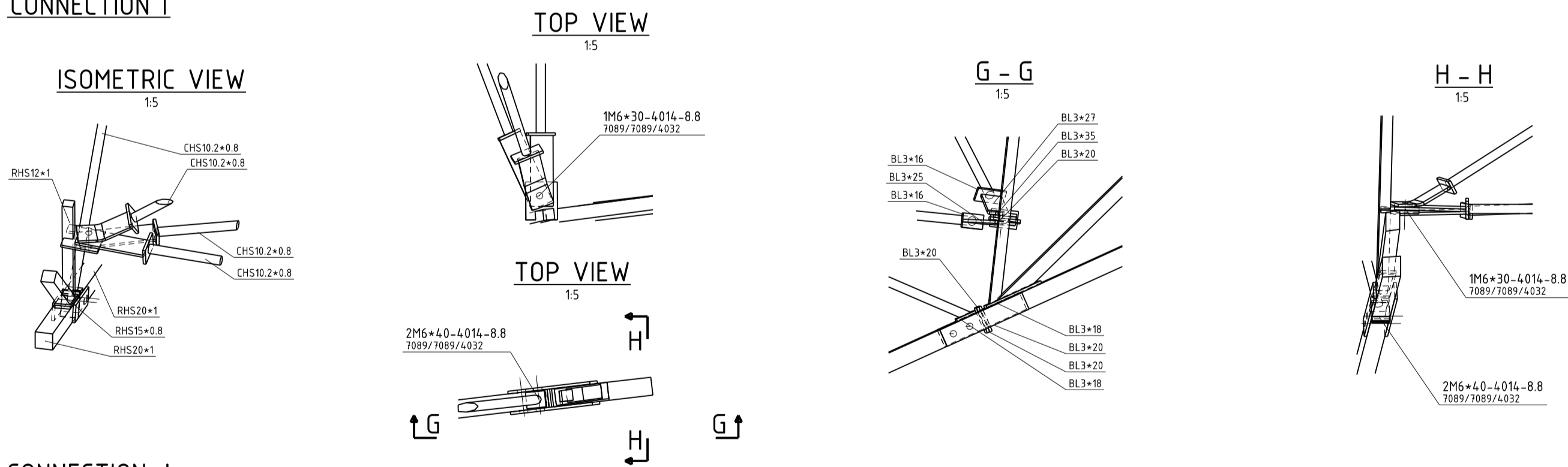
**CONNECTION G**



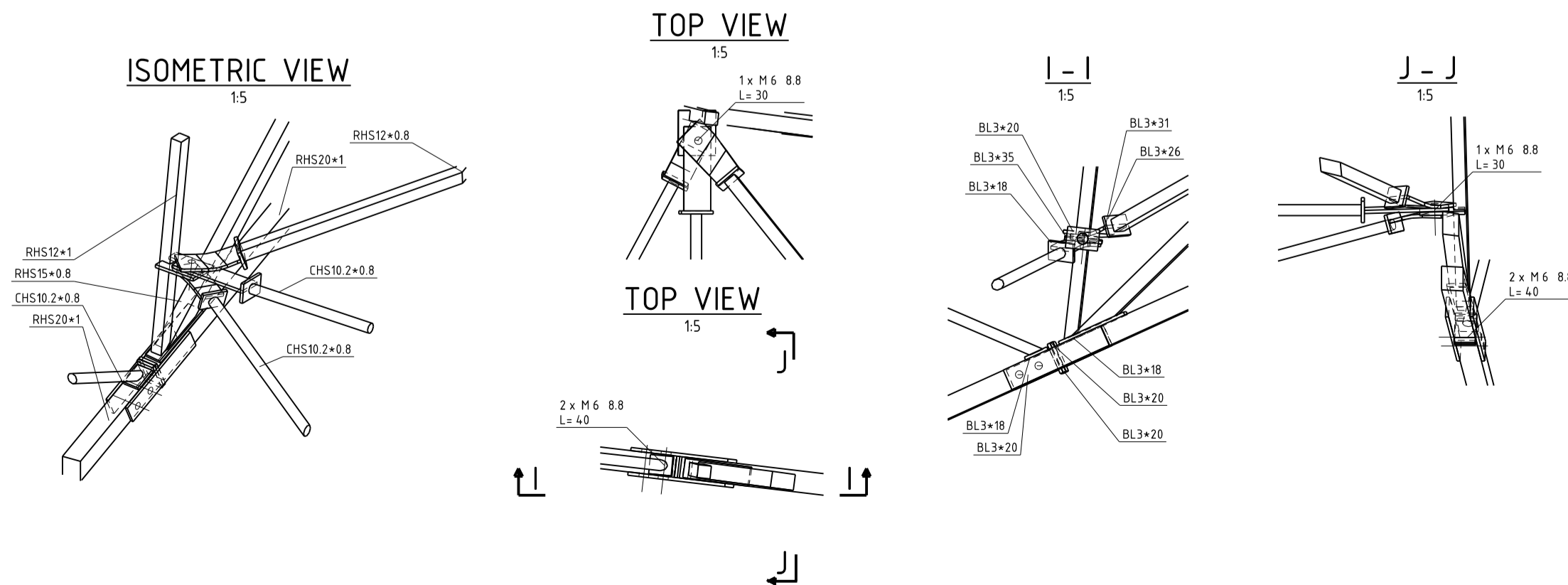
**CONNECTION H**



**CONNECTION I**



**CONNECTION J**



DESIGNED BY TEAM COBBLESTONE SILESIA UNIVERSITY OF TECHNOLOGY ul. Akademicka 5, 44-100 Gliwice	
PROJECT BRICO2020 THE NORDIC STEEL BRIDGE COMPETITION TALLINN ESTONIA	
INVESTOR	
DRAWN BY	
STUDENT CLUB FUTURE STRUCTURAL ANALYSES ASSOCIATED WITH DEPARTMENT OF MECHANICS AND BRIDGES	
INDUSTRY - PHASE Building industry - Preliminary design	
PROJECT NUMBER 2020/BRC	DRAWING NUMBER BRC-1-005
SCALE 1:5	DRAWING TITLE CONNECTIONS DETAILS 2
DATE 26.01.2020	