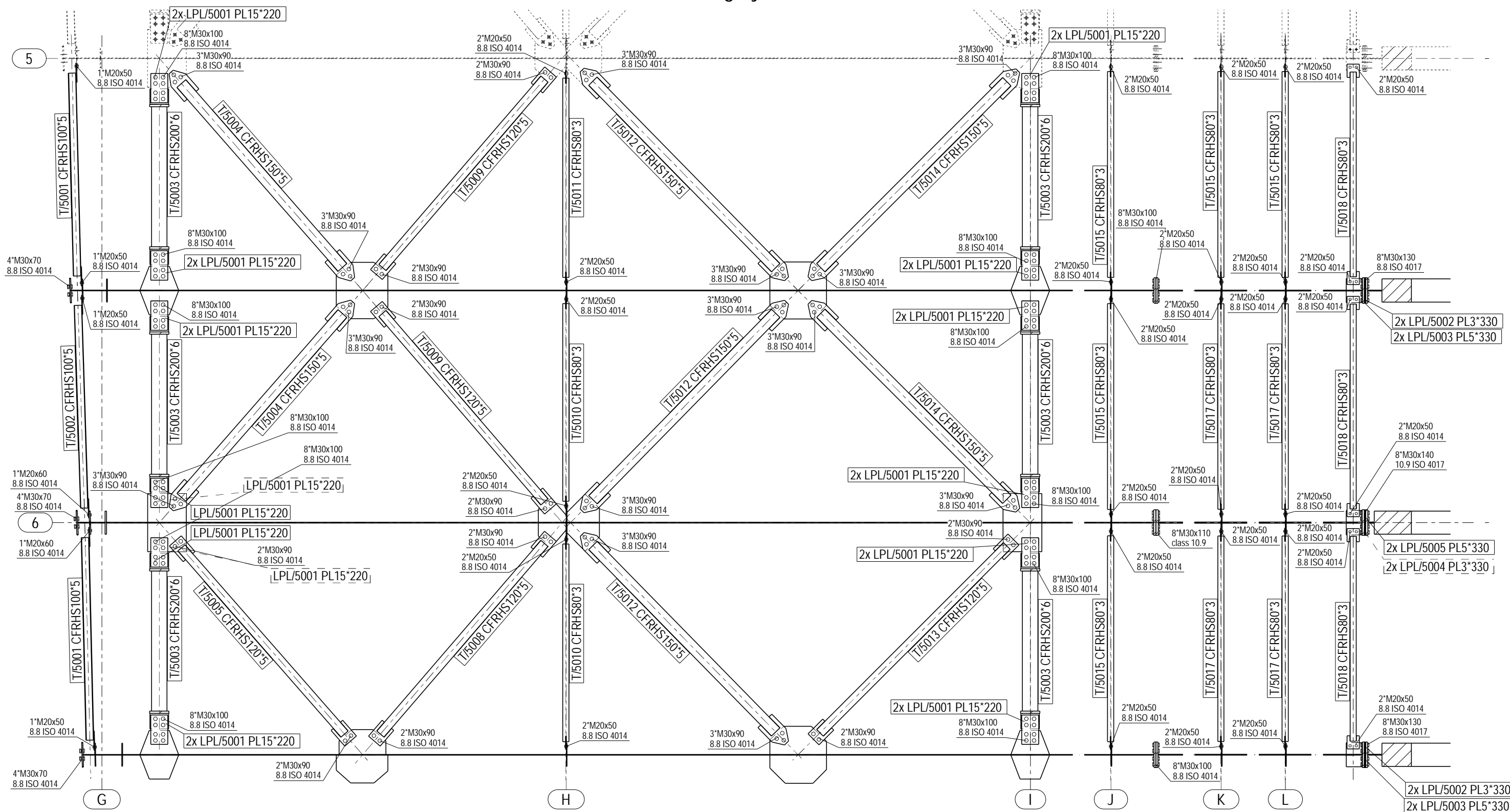
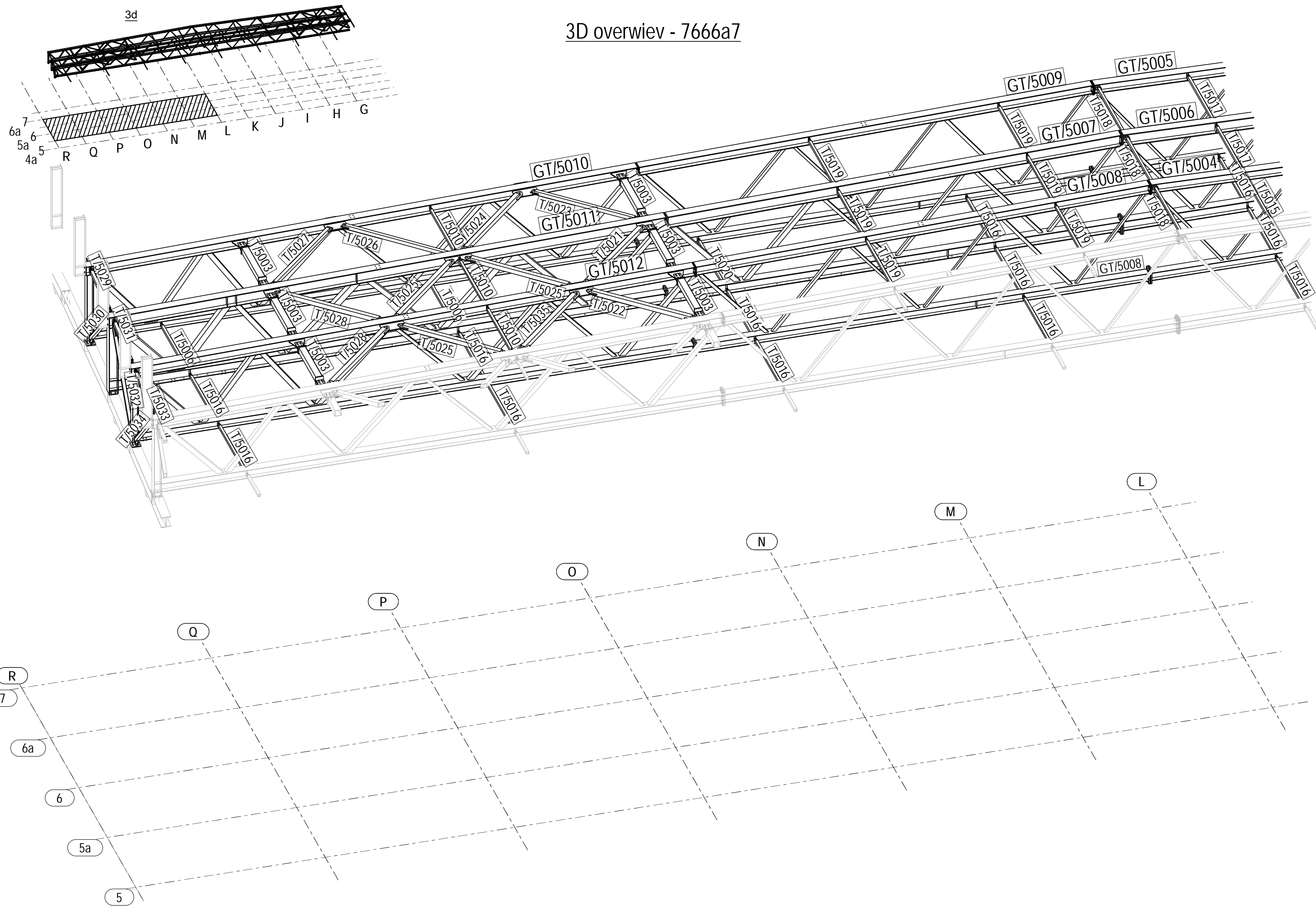


Roof bracing system GL5a-7 / G-L



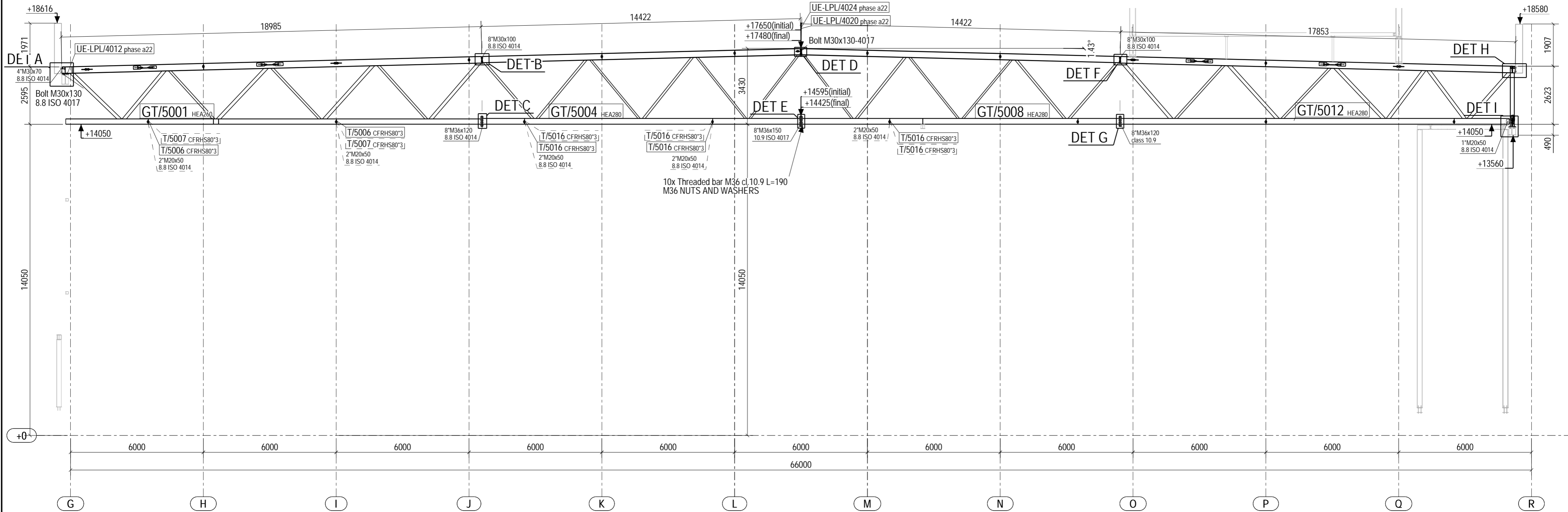
3D overview - 7666a7

3d

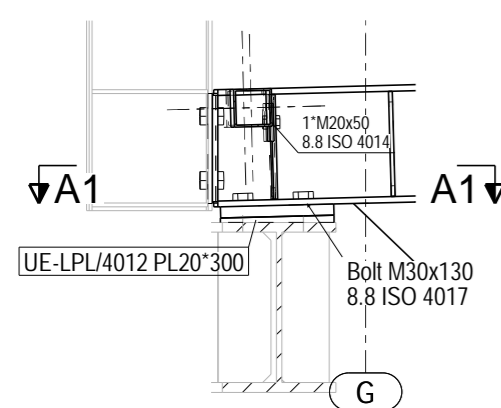


CAMBER = 170mm

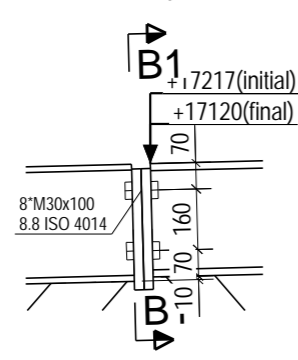
GRIDLINE 5a



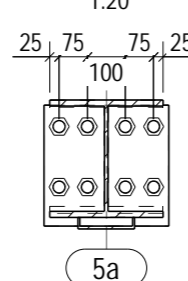
DETAIL A
1:20



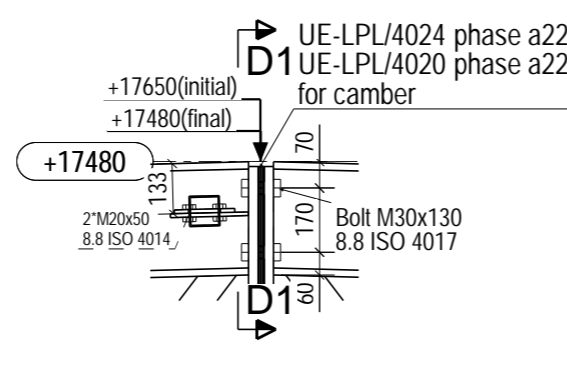
DETAIL B
1:20



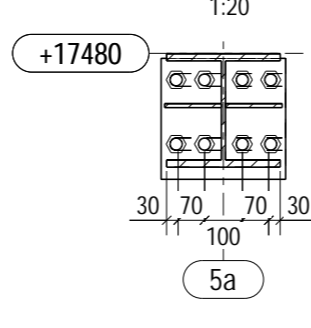
B1 - B1
1:20



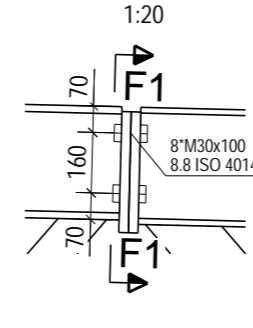
DETAIL D
1:20



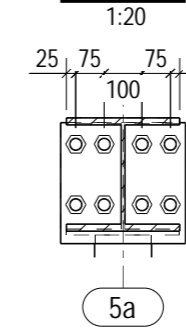
D1 - D1
1:20



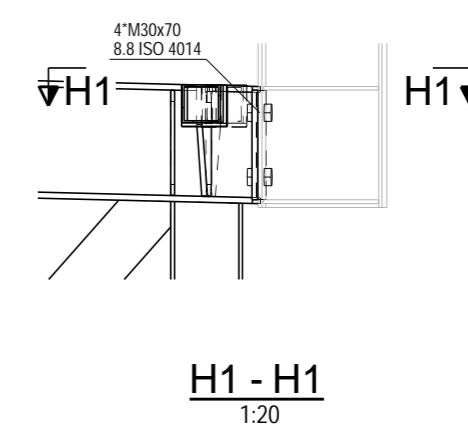
DETAIL F
1:20



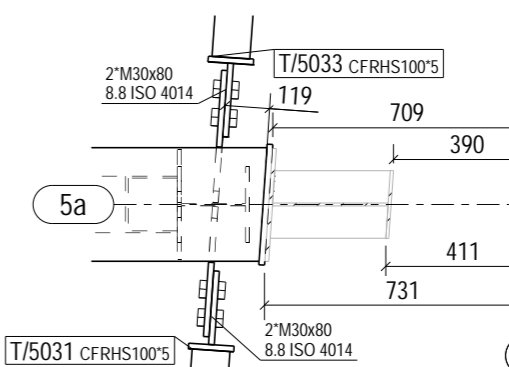
F1 - F1
1:20



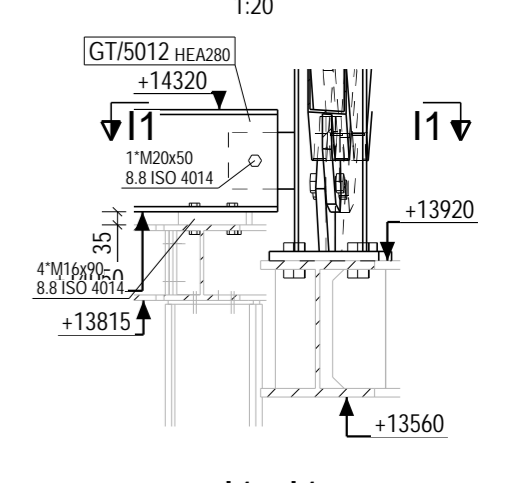
DETAIL H
1:20



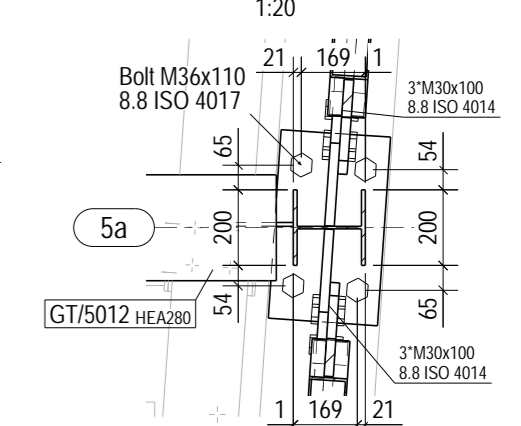
H1 - H1
1:20



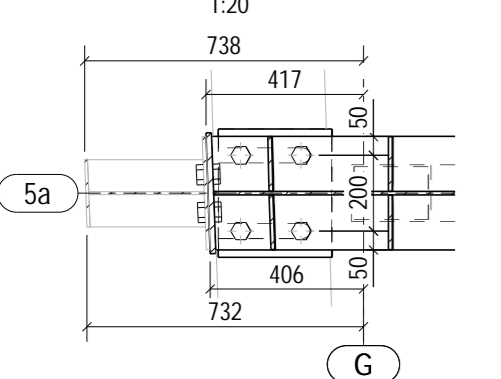
DETAIL I
1:20



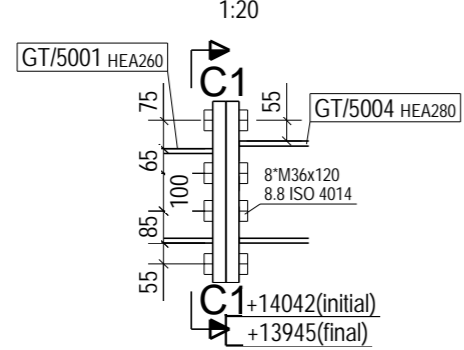
I1 - I1
1:20



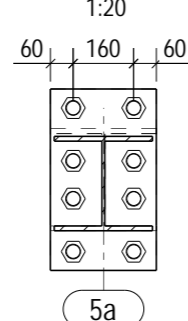
A1 - A1
1:20



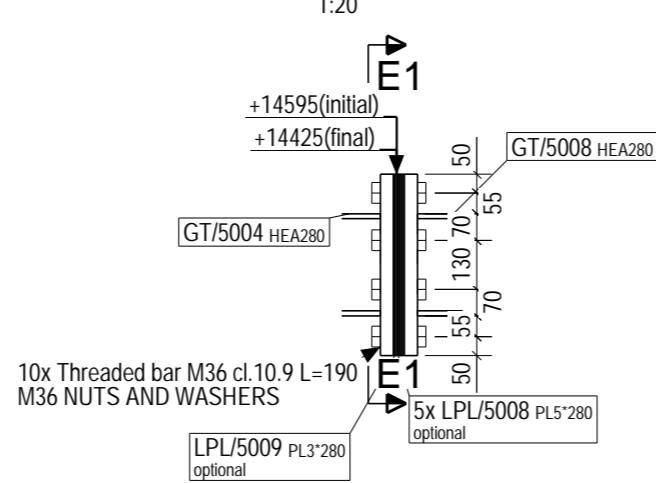
DETAIL C
1:20



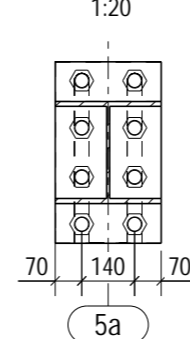
C1 - C1
1:20



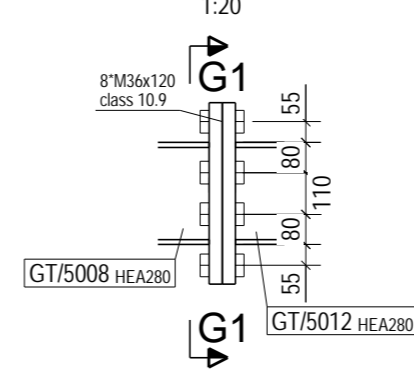
DETAIL E
1:20



E1 - E1
1:20



DETAIL G
1:20



G1 - G1
1:20

