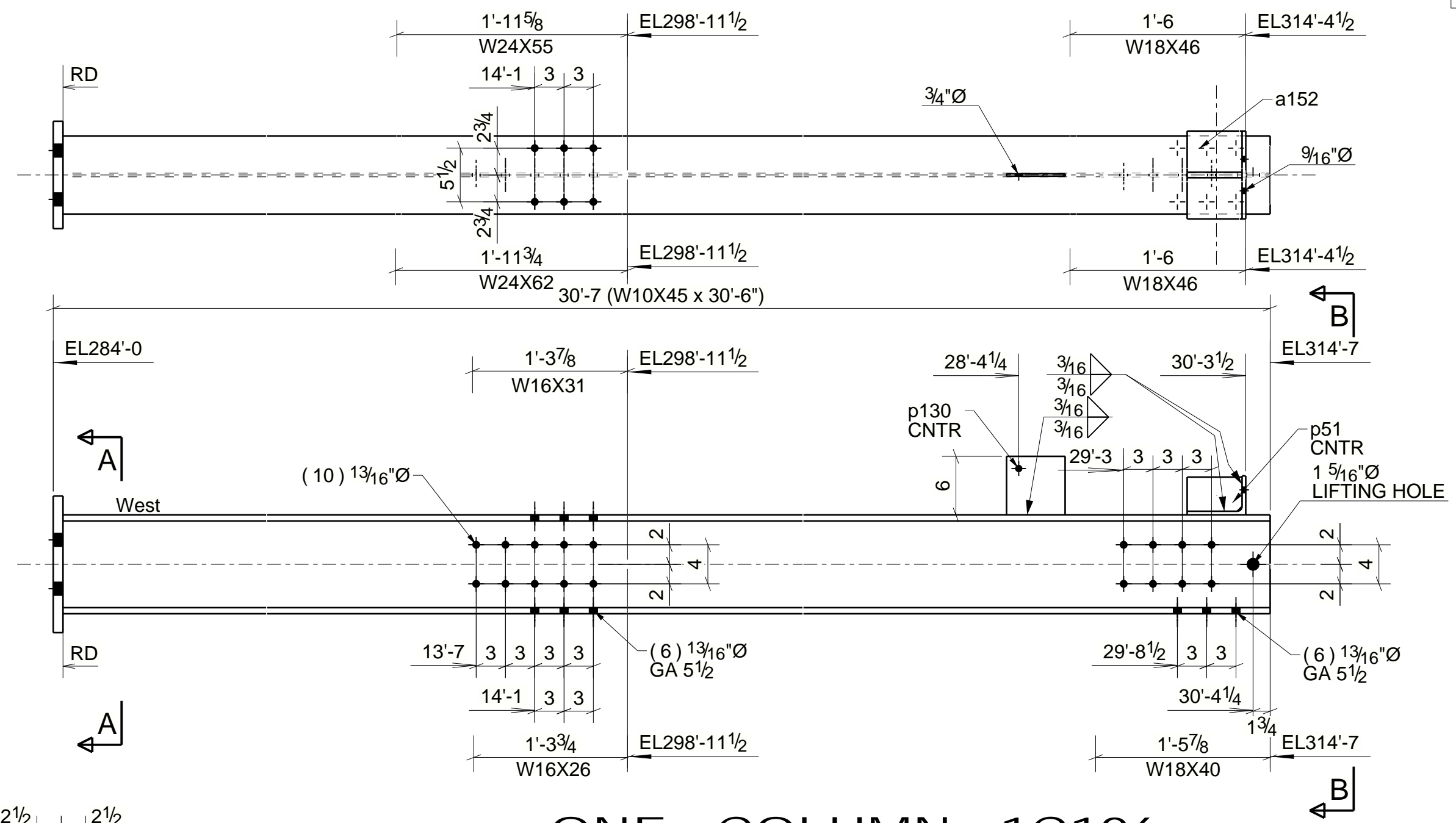
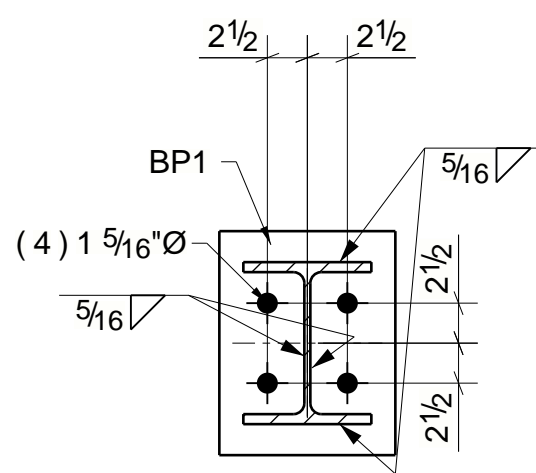


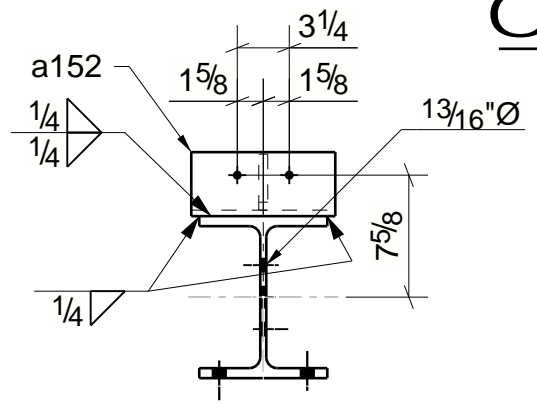
REF. NUMBER
ABM79



ONE - COLUMN - 1C106



SECTION A - A



SECTION B - B

BILL OF MATERIAL										
SEC	SHIPPING BILL			SHOP BILL						
	NO.	ERECTION MARK		NO.	SHAPE	MATERIAL GRADE	LENGTH	ASSY. MARK	REMARKS	WEIGHT
1	1	1C106			COLUMN				SQ-2	
			1		W10X45	A992	30'-6"	1C106	STD PRIMER	1381
			1		PL1"X11"	A36	1'-2"	BP1		44
			1		L6X4X3/8	A36	0'-9"	a152		9
			1		PL9/16"X3 1/2"	A36	0'-5 5/8"	p51		3
			1		PL1/4"X6"	A36	0'-6"	p130		3
TOTAL WEIGHT THIS DRAWING										1439

ALAMO
STRUCTURAL STEEL
2784 OLD DALLAS RD.
WACO, TEXAS 76705
PHONE: 254 799 2471
FAX: 254 799 6227

FIELD CONN	HOLES (U.N.)	
3/4 A325N_TC	13/16"	
SURFACE PREP	SHOP PAINT	
SSPC-SP2	STD PRIMER	
DATE	DET	CHK
01/15/20	WKB	AJM
JOB NO.	DRAWING NO.	
32-19037	1C106	

0	01/15/20	ISSUED FOR FABRICATION
A	12/03/19	ISSUED FOR APPROVAL
REV #	DATE	DESCRIPTION

REVISION AND ISSUE RECORD

PROJECT SFA Basketball facility
CUSTOMER KDW
LOCATION NACOGDOCHES, TX 75964
ARCH/ENG POPULOUS