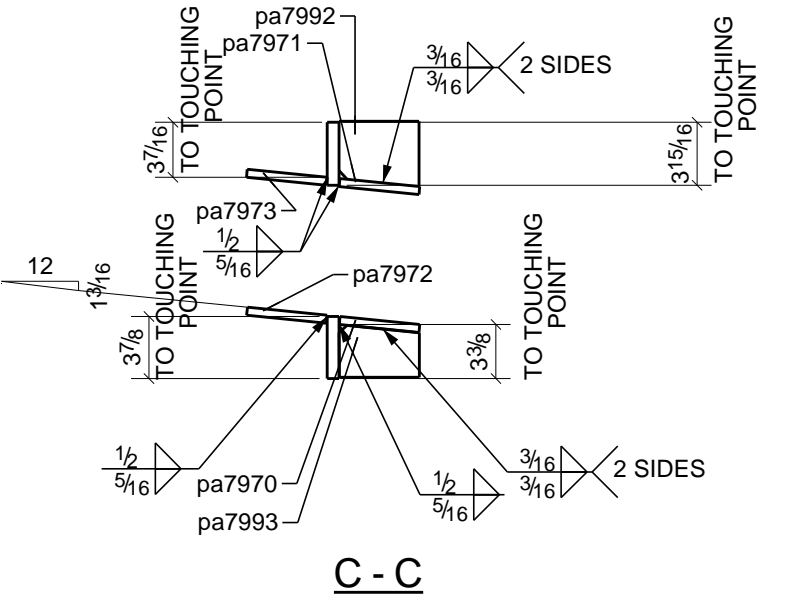
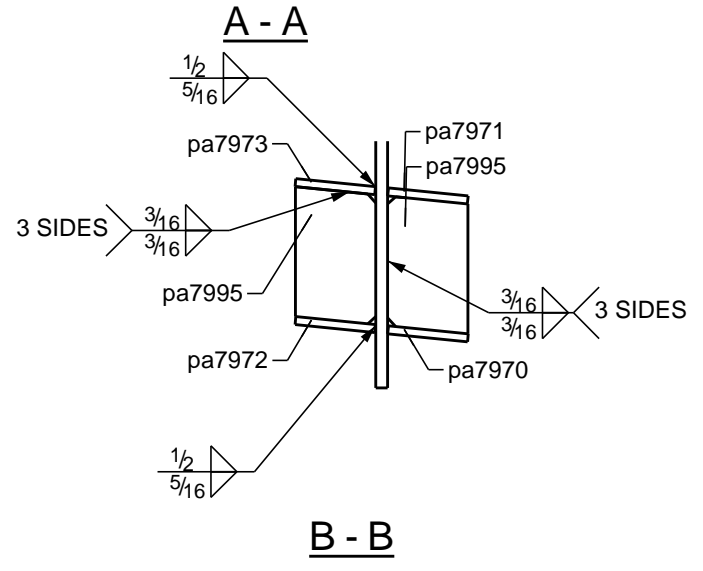
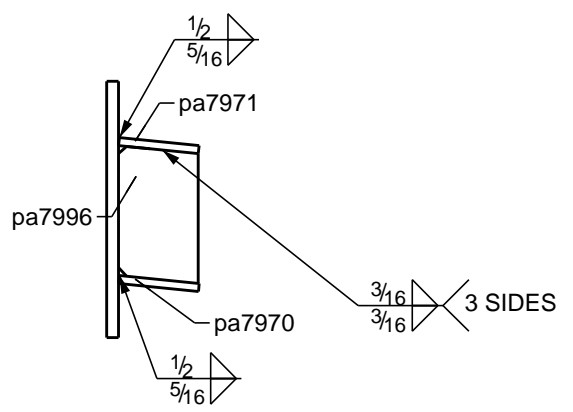


HOLES NOTED "SLIP CRITICAL" SHALL HAVE NO PAINT WITHIN 3" OF THOSE HOLES

SYMBOL ⊗ INDICATE CONNECTION SIDE



ONE - PLATE - 35189A

QTY	MATERIAL	LENGTH	MARK		FINISH	ABM MARK	REMARKS
			TEMP	SHIP			
1				35189A	0		A572-GR.50
2	PL3/4"X16"	2'-2 1/8"		35189A			A572-GR.50
3	FB1/2"X5"	2'-1 1/2"		pa7970			A572-GR.50
4	FB1/2"X5"	2'-1 13/16"		pa7971			A572-GR.50
5	FB1/2"X5"	1'-4 1/4"		pa7972			A572-GR.50
6	FB1/2"X5"	1'-4 1/2"		pa7973			A572-GR.50
7	PL3/8"X4 1/16"	0'-5"		pa7992			A572-GR.50
8	PL3/8"X3 1/4"	0'-5"		pa7993			A572-GR.50
9	FB3/8"X5"	0'-8 9/16"		pa7995			A572-GR.50
10	PL3/8"X4 15/16"	0'-8 9/16"		pa7996			A572-GR.50
11							
12							

ERECTOR / CONTRACTOR NOTE!!!
 1. BACKCHARGES FOR CORRECTIVE WORK OR REPLACEMENT OF MATERIAL WILL NOT BE ACCEPTED UNLESS AUTHORIZED BY BECK STEEL, INC. BEFORE SUCH COSTS ARE INCURRED.
 2. CLOUDED AREAS ARE FOR VERIFICATION, AND IF NOT MARKED, WILL BE ASSUMED CORRECT AS SHOWN!

FIELD BOLTS / BUYOUTS							
QTY	SIZE	LENGTH	REMARKS	QTY	SIZE	LENGTH	REMARKS

REV#	DATE	DESCRIPTION OF REVISION	DET BY	CHK BY
A	07/31/2020	ISSUED FOR APPROVAL	KSL	BLU

BOLTS: A325 X-TC (U.N.O.) HOLES: 1" 1/16 (U.N.O.) REF.:
 FAB. SPEC: A992 (U.N.O.) SURFACE PREP: 0
 SHOP PAINT: 0



DESCRIPTION: PLATE
 STRUCTURE: ORANGE COUNTY MUSEUM OF ART
 LOCATION: 3333 AVENUE OF THE ARTS, COSTA MESA, CA 92626
 ARCHITECT: Morphosis
 CUSTOMER: Clark Construction
 DWG. BY: HS DATE: 08/04/2020
 CHECKED BY: BLU DATE: 08/04/2020
 SHEET: 35189A
 JOB NO. 1945