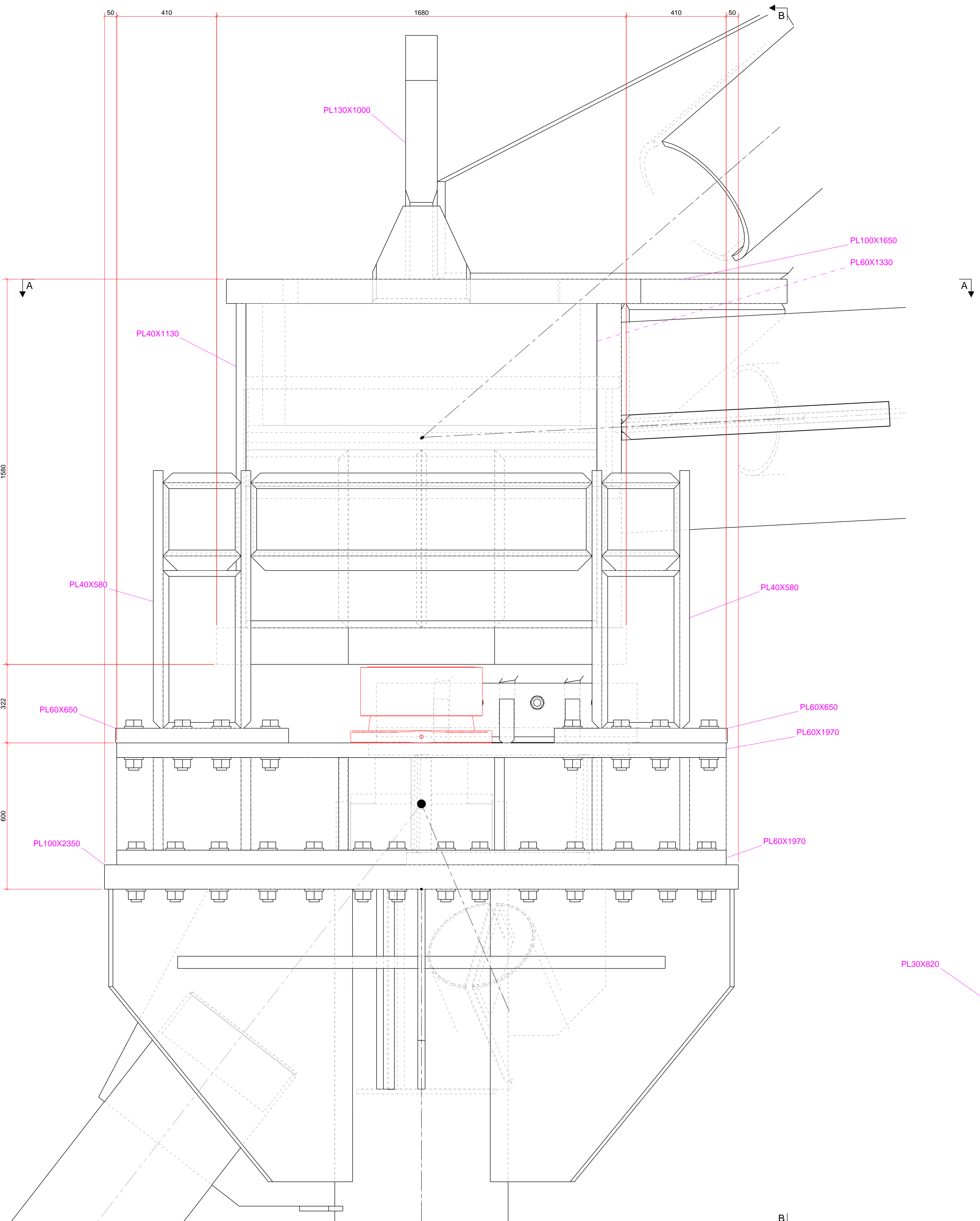
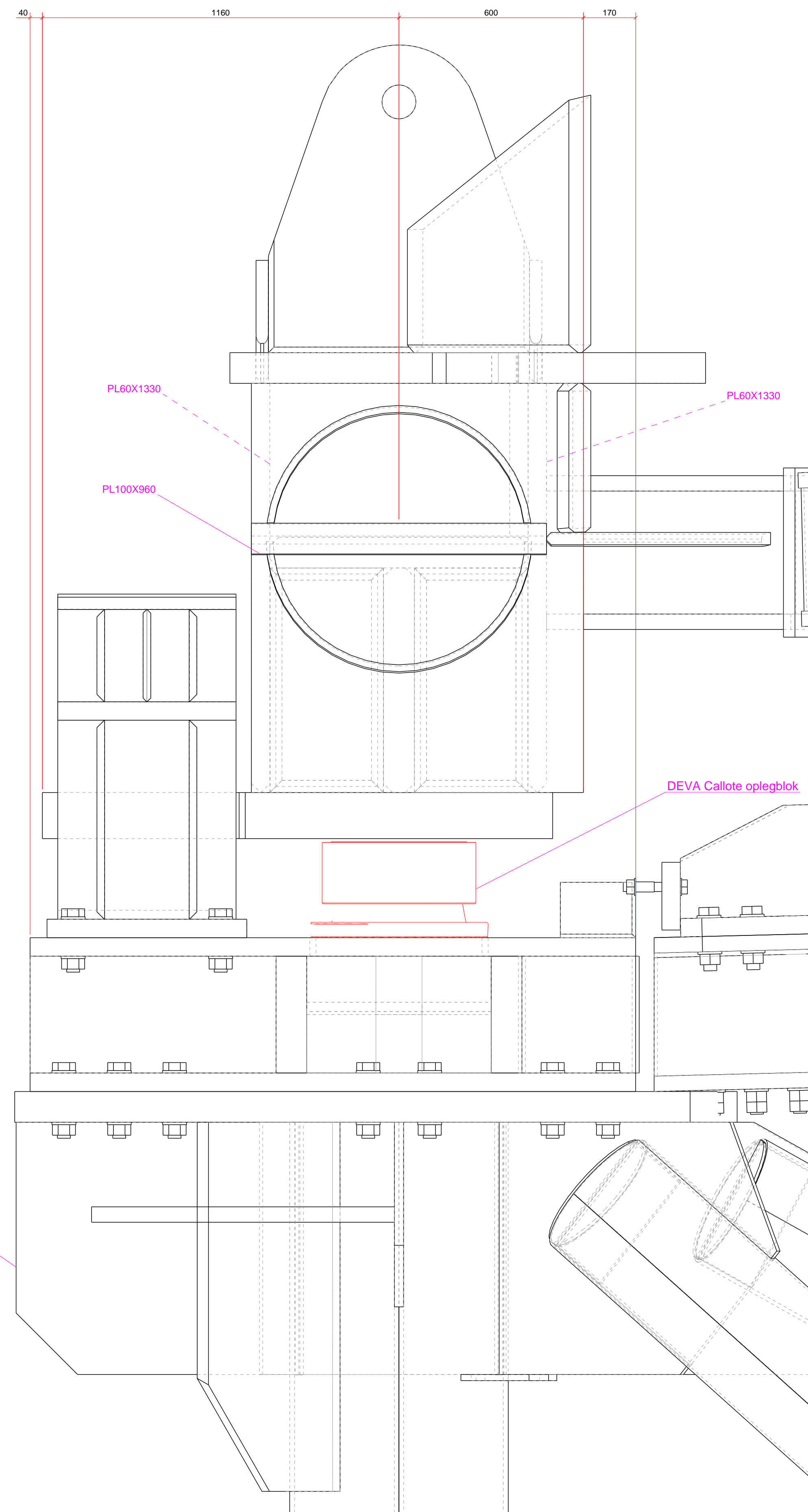


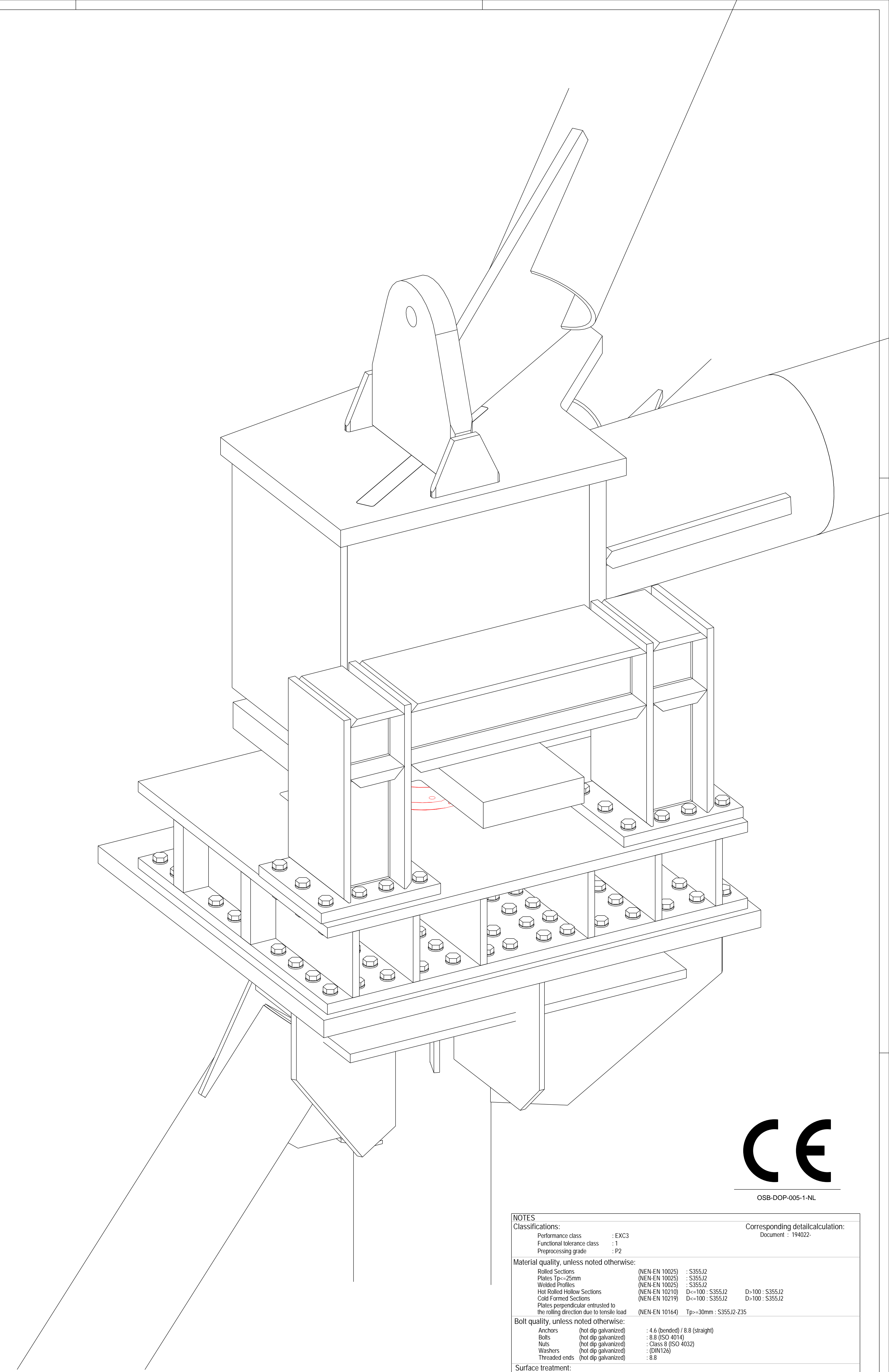
SECTION A - A



DETAIL GLIJOPLEGGING



SECTION B - B



3D



OSB-DOP-005-1-NL

NOTES		Corresponding detail calculation:	
Classifications:	Performance class : EXC3	Functional tolerance class : F1	Document : 194022
	Preprocessing grade : P2		
<b>Material quality, unless noted otherwise:</b>			
Roller Sections	(NEN-EN 10025) : S355J2		
Plates (t=25mm)	(NEN-EN 10025) : S355J2		
Welded Profiles	(NEN-EN 10025) : S355J2	D=100 : S355J2	D=100 : S355J2
Hot Rolled Hollow Sections	(NEN-EN 10210) : D=100 : S355J2		
Cold Formed Sections	(NEN-EN 10219) : D=100 : S355J2		
Plates perpendicular to the rolling direction due to tensile load	(NEN-EN 10164) : T <sub>p</sub> =30mm : S355J2-Z35		
<b>Bolt quality, unless noted otherwise:</b>			
Anchors	(hot dip galvanized) : 4.6 (bored) / 8.8 (straight)		
Bolts	(hot dip galvanized) : 8.8 (ISO 4014)		
Nuts	(hot dip galvanized) : Class 8 (ISO 6032)		
Washers	(hot dip galvanized) : (DN126)		
Threaded ends	(hot dip galvanized) : 8.8		
<b>Surface treatment:</b>			
	Treatment 1: (C5)		

0	11-09-20	BK	AF	Ter info	Ter info
revision	date	drawn	check	description	status
client					
BAM Bouw en Techniek BV					
project					drawing size
Dakconstructie AFAS Stadion					A0
title					revision
Mega truss					0
Detail glijoplegging					drawing number
194022-100					S-UO-039

Oostingh Staalbouw BV  
Postbus 3020  
2220 CA Katwijk  
Nederland

+31 (0)71 40 97000

info@oostingh.nl

