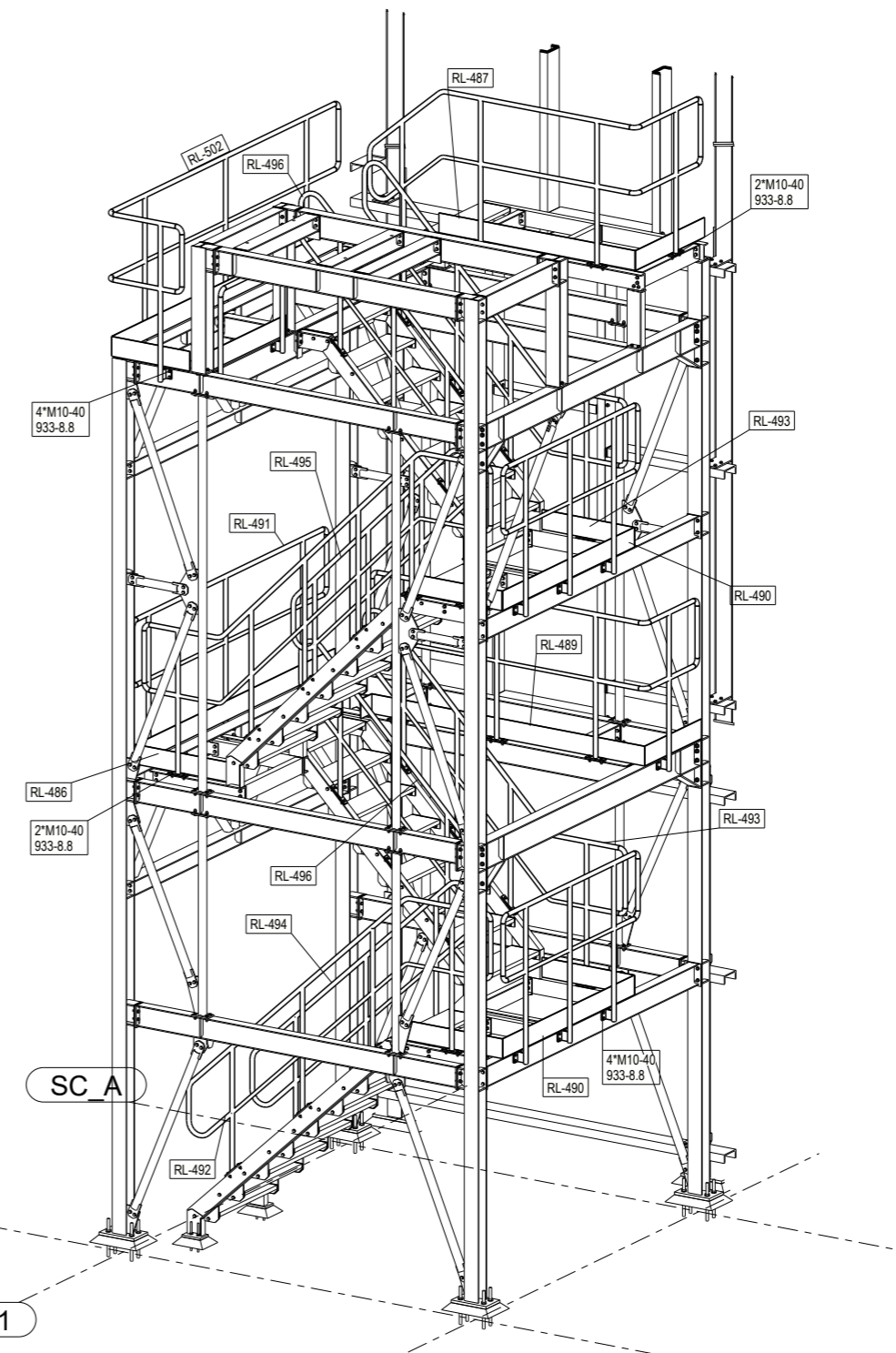


SC_B

SC_2

SC_1

RAILINGS - STAIRS
1:50



SC_A

SC_B

SC_1

SC_2

RAILINGS - STAIRS
1:50

1	0	FIRST ISSUE	29.09.2020
No	REV MARK	REVISION DESCRIPTION	REV. DATE
OBJECT:		INVESTOR:	DRYDEN AQUA
DRAWING NAME	RAILINGS - STAIRS		
PHASE	WORKSHOP DOCUMENTATION	DATE	SCALE
BRANCH	STEEL STRUCTURE	29.09.2020	1:50
DESIGN	M. Sc., Eng. Maciej Listewnik M. Sc., Eng. Manuela Sobolewska M. Sc., Eng. Marlena Przygodzka	DRAWING NUMBER STR-GA-05 - 0	