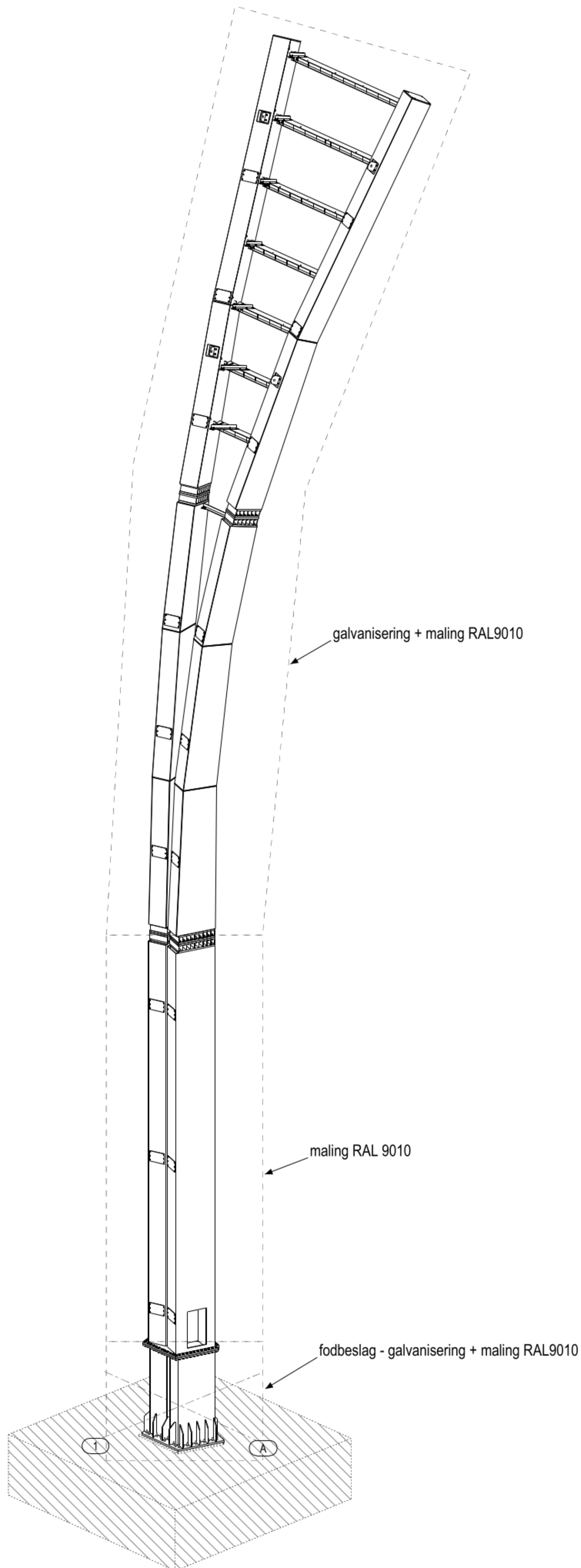


3D VIEW
1:90

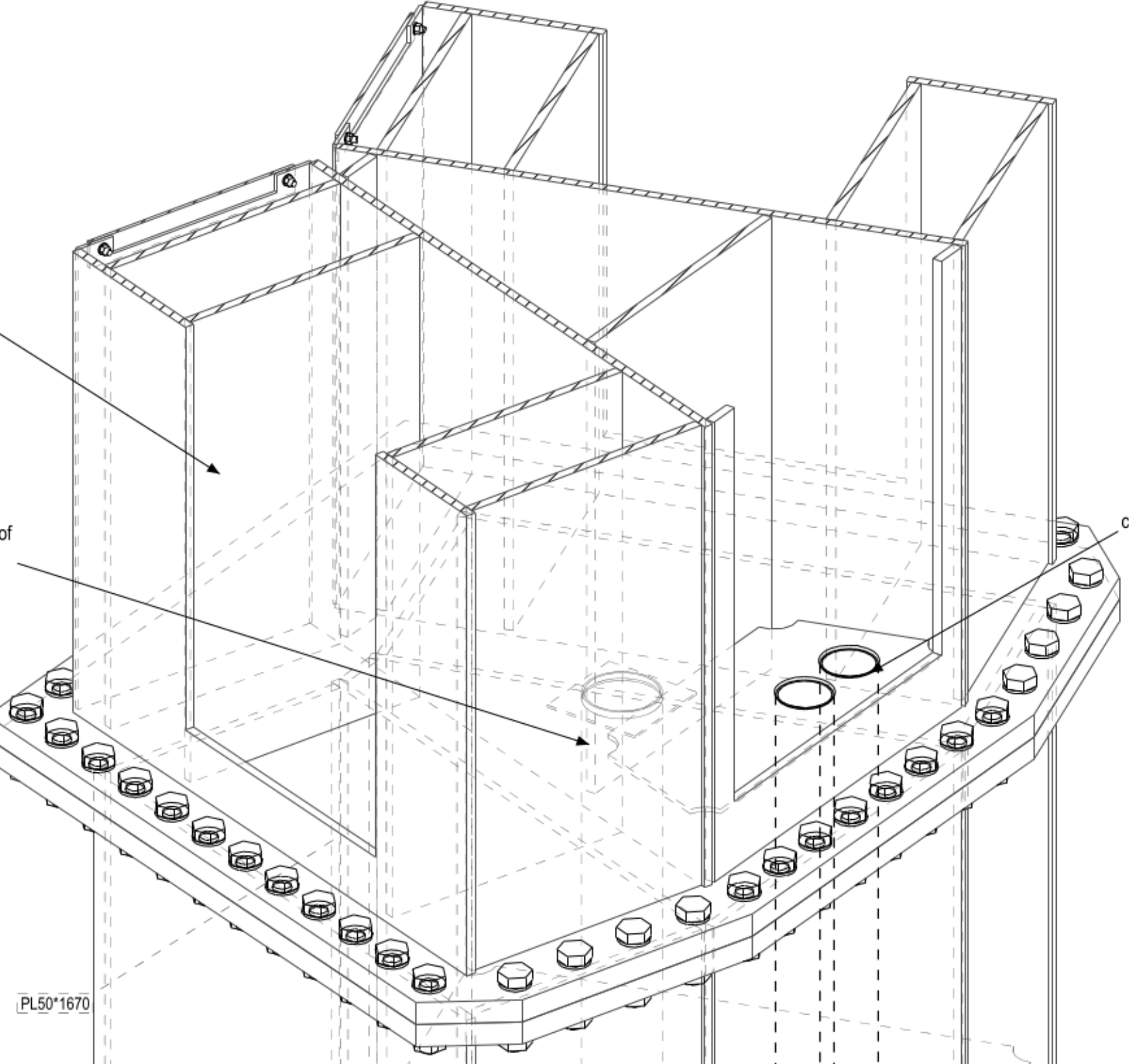


3D VIEW - fodbeslag
1:10

Doors ongoing desing process,
will be added later

casting through a top plate of
fodbeslag

cables to be transfered to electrical switchboard



PL50*1670

1

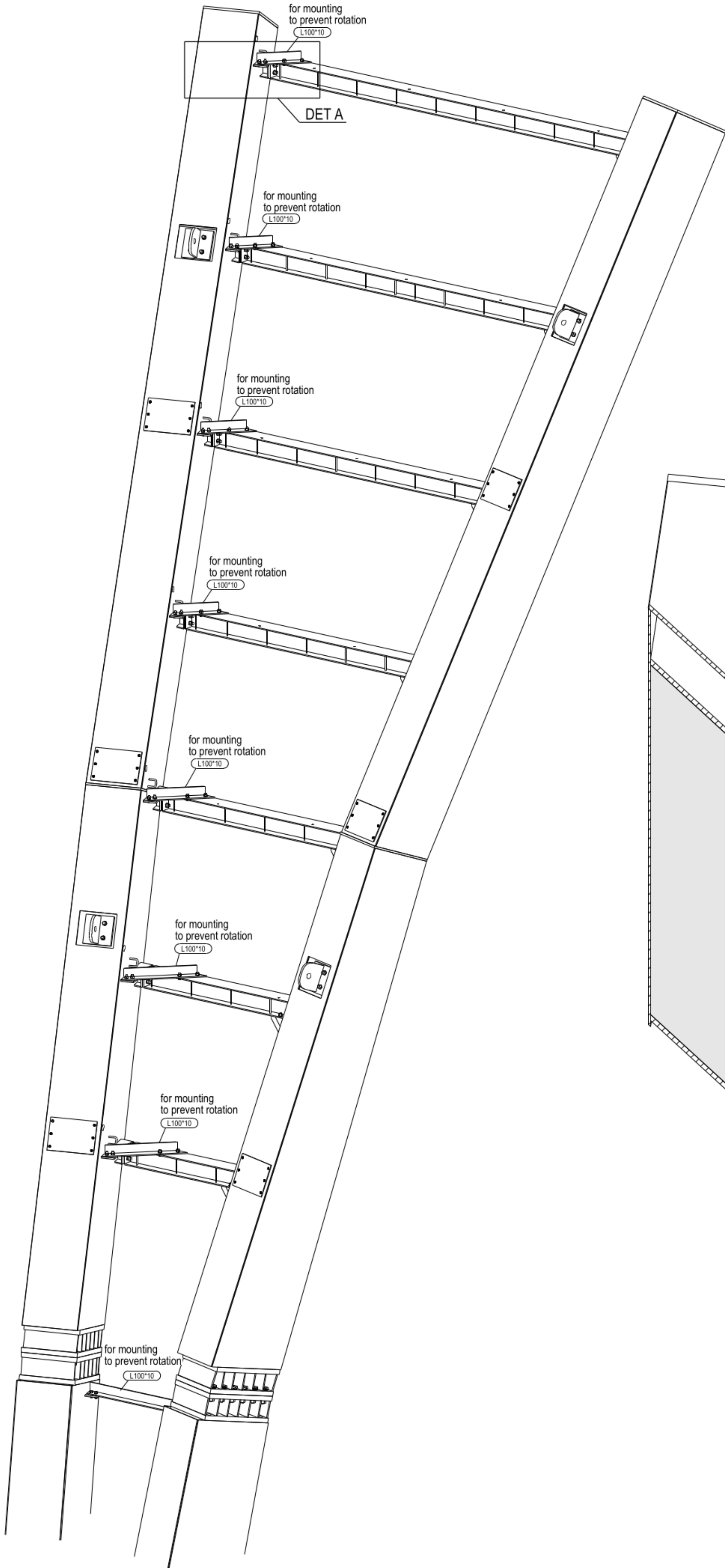
A

cables to go inside the mast

CFCHS159X4.5
pipe for casting a knagg HEB400
after mouting of fodbeslag

2x CFCHS114X3.6
pipes for cables

3D VIEW - top part
1:30



DET A

DETAIL A
1:10

