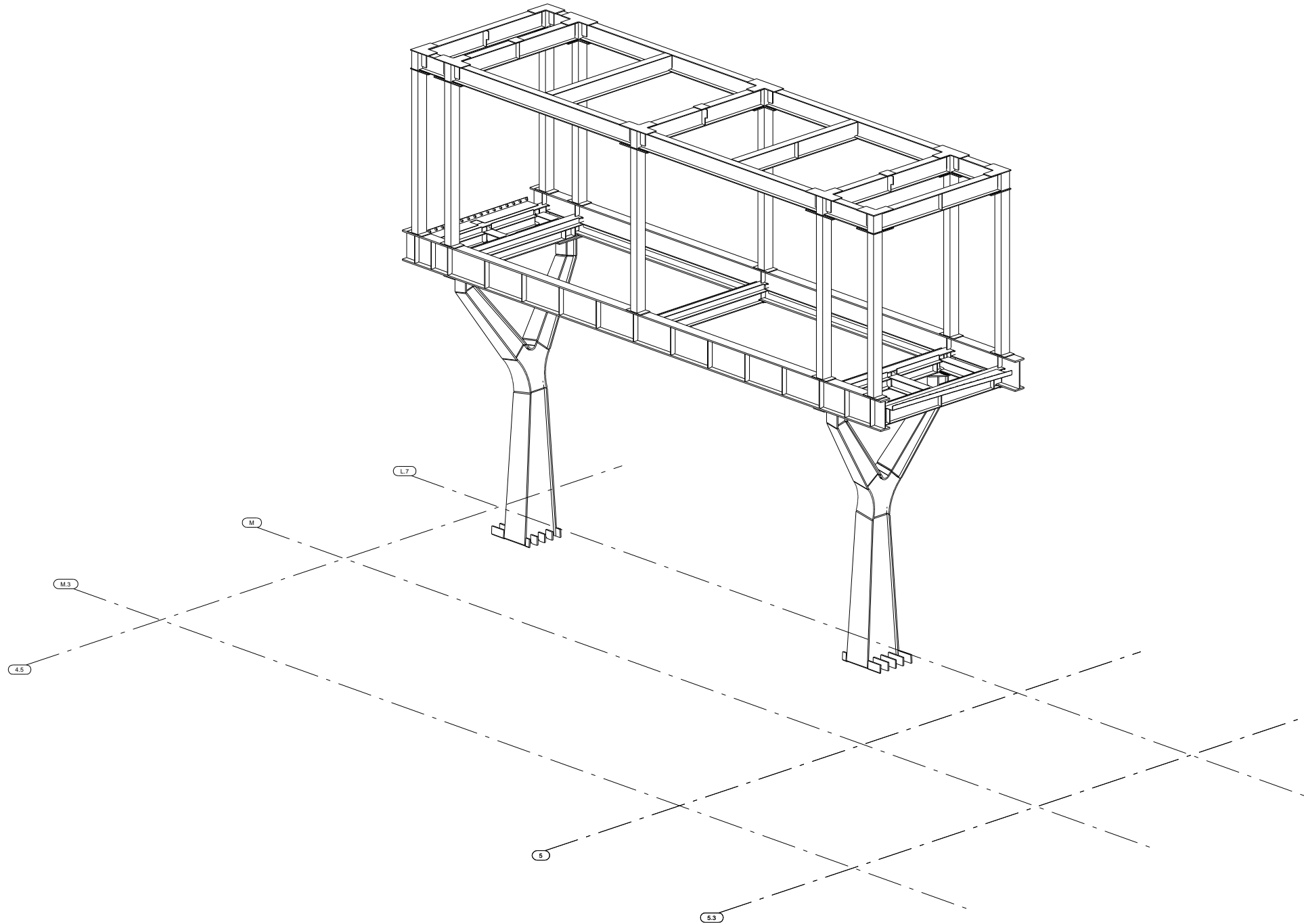


E- PLAN LEGEND :

- ZONE 4 BRIDGE :
- E411 - LEVEL 1 - BRIDGE COLUMN PLAN (ZONE 4)
- E412 - BRIDGE FRAMING PLAN (ZONE 4)
- E413 - BRIDGE - ELEVATION VIEW (ZONE 4)
- E414 - BRIDGE LIGHT STEEL PLAN (ZONE 4)
- E415 - BRIDGE FRAMING PLAN - SECTIONS & DETAILS (ZONE 4)
- E416 - BRIDGE LIGHT STEEL - SECTIONS & DETAILS (ZONE 4)



PLEASE PROVIDE BRIDGE STEEL PAINT/ SURFACE PREP. REQUIREMENTS.

3D VIEW ZONE 4 BRIDGE
(PERSPECTIVE VIEW)
 (WEIGHT : 17,8 TONS)

<small>05/12/2022</small> ISSUED FOR APPROVAL NO BACK CHARGES WILL BE ACCEPTED WITHOUT PRIOR AUTHORIZATION IN WRITING NOTE:		
JOB NAME & LOCATION: Avenue Bellevue 10300 NE 8th Bellevue, WA98004	ARCH: WEBER THOMPSON ENGR: DCI CONTR: Apex Steel Inc	JOB NO: 2085 REF: DRAWN BY: HS 05/11/2022 SHEET TITLE: 3D VIEW ZONE 4 BRIDGE CHECKED BY: MW 05/11/2022 DWG NO:
		3D-04 BRIDGE