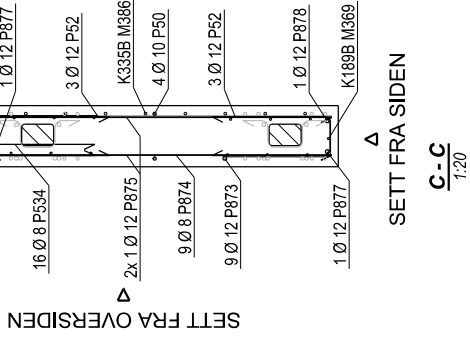
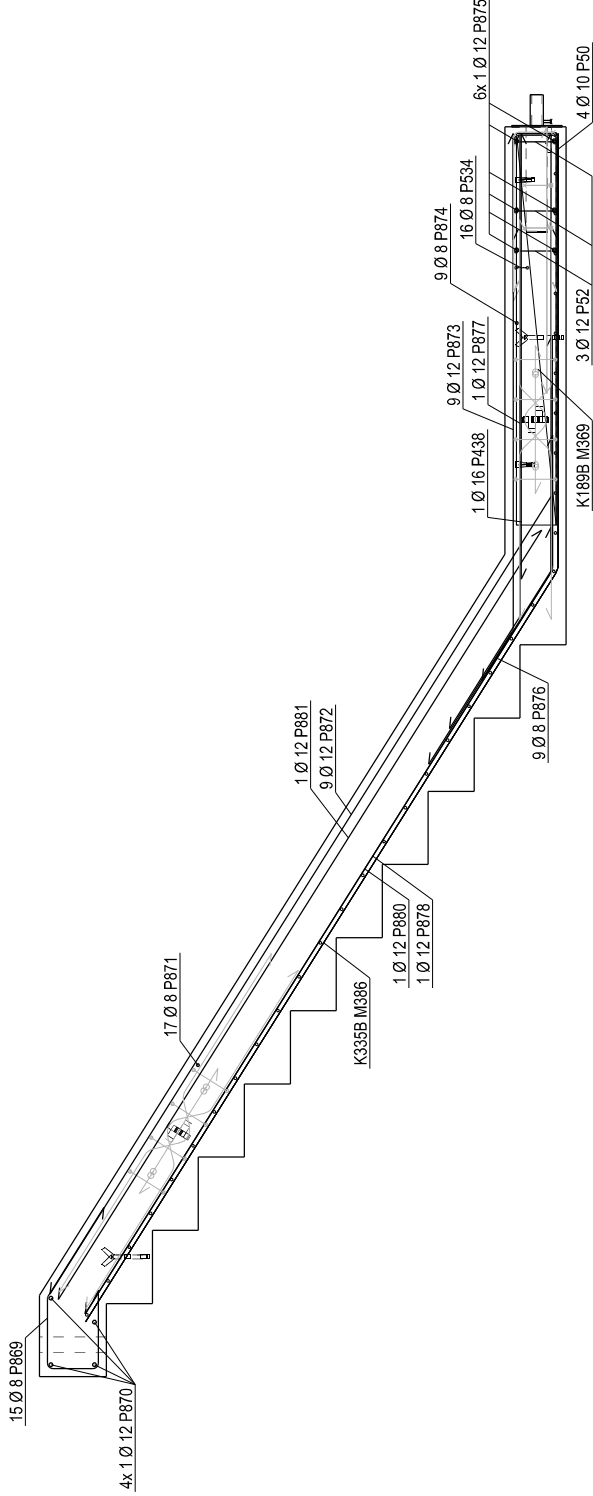
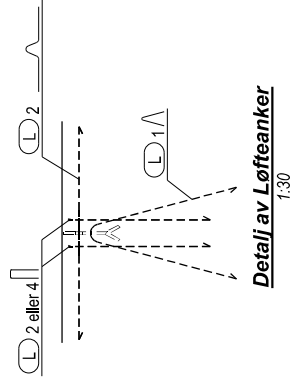


ARMERING
 1:20



SETT FRA SIDEN
 C-C
 1:20



ARMERING				Form
Pos	Ant.	Kval.	Dia. Lengde	
L11	16	B500NC	10 1720	800 160
L20	4	B500NC	20 1905	950 150° 90°
L44	8	B500NC	20 1570	630 45° 90°
P50	4	B500NC	10 930	400 180
P52	6	B500NC	12 1010	450 160
P438	1	B500NC	16 1675	1675
P534	16	B500NC	8 1025	505 Dor = 28
P869	15	B500NC	8 1130	300 270 32° 400
P870	4	B500NC	12 1385	1385
P871	17	B500NC	8 1385	1385
P872	9	B500NC	12 4145	3545 32° 600
P873	9	B500NC	12 2460	1865 32° 600
P874	9	B500NC	8 1285	1285
P875	6	B500NC	12 1285	1285
P876	9	B500NC	8 995	500 32° 500
P877	2	B500NC	12 2310	1815 32° 500
P878	2	B500NC	12 4935	3290 32° 1650
P879	1	B500NC	12 3975	3480 32° 500
P880	1	B500NC	12 3455	3290 32° 170
P881	1	B500NC	12 3410	3410
T1	2	B500NC	12 1590	605 140 140
T2	2	B500NC	12 1595	84° 180 84° 160 605
T3	4	B500NC	12 475	100 110 140
T4	4	B500NC	12 1000	1000
T5	8	B500NC	10 1330	600 180
M369	2	B500NA	K189B 1470	405 150

M386	1	B500NA	K335B	1385	3340 32° 7635
					Dor = 120
					Total vekt kamstål: 212.2 kg
					Total vekt nett: 45.0 kg

