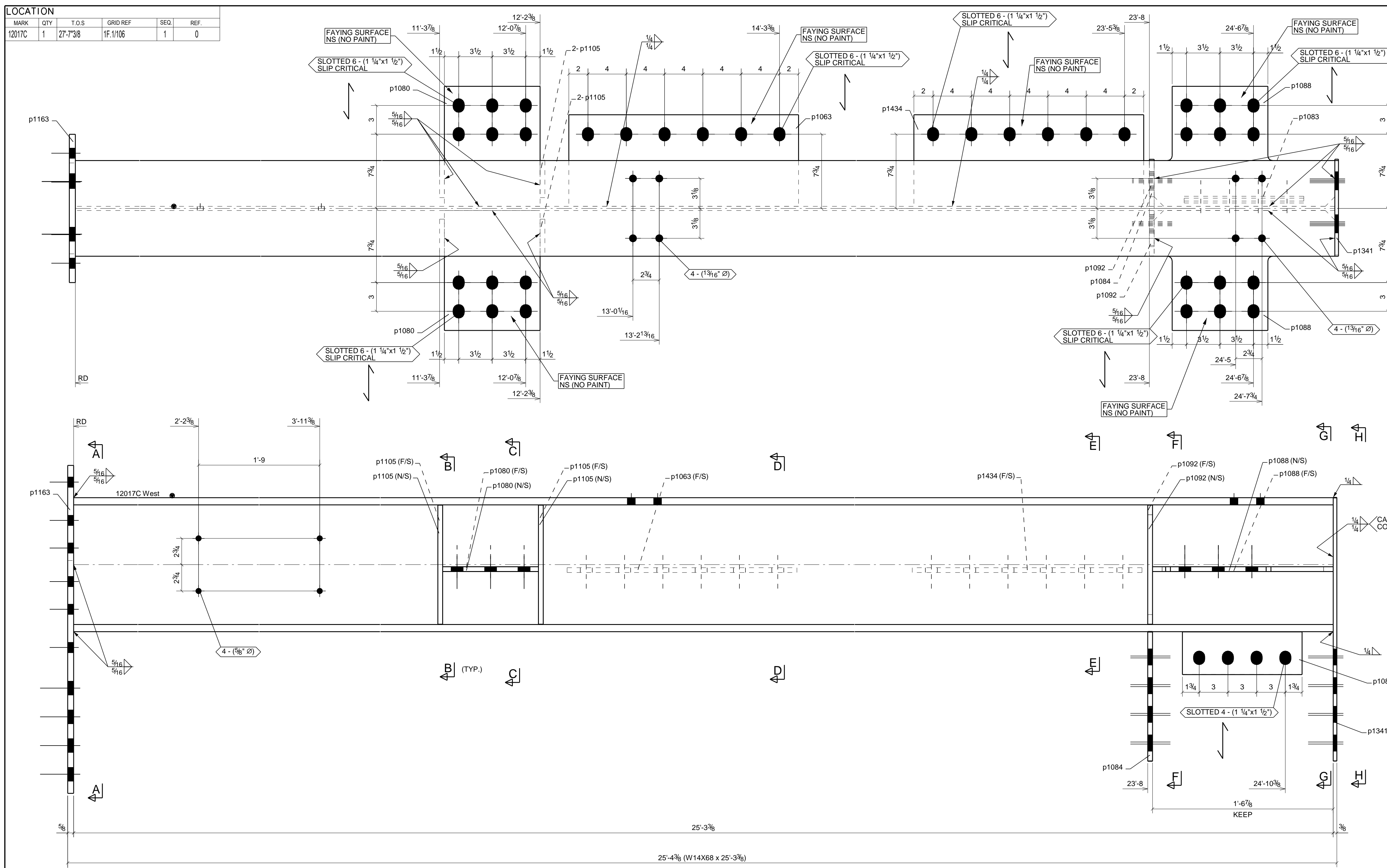


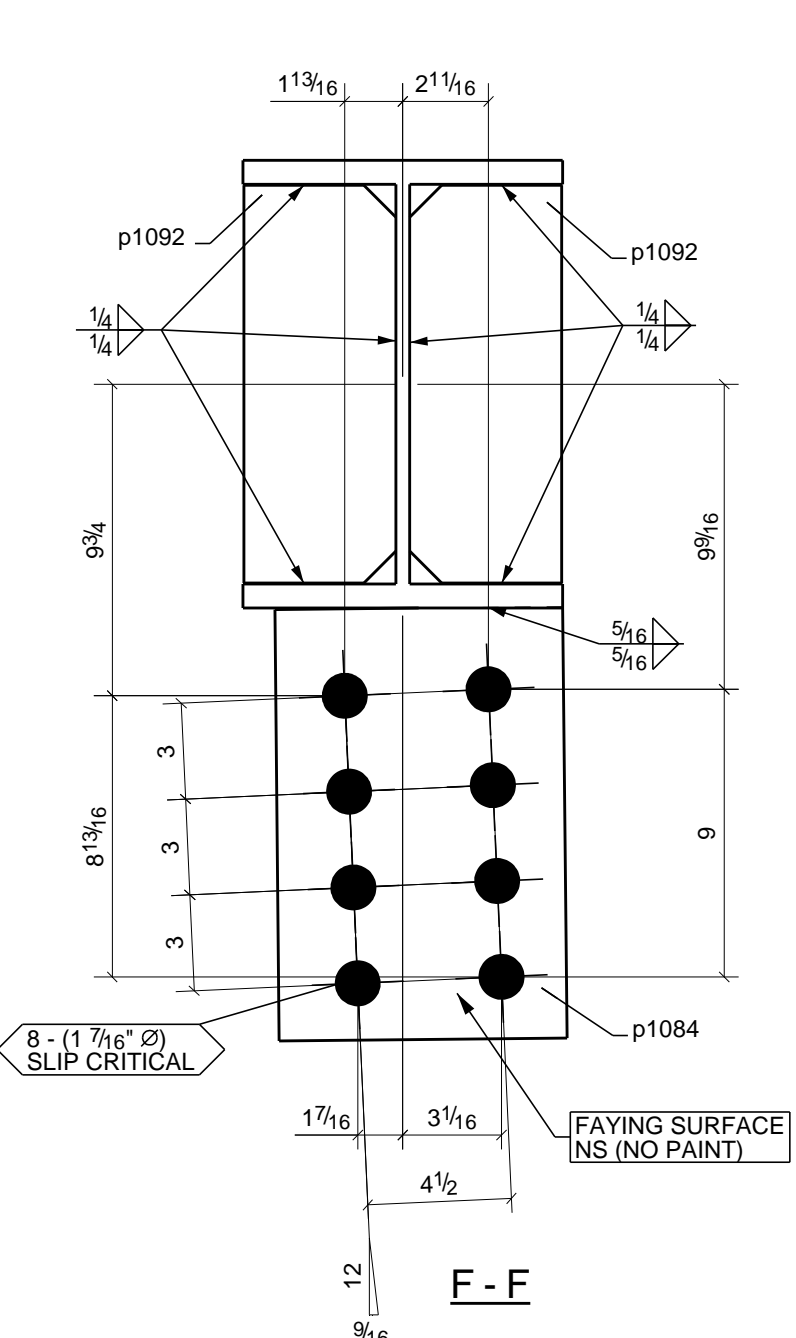
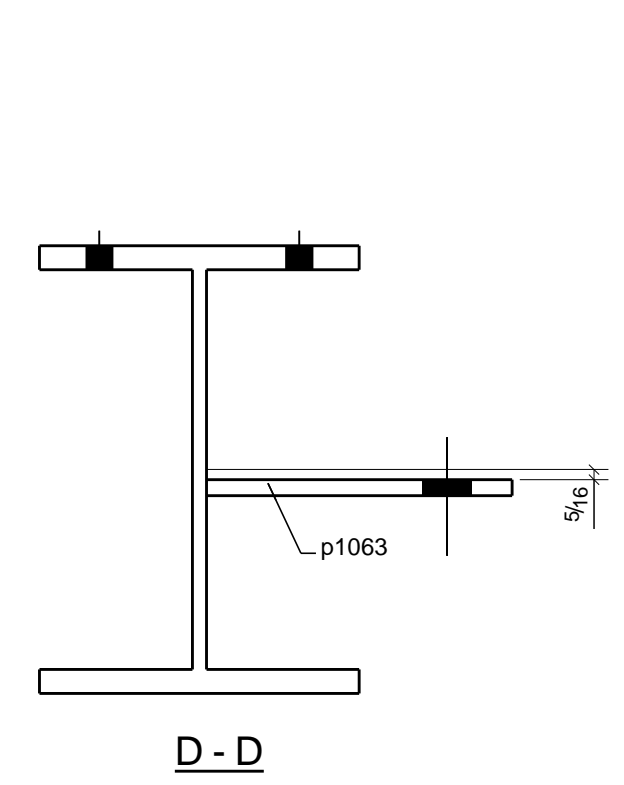
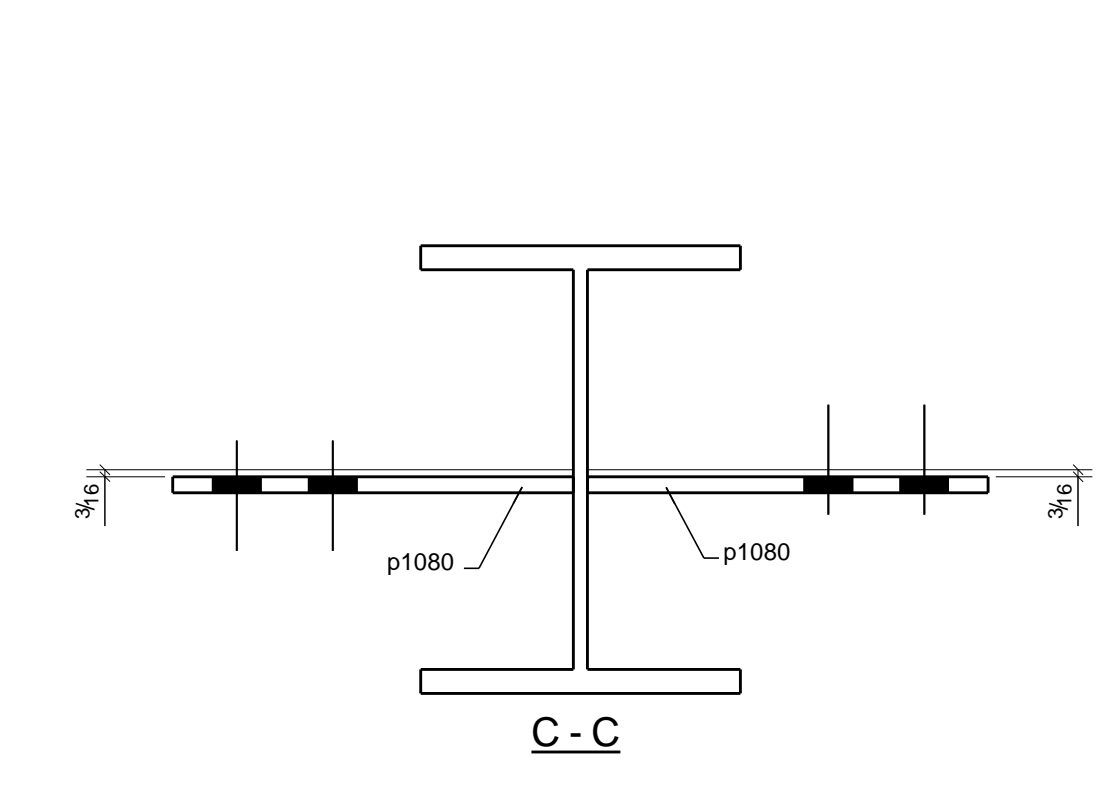
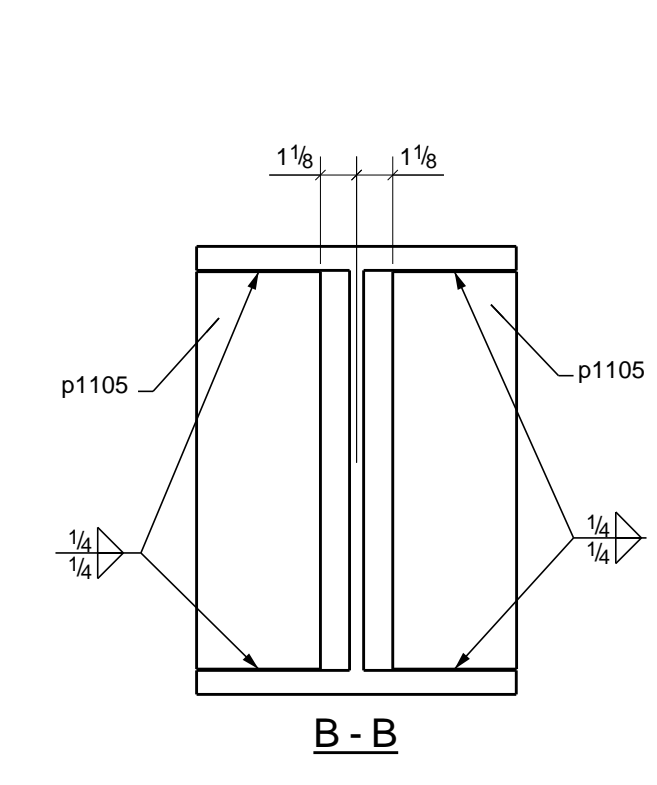
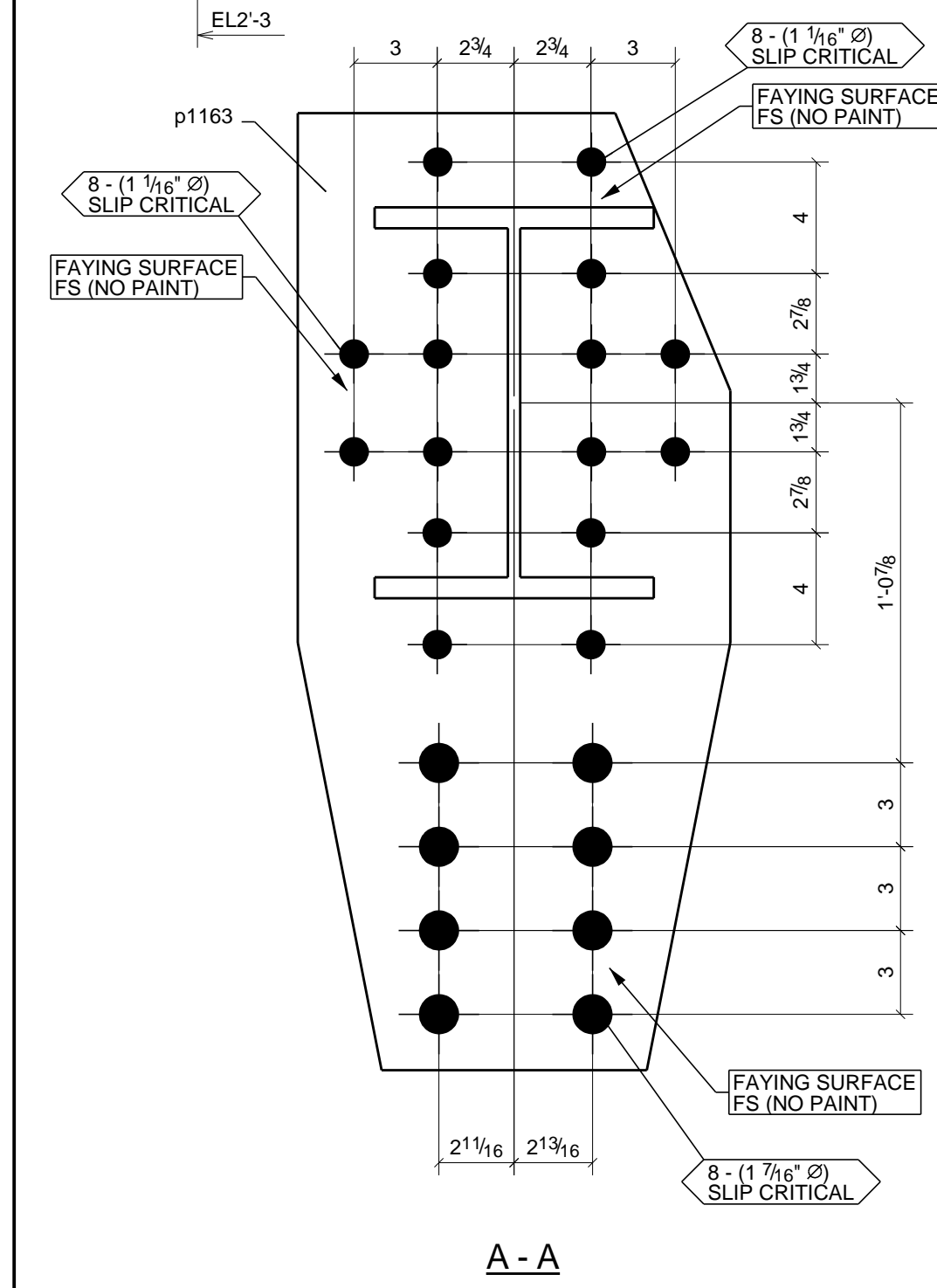
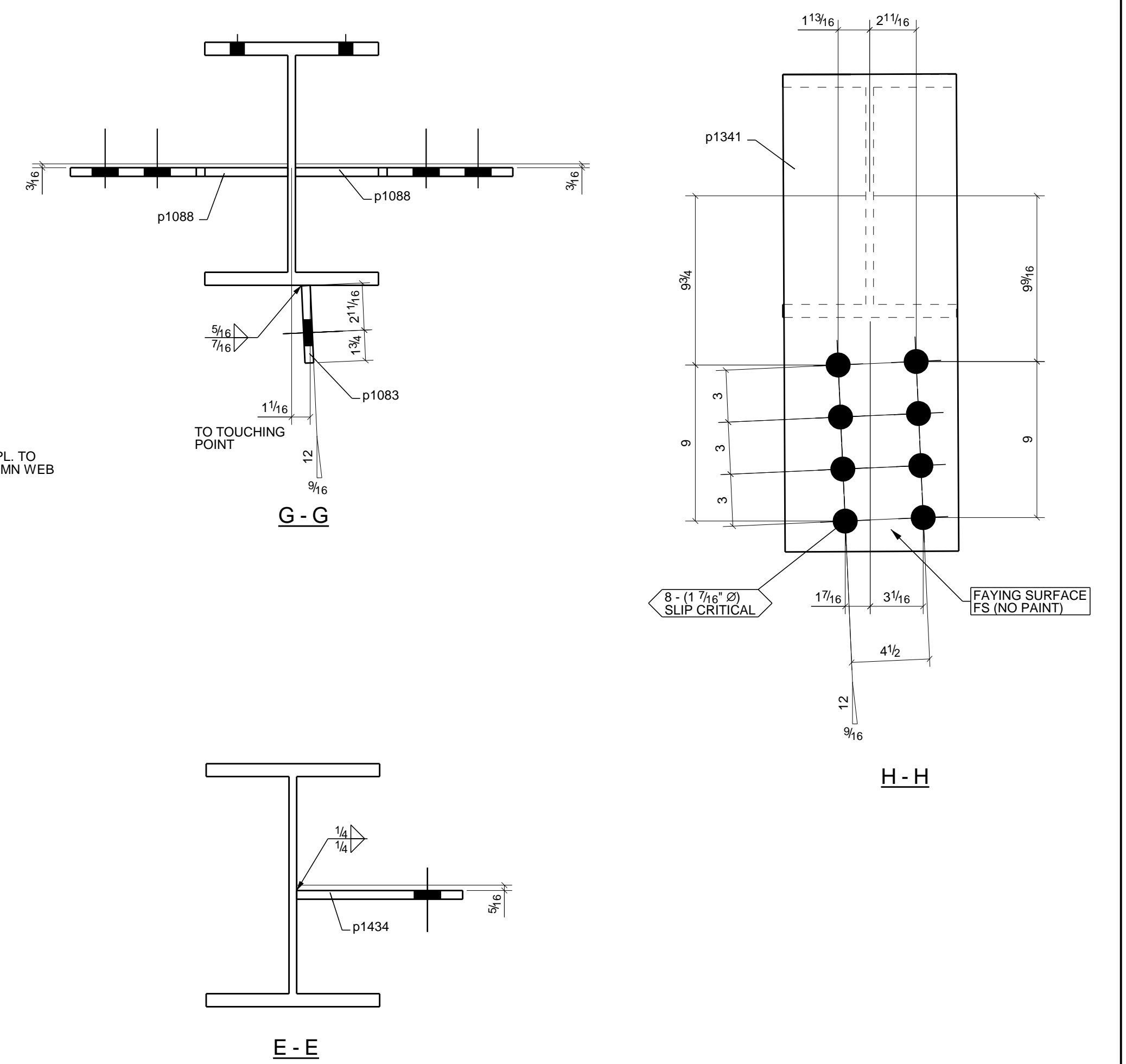
| MARK | QTY | T.O.S | GRID REF | SEQ. | REF. |
|--------|-----|--------|----------|------|------|
| 12017C | 1 | 27-738 | 1F.1106 | 1 | 0 |



SEQ. NO.: 1-2

BILL OF MATERIAL

| ADM MARK | SHIPPING MARK | MARK | NO. REQ'D | DESCRIPTION | LENGTH | GRADE | WEIGHT | REMARKS |
|----------|---------------|--------|-----------|-----------------|--------|---------|---------|---------|
| | | | | | FT. | IN. | | |
| 12024BMC | 12017C | | 1 | COLUMN | | | | |
| | | 12017C | 1 | W14X68 | 25 | 3 3/8" | A992 | 1761 |
| | | p1063 | 1 | PL1/2"X9 9/16" | 2 | 0" | A572-50 | 33 |
| | | p1080 | 2 | PL1/2"X10" | 1 | 0 9/16" | A572-50 | 36 |
| | | p1093 | 1 | PL1/2"X4 7/16" | 1 | 0 1/2" | A572-50 | 8 |
| | | p1084 | 1 | PL1/2"X9" | 1 | 1 1/2" | A572-50 | 17 |
| | | p1088 | 2 | PL1/2"X12 9/16" | 1 | 6 7/8" | A572-50 | 47 |
| | | p1092 | 2 | PL1/2"X4 3/4" | 1 | 0 7/16" | A572-50 | 16 |
| | | p1105 | 4 | PL1/2"X3 7/8" | 1 | 0 7/16" | A572-50 | 27 |
| | | p1163 | 1 | PL5/8"X15 1/2" | 2 | 10 1/4" | A572-50 | 82 |
| | | p1341 | 1 | PL3/8"X10" | 2 | 3 1/2" | A572-50 | 29 |
| | | p1434 | 1 | PL1/2"X9 9/16" | 2 | 0" | A572-50 | 33 |
| | | | | | | | TOTAL = | 2090 |



ONE - COLUMN - 12017C
 D | 14" x 716"
 W | 10" x 314"

HOLES NOTED "SLIP CRITICAL" SHALL HAVE NO PAINT WITHIN 3" OF THOSE HOLES

STAMP OF ENGINEER:

DETAILED BY:

| REV. | DESCRIPTION | DATE | DWN/CHK | FIELD BOLTS | SUMMARY |
|------|---------------------------|------------|---------|-------------|--|
| △ | RE-IFF. FOR RECORD | 08/16/2022 | KWE | SSR | 8 11/8" 3 1/2" A190SC_TC SLIP CRITICAL |
| △ | RE-ISSUED FOR FABRICATION | 06/09/2022 | KWE | SSR | 16 7/8" 2 1/2" A325SC_TC SLIP CRITICAL |
| △ | ISSUED FOR FABRICATION | 05/11/2022 | KWE | SSR | |
| △ | RE-ISSUED FOR APPROVAL | 04/08/2022 | KWE | SSR | |
| △ | RE-ISSUED FOR APPROVAL | 02/11/2022 | KWE | SSR | |
| △ | RE-ISSUED FOR APPROVAL | 12/15/2021 | KWE | SSR | |
| △ | ISSUED FOR APPROVAL | 11/19/2021 | KWE | SSR | NO. DIA. LGT. TYPE REMARK |

GENERAL NOTES

MATERIAL: A992 U.N.O. ELECTRODES: E70XX REF. ERECTION DWGS:
 HOLES: AS NOTED CONWS: - SEE LOCATION TABLE SHOP

SURFACE PREP. AND PAINT: SSSP-SP3
 1 SHOP COAT S-W STEEL SPEC UNIVERSAL PRIMER (B50RV6227-Red) APPROVAL

DESCRIPTION: COLUMN
 COMPONENT: 1

JOB: Lloyd Harbor Residence
 Long Island, New York

Customer: Kean Development Co., Inc.

DRAWN BY: HS DATE: 11/19/2021
 CHKD. BY: DATE: 11/19/2021
 SSR JOB NO. 21004 DRG. NO. 12017 REV. 2

E&H STEEL CORPORATION
 Post Office Box 1170
 Midland City, Alabama 36350
 (334) 983-5636