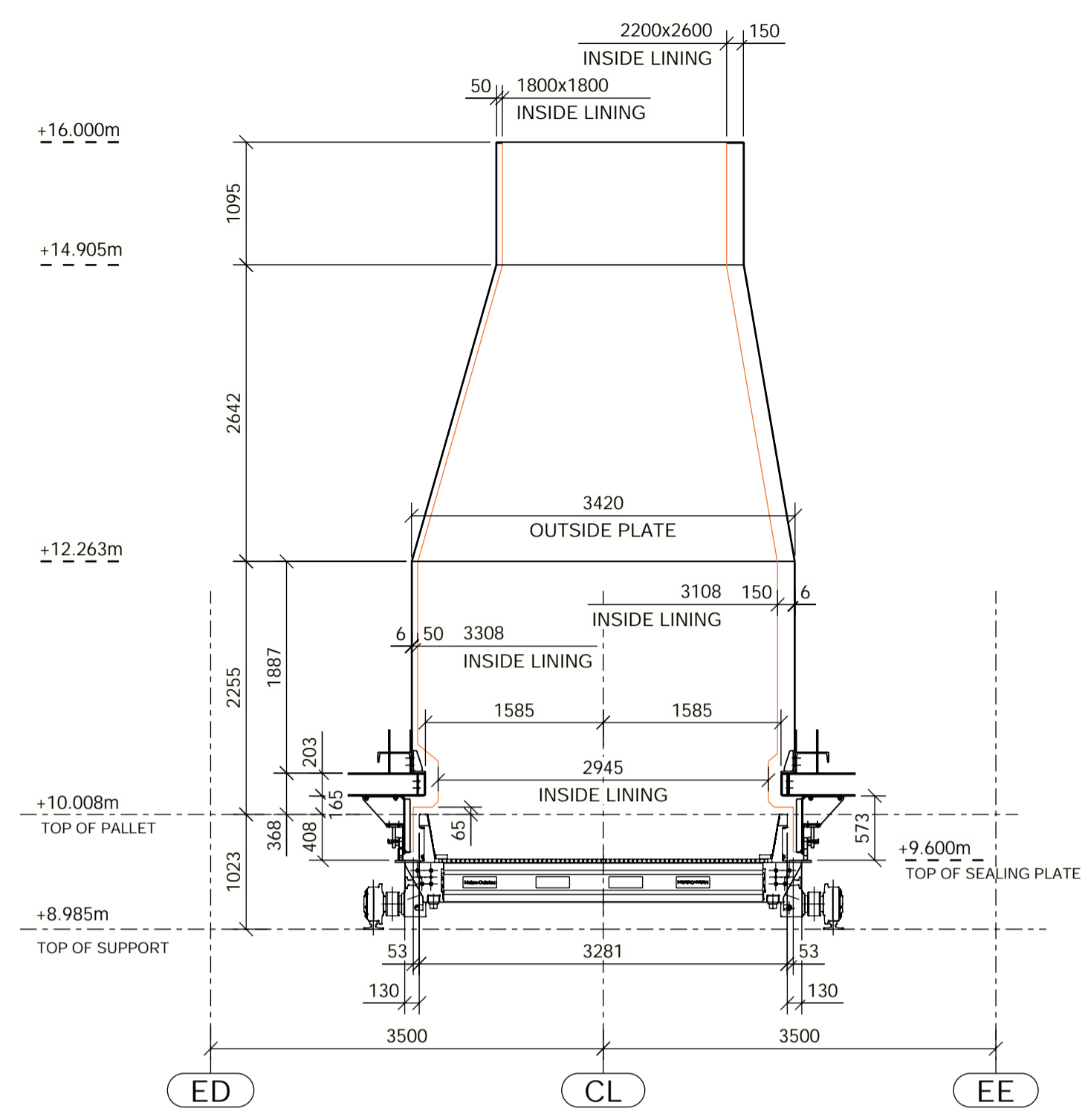


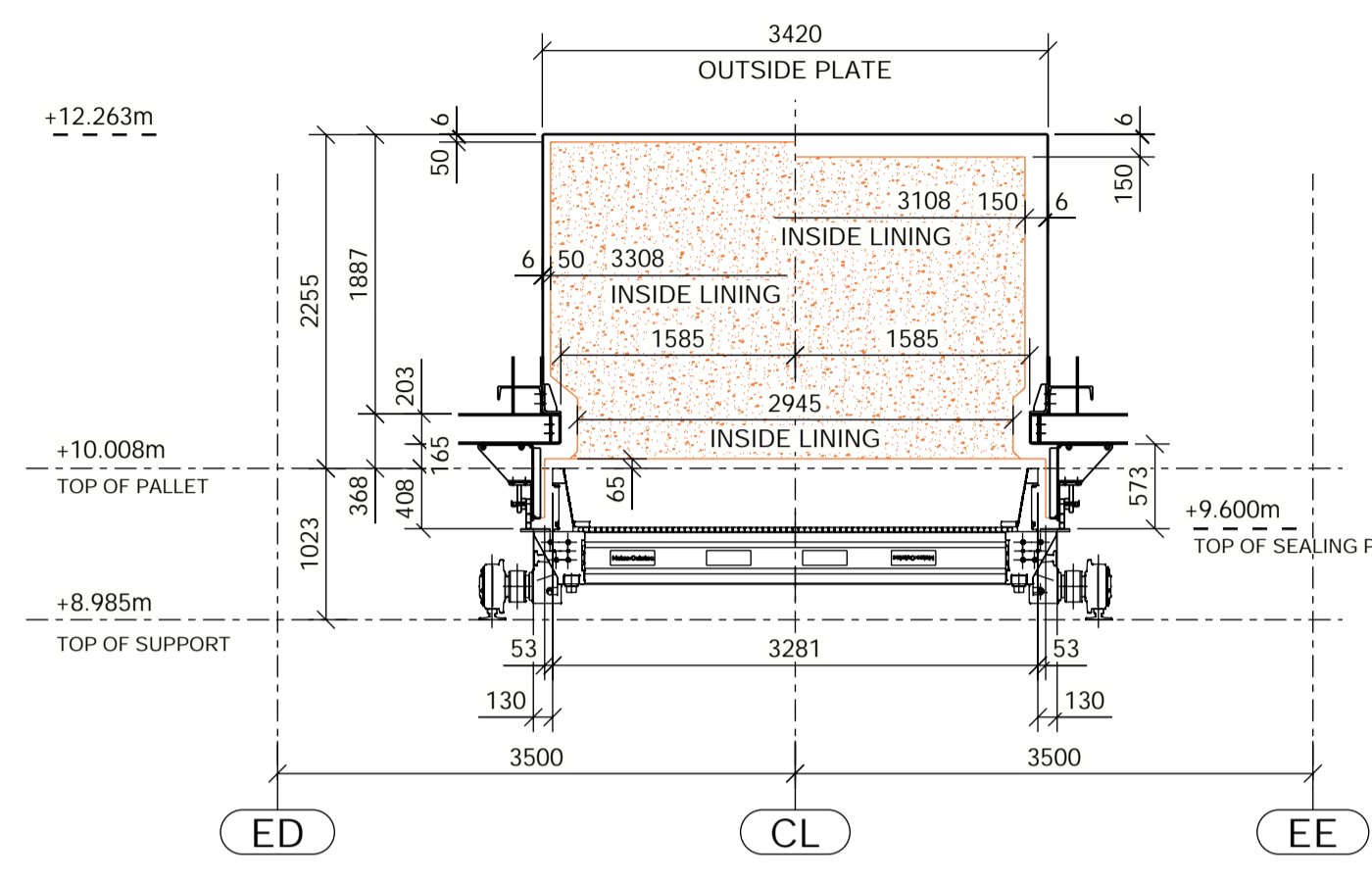
HALF-SECTION AXIS E65  
UPDRAUGHT DRYING ZONE

HALF-SECTION AXIS E85  
DOWNDRAUGHT DRYING ZONE



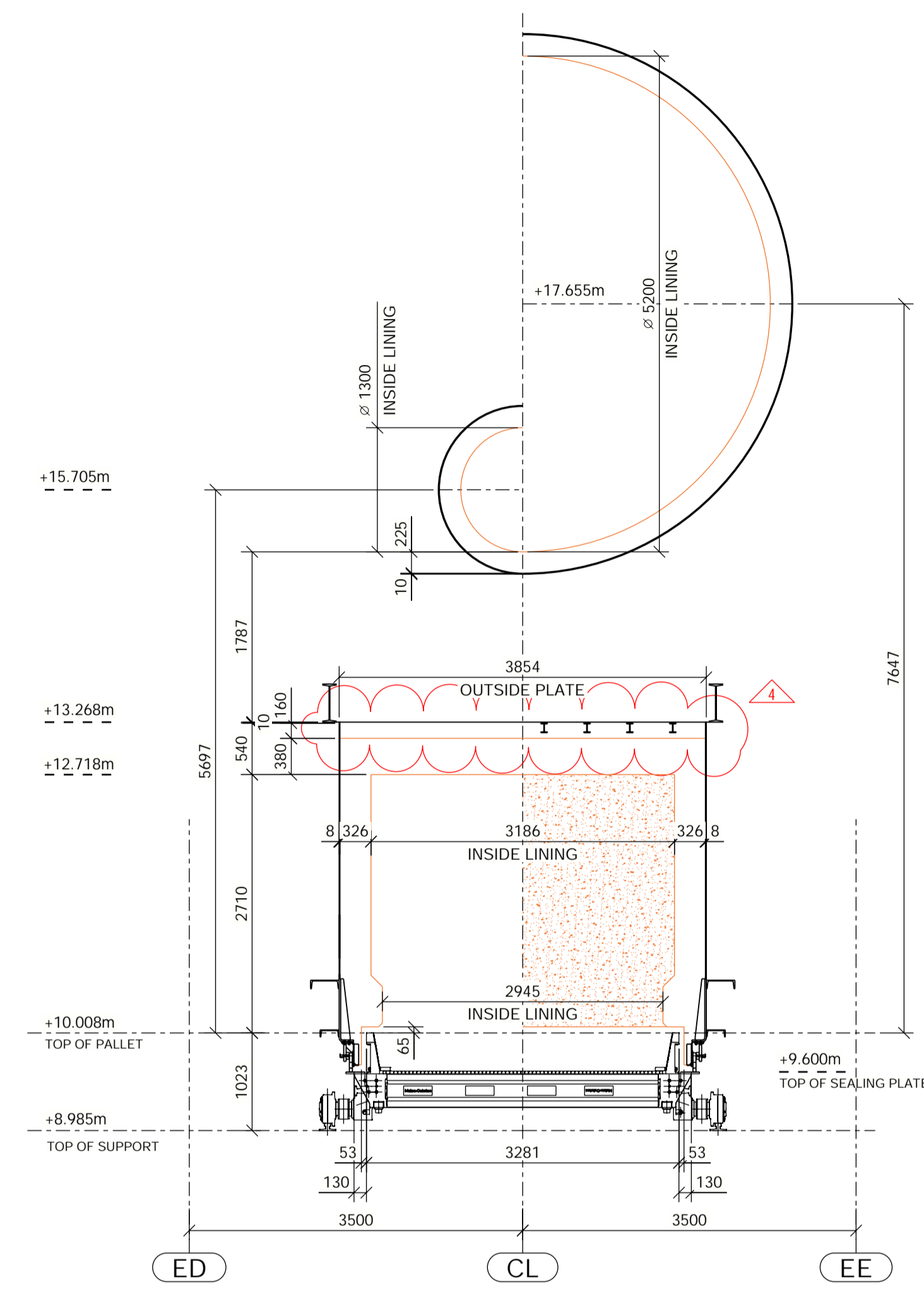
HALF-SECTION AXIS E70  
UPDRAUGHT DRYING ZONE  
BAFFLE LINTEL

HALF-SECTION AXIS E70  
DOWNDRAUGHT DRYING ZONE  
BAFFLE LINTEL

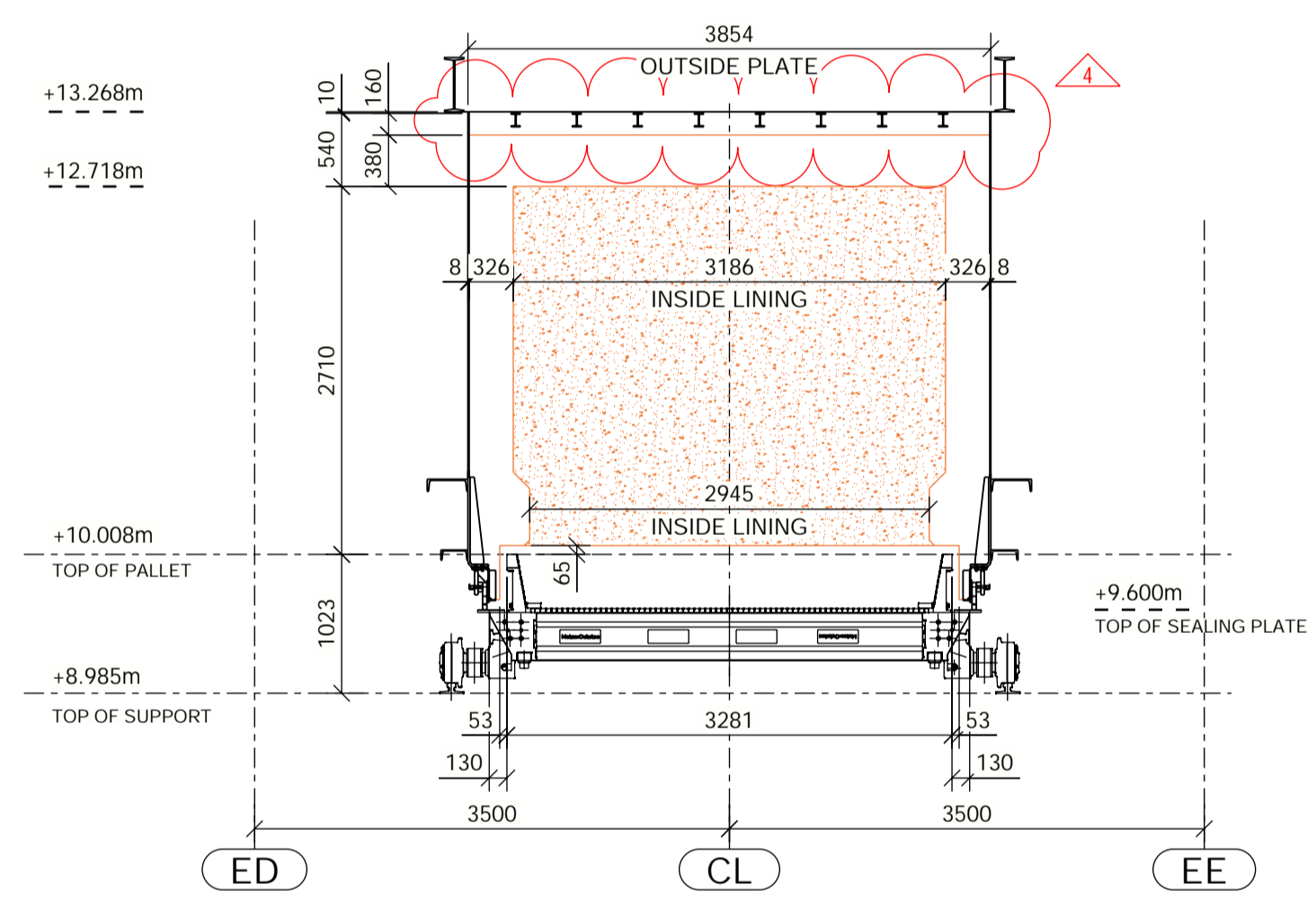


HALF-SECTION AXIS E90  
PREHEATING ZONE

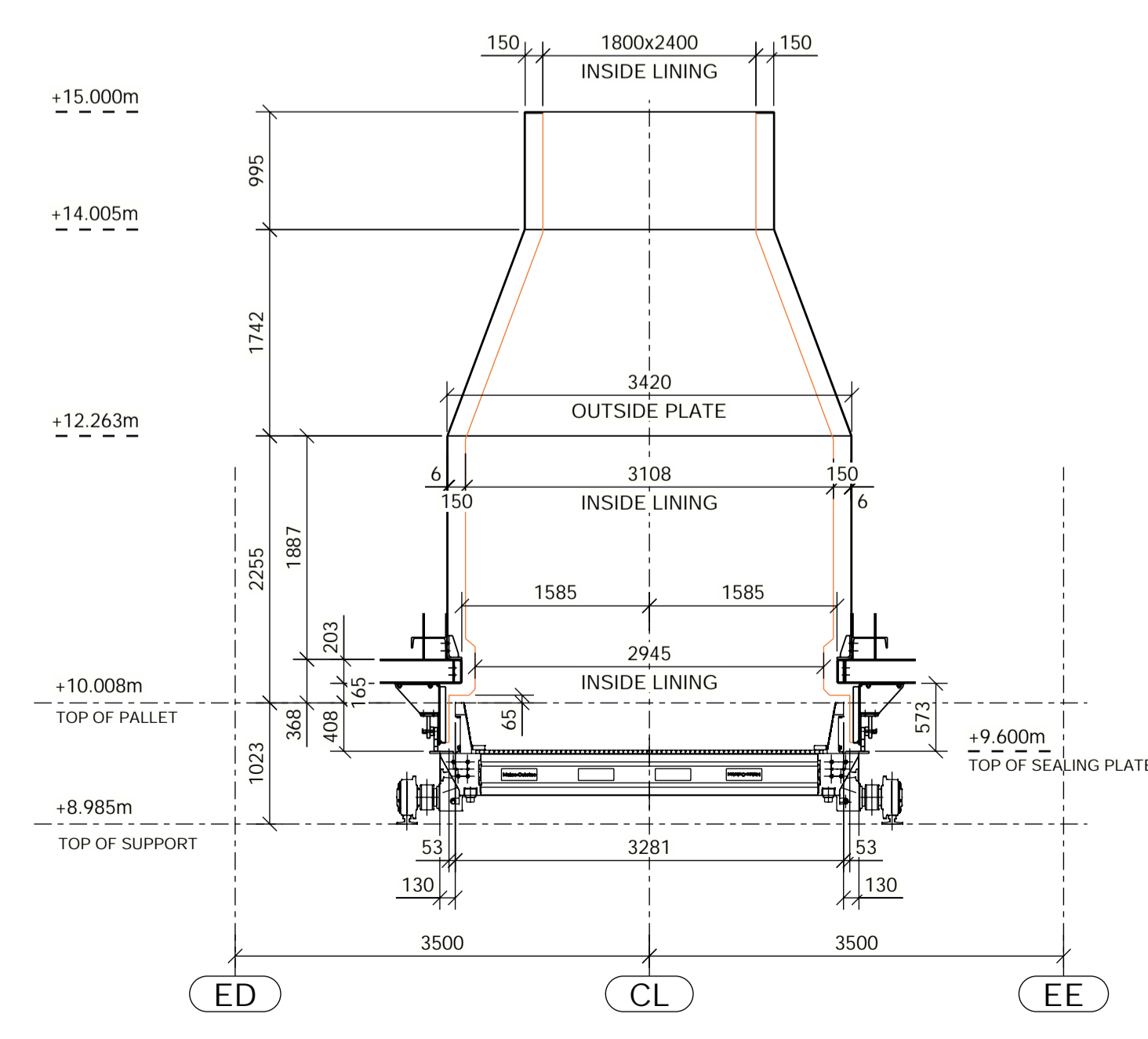
HALF-SECTION AXIS E160  
FIRING ZONE / AFTER FIRING ZONE  
BAFFLE LINTEL



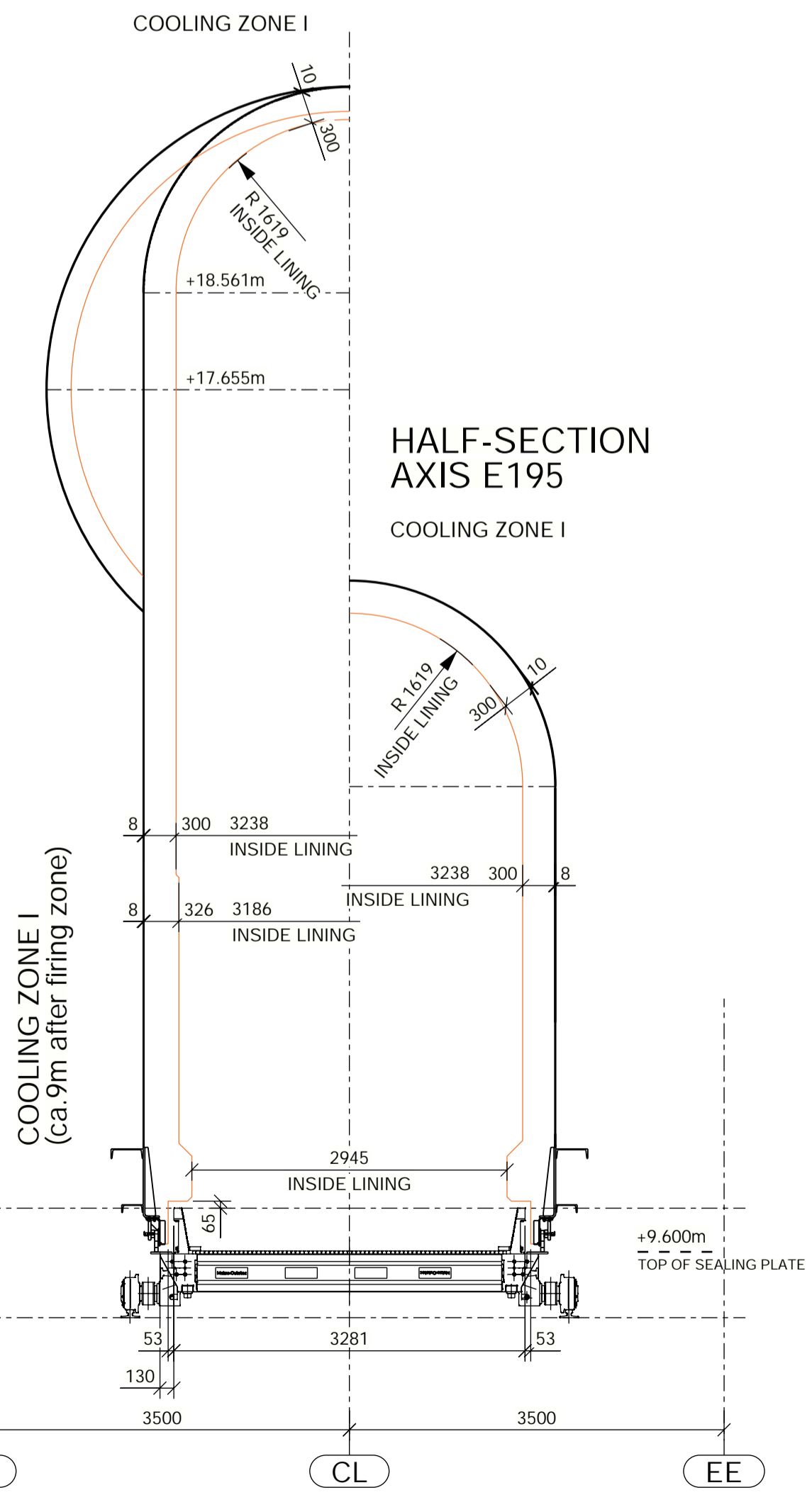
CROSS-SECTION AXIS E90  
DOWNDRAUGHT DRYING ZONE  
BAFFLE LINTEL



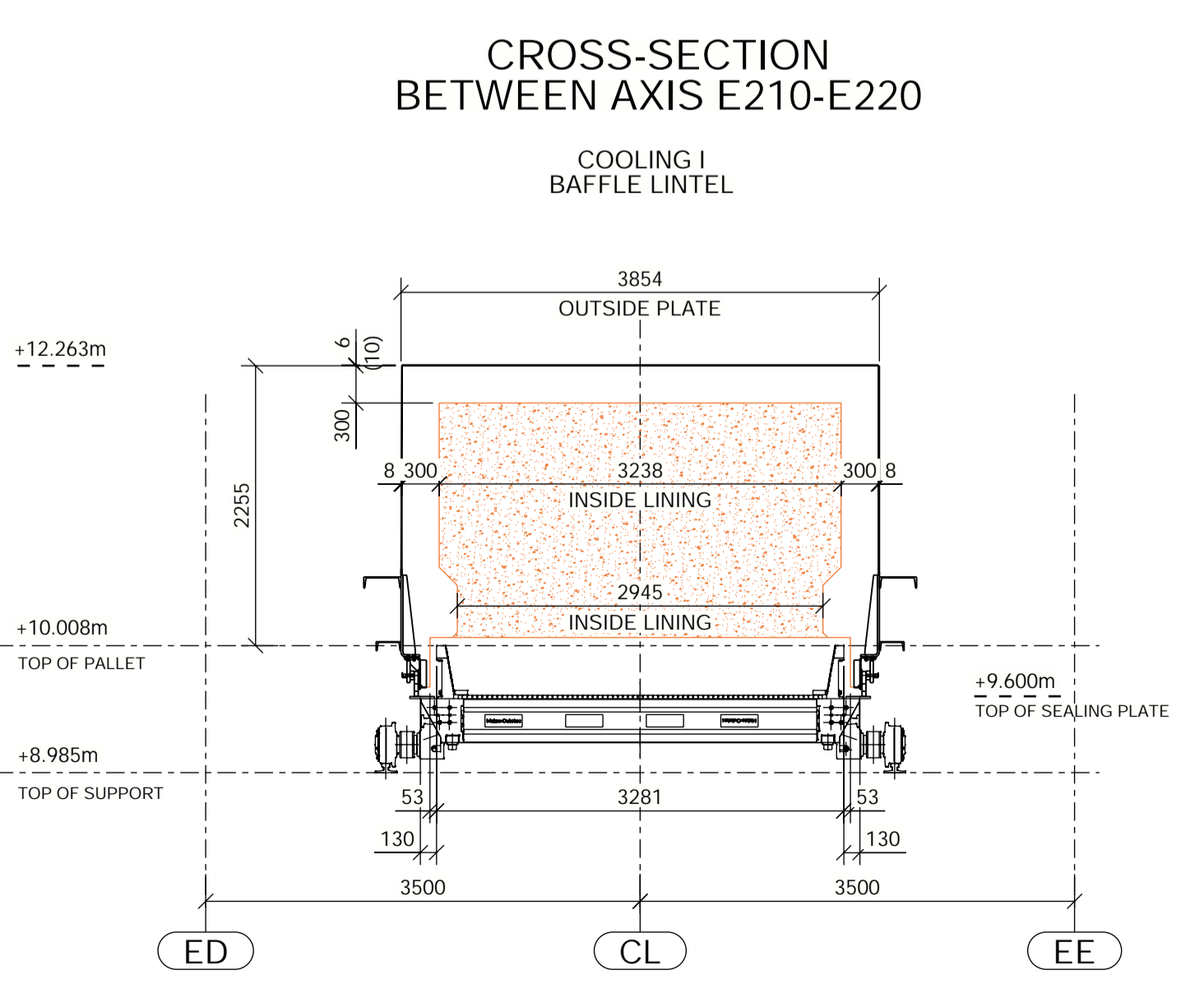
CROSS-SECTION AXIS E225  
COOLING ZONE II



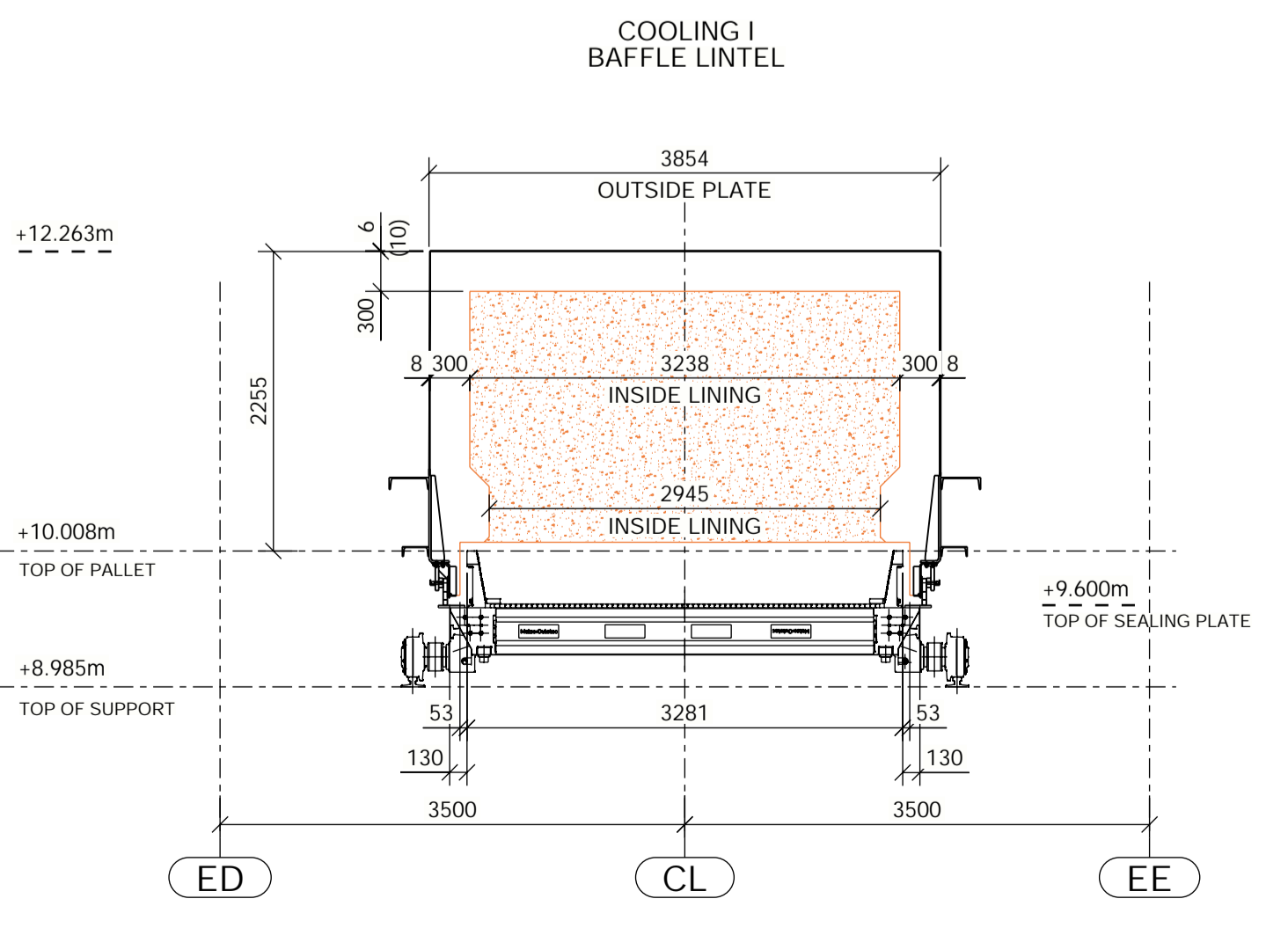
HALF SECTION AXIS E180  
COOLING ZONE I



HALF-SECTION AXIS E195  
COOLING ZONE I



CROSS-SECTION BETWEEN AXIS E210-E220  
COOLING I  
BAFFLE LINTEL



100 mm (Standard of comparison)

AutoCAD-Mechanical  
Autodesk AutoCAD 2014