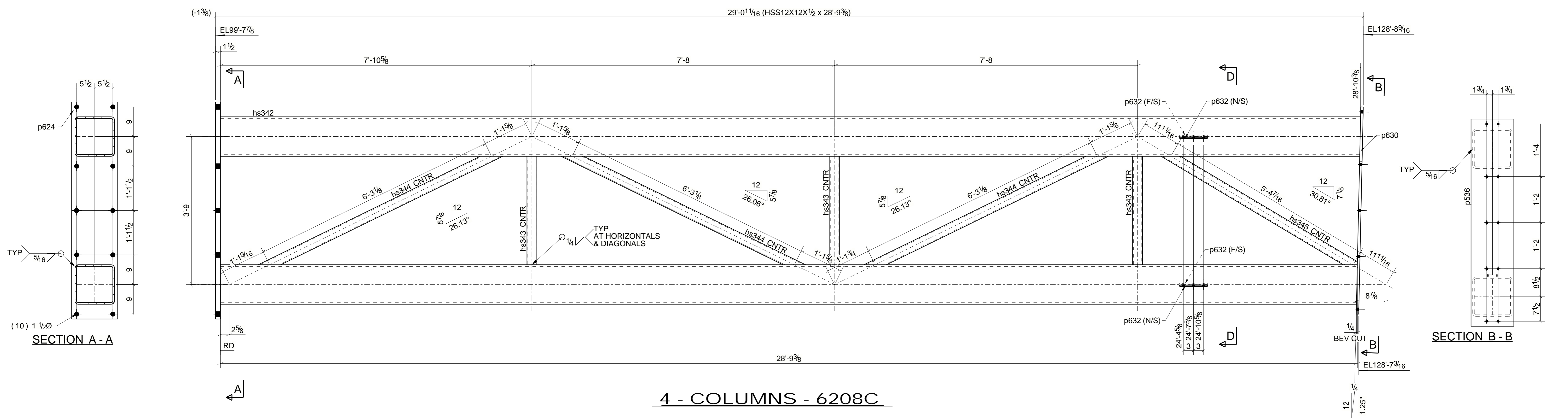
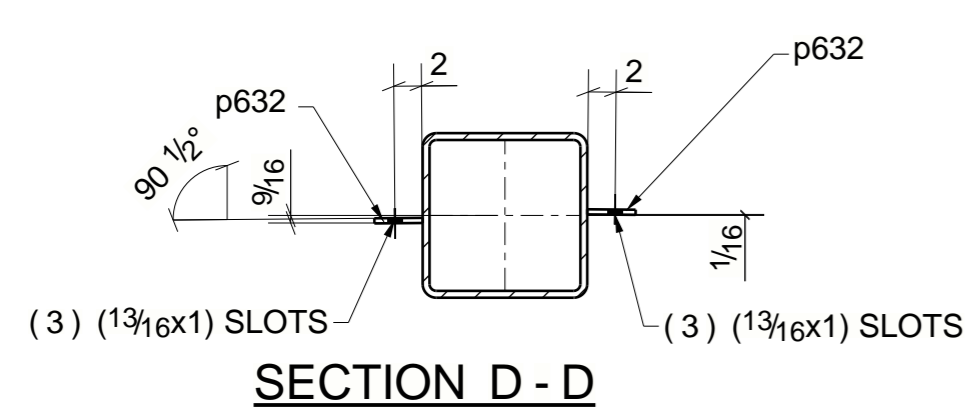
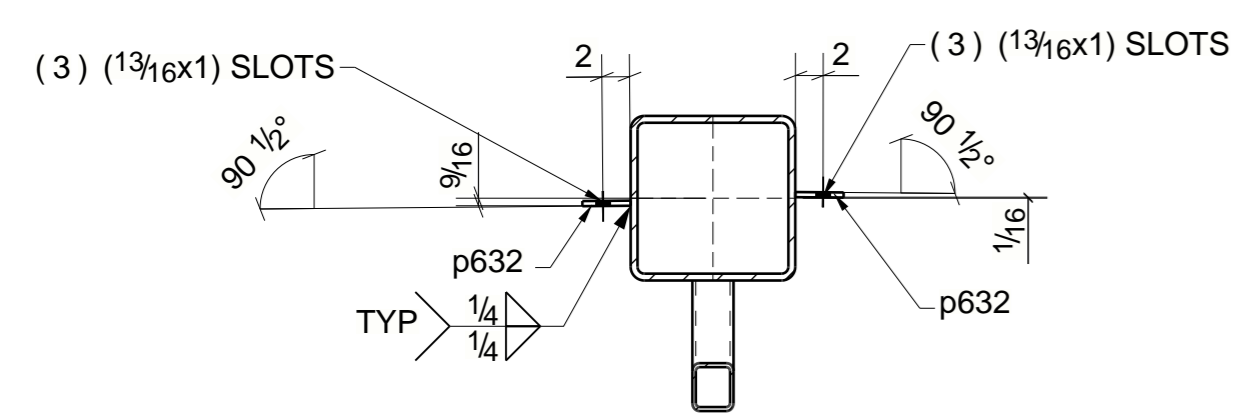
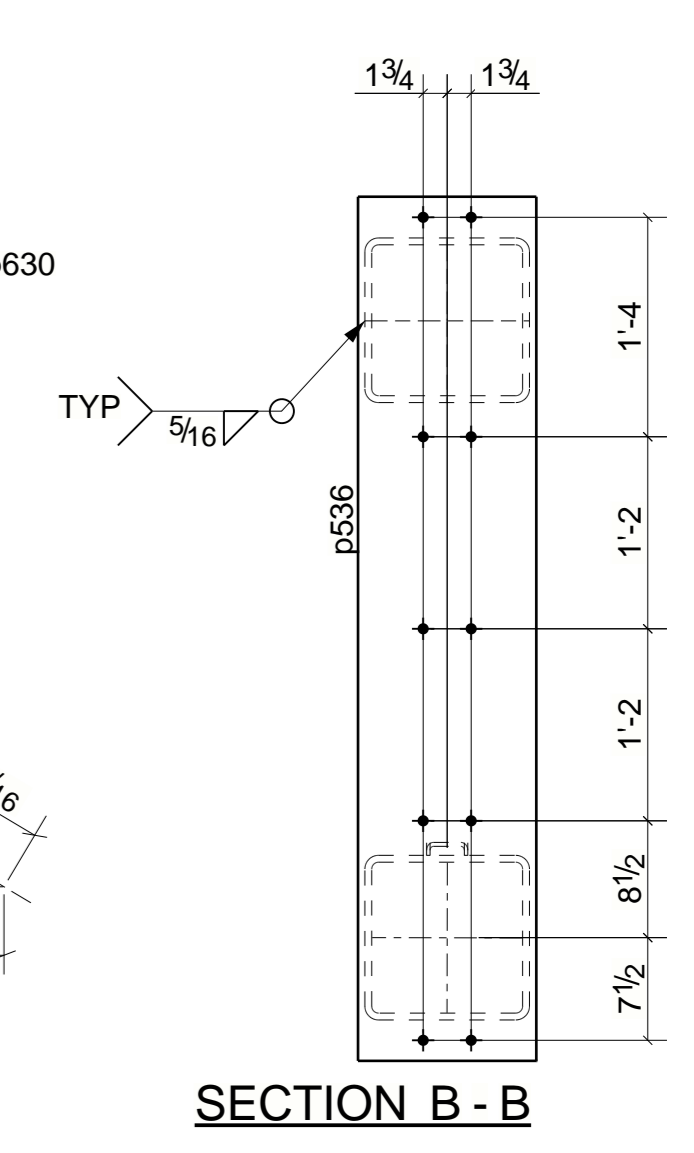
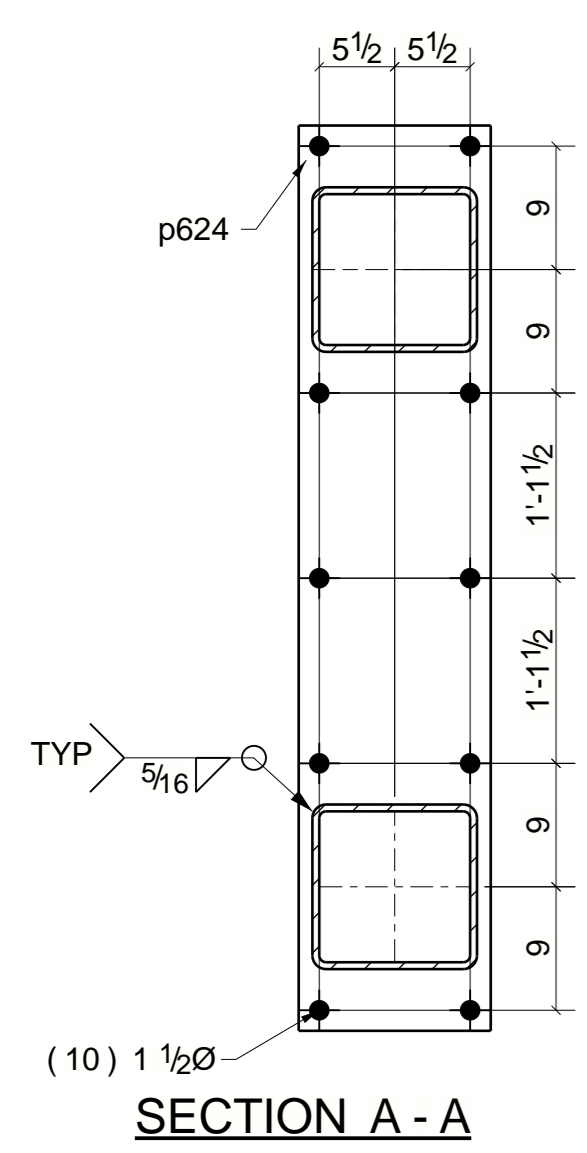


QTY	ERECT MK	NO.	SHAPE	LENGTH	ASSY MK	REMARKS	GRADE	WEIGHT UNIT	PAIN CODE
4	6208C								
1		1	HSS12X12X1/2	28-9 3/8	6208C	SQ-1/BEV-1	A500C	2046	120R
1		1	HSS12X12X1/2	28-10 3/8	hs342		A500C	2053	
3		3	HSS3X3X1/4	2-9	hs343		A500C	22	
3		3	HSS3X3X1/4	6-9 1/4	hs344		A500C	55	
1		1	HSS3X3X1/4	5-8 1/8	hs345		A500C	46	
1		1	PL3/4"X13"	5-3	p536		A36	174	
1		1	PL1 1/2"X14"	5-6	p624		A36	392	
4		4	PL3/8"X3 1/2"	0-8 1/2	p632		A36	2	
40		40	3/40 A325N_TC BOLT	0-2 1/2		Site			



4 - COLUMNS - 6208C



- Gen. Notes:
- Steel: A992 (Wide Flg Bms & Cols.)
 - Steel: A36
 - Steel Pipe: A53
 - Steel Tube: A500C
 - Welding: WELD/E70XX
 - Clean as Per Spec. SSPC-SP3
 - Paint: 120R
 - FIELD CONN (U.N.) 3/4 A325N_TC
 - SHOP CONN (U.N.) 3/4 A325N_TC
- OPEN HOLES 13/16" Ø UN/NTD | EDGE DISTANCE _____ UN/NTD

REV	DATE	DESCRIPTION	BY
△			
△			
△			
△			
△	07/07/2022	RELEASED FOR FABRICATION	MJC
△	05/26/2022	ISSUED FOR APPROVAL	MJC

NOTICE TO CONTRACTOR & ERECTOR
 Back charges for corrective work or replacement material are not allowed without prior written authorization by Thornton Steel Fort Worth before such costs are incurred.