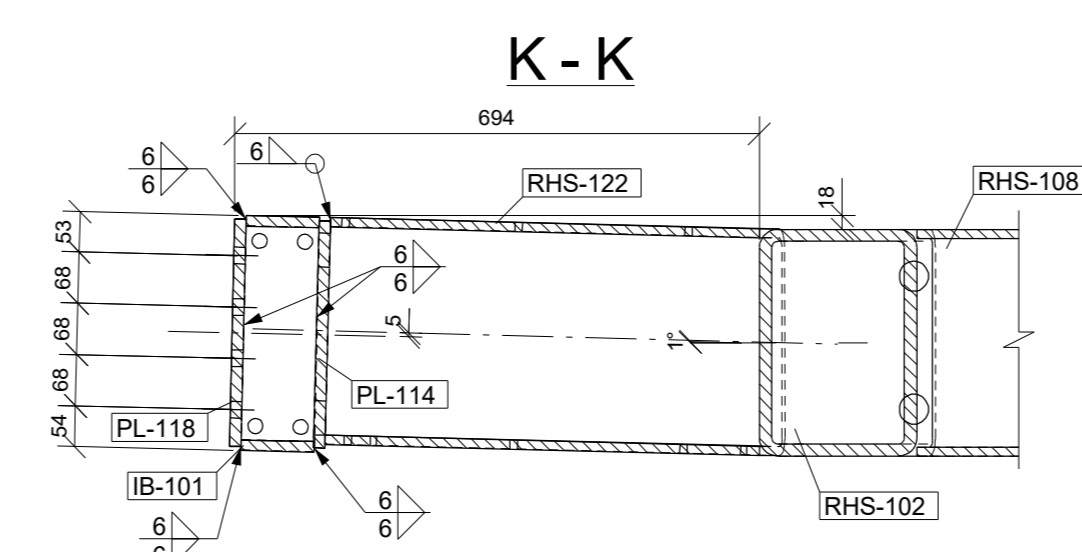
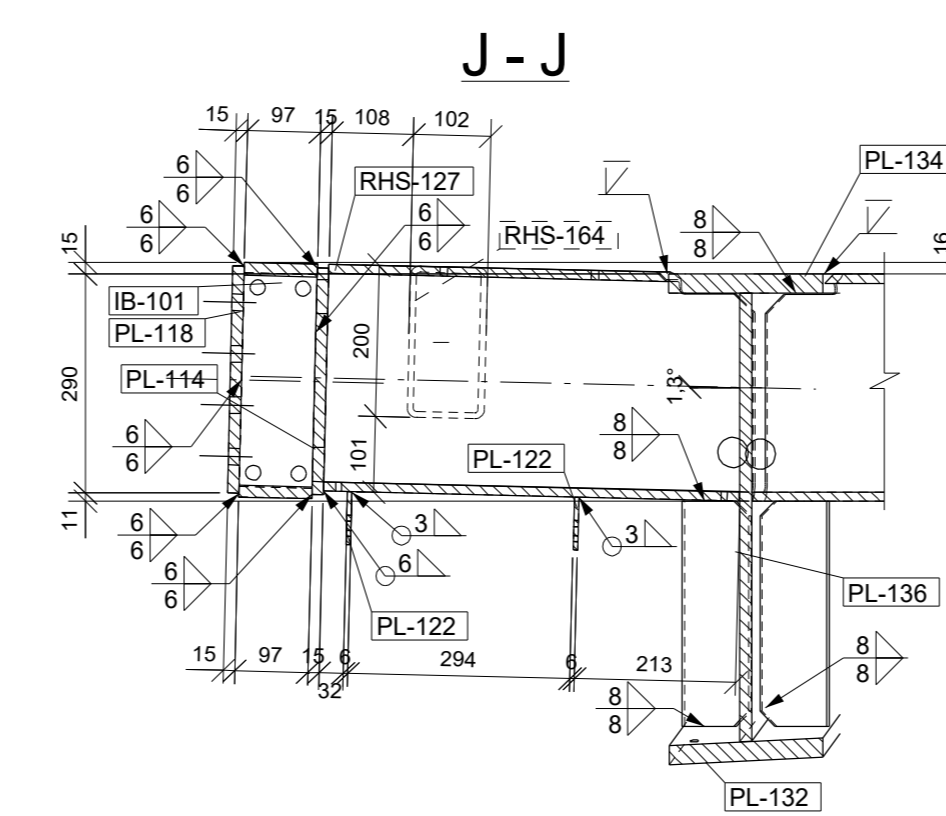
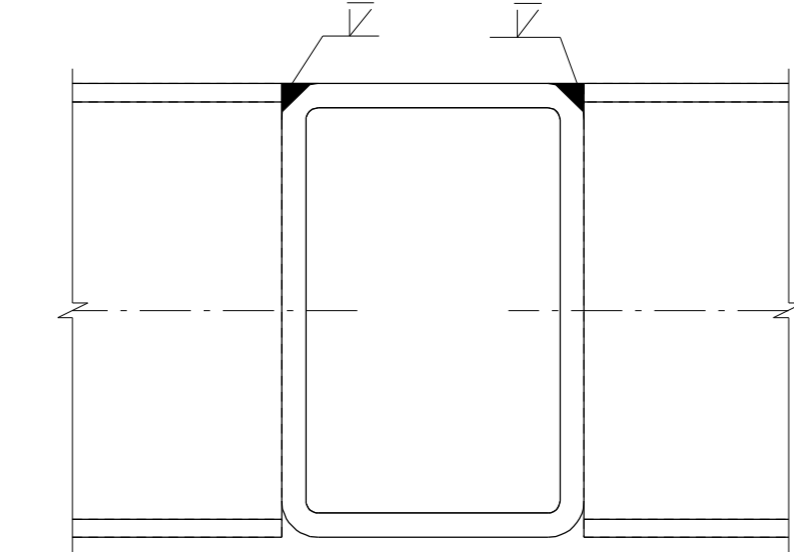


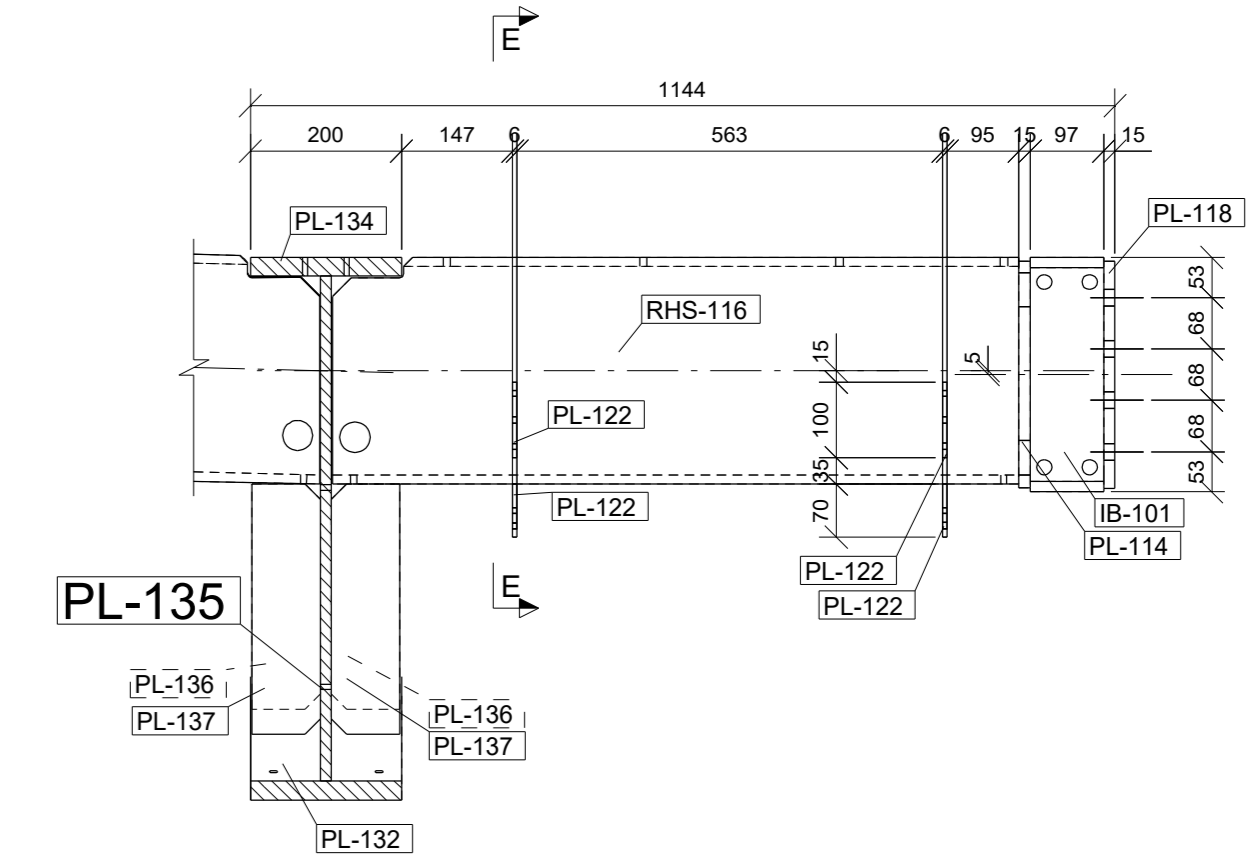
Note: hatch -> elements set in one plane



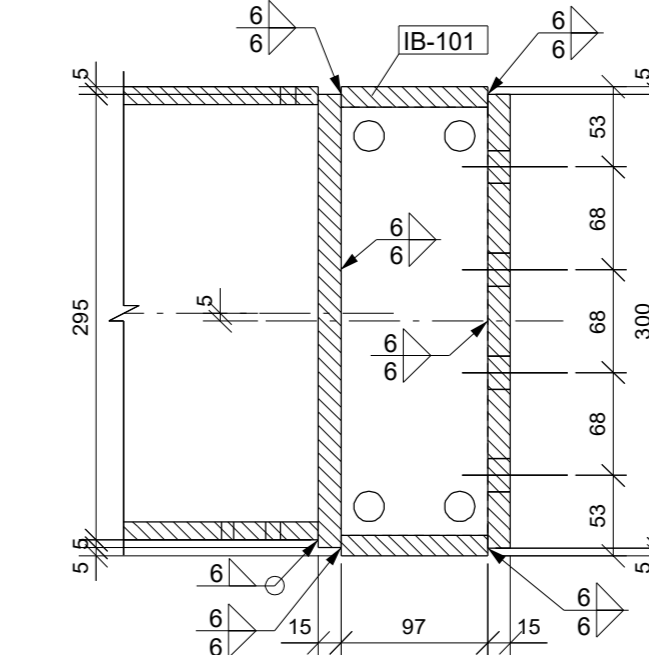
Weld at the top surface grinded in all cases!



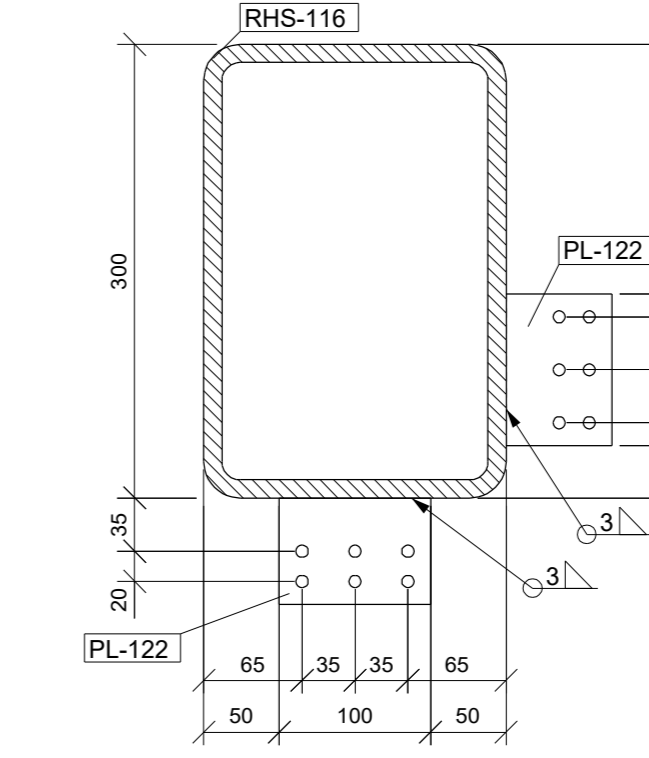
B-B



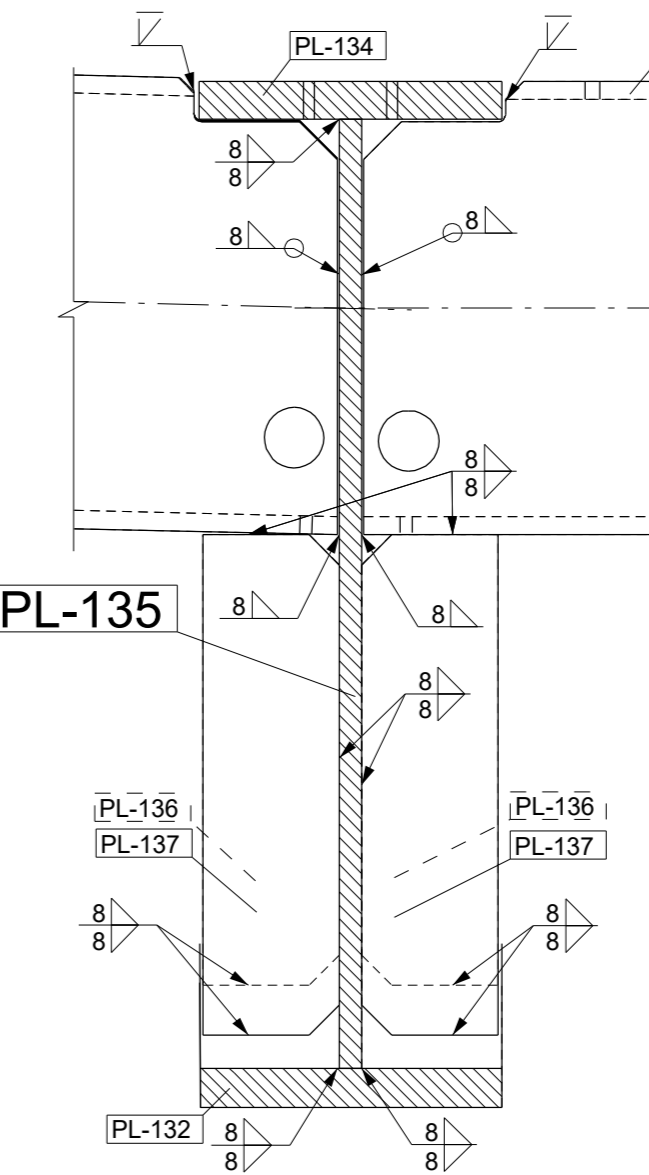
C-C



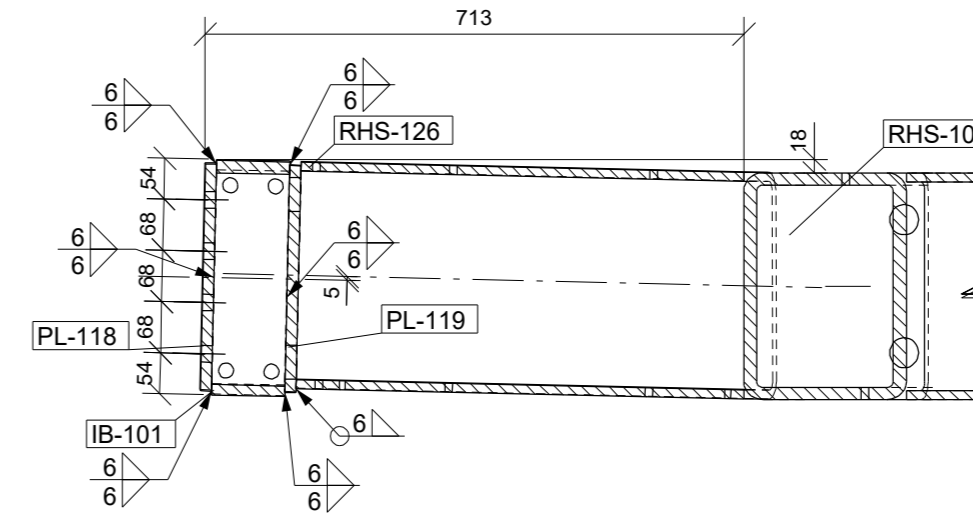
E-E



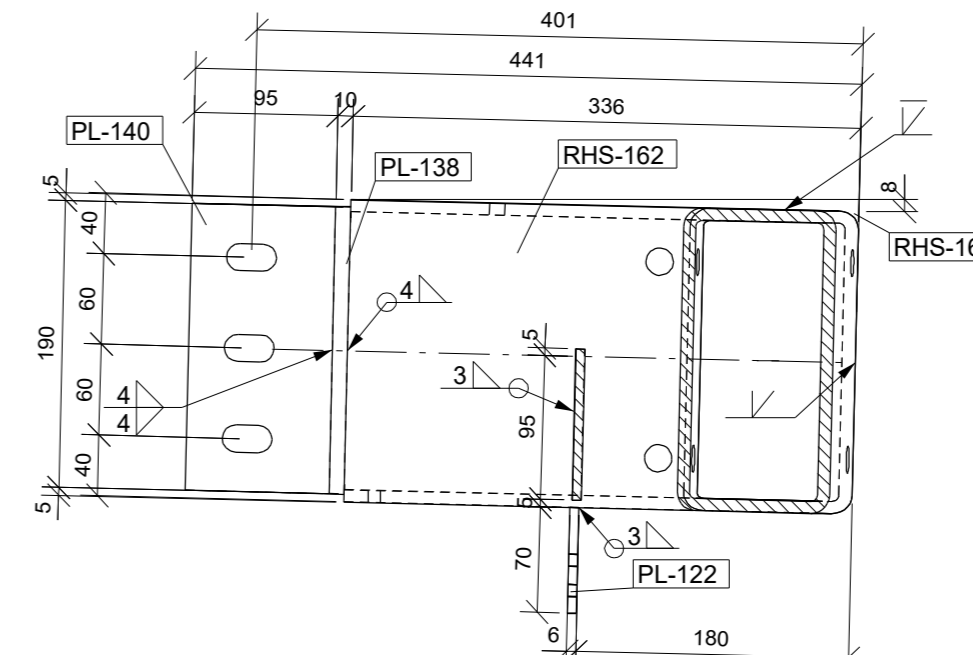
G-G



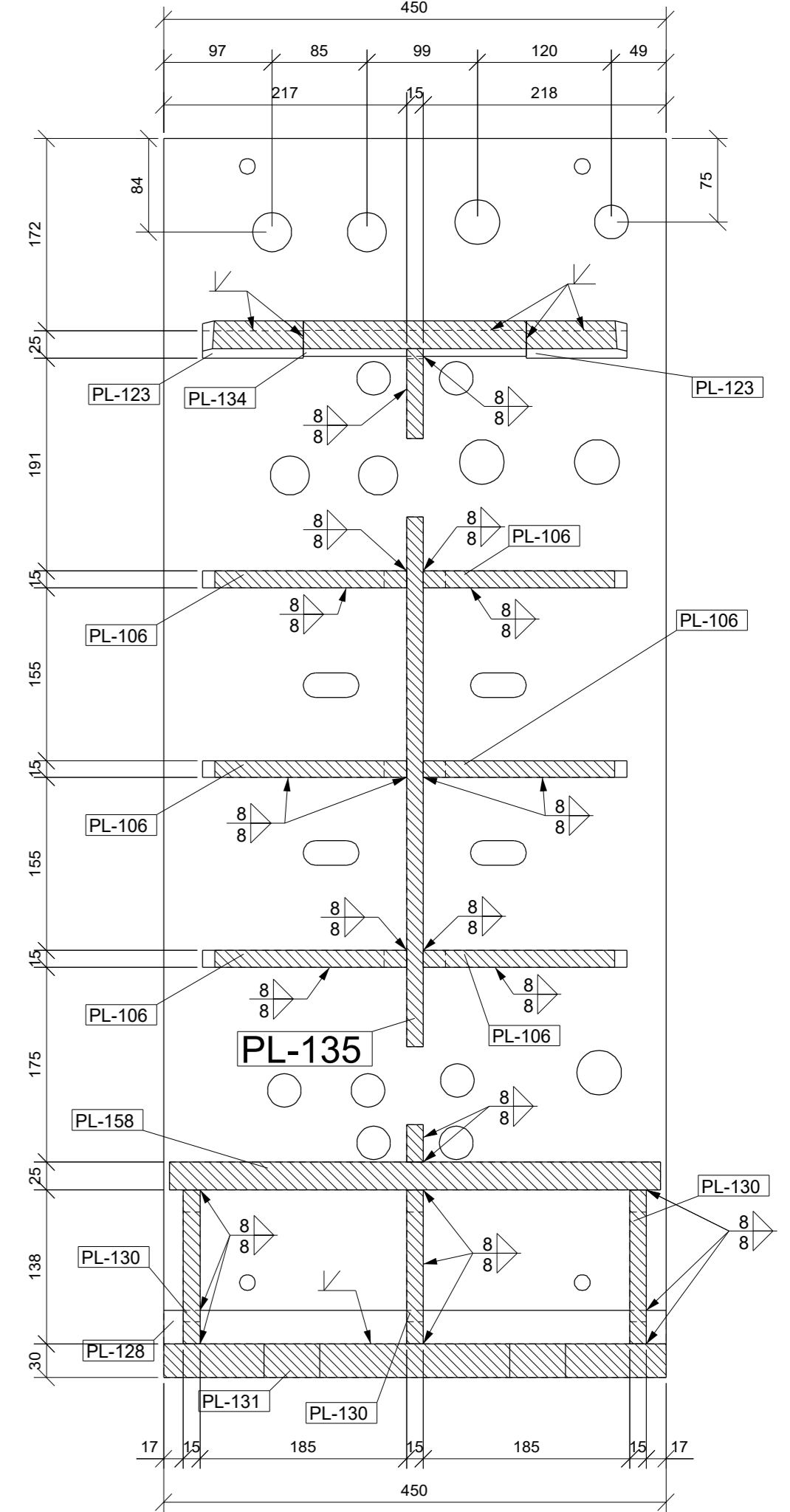
L-L



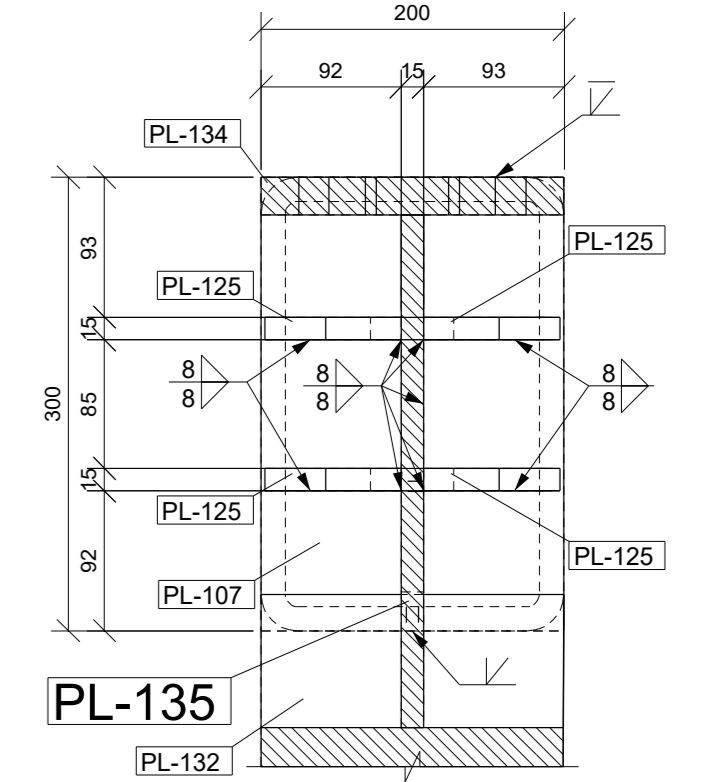
M-M



D-D



H-H



I-I

