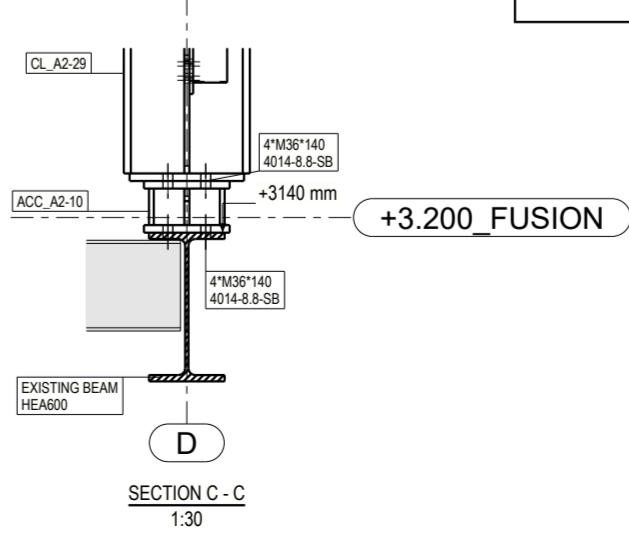
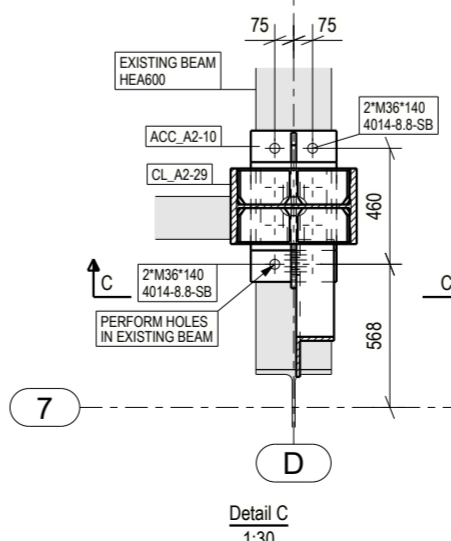
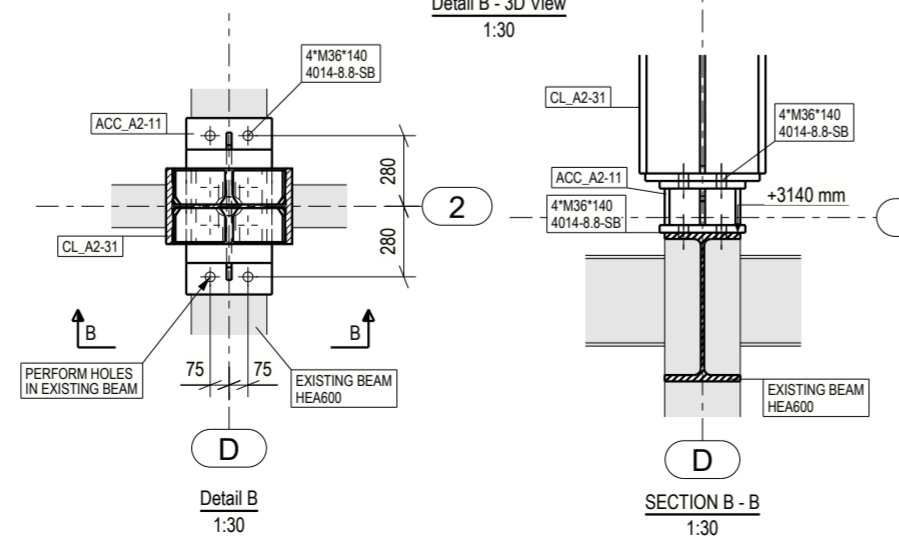
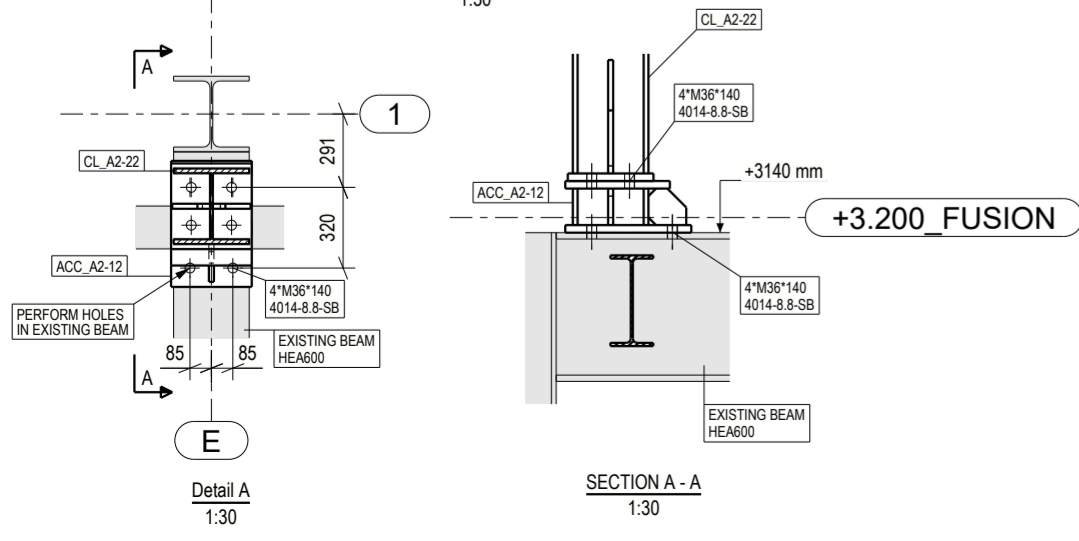
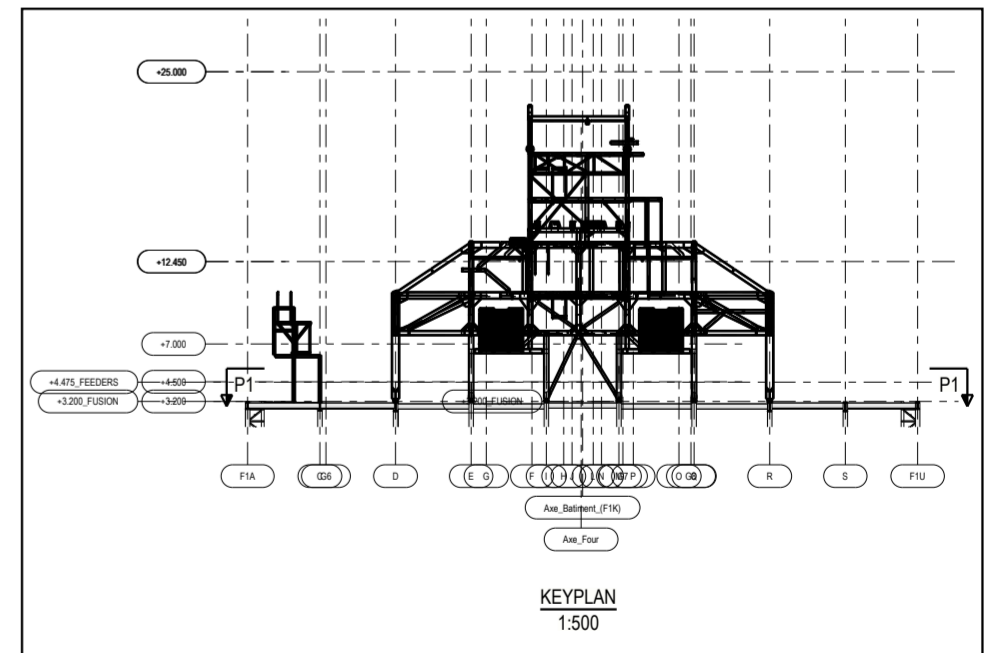
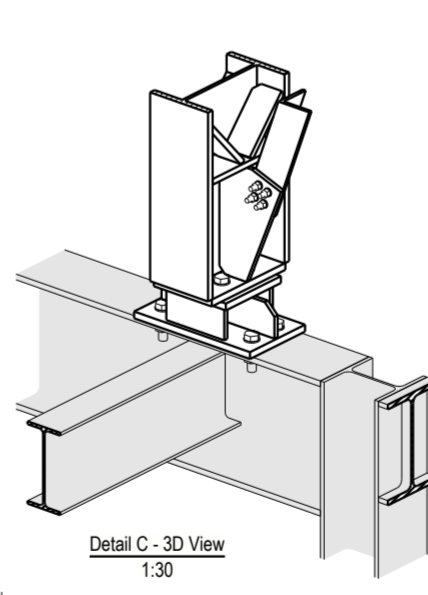
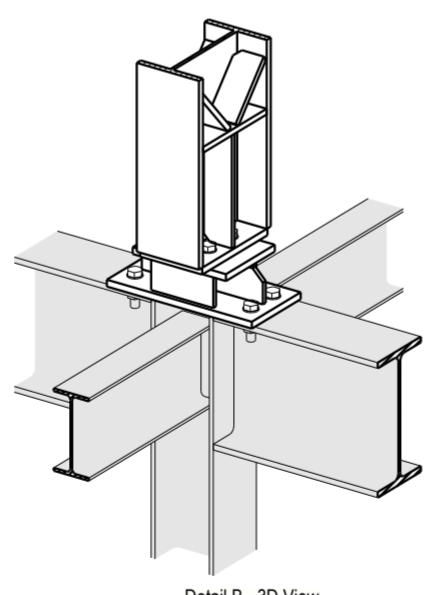
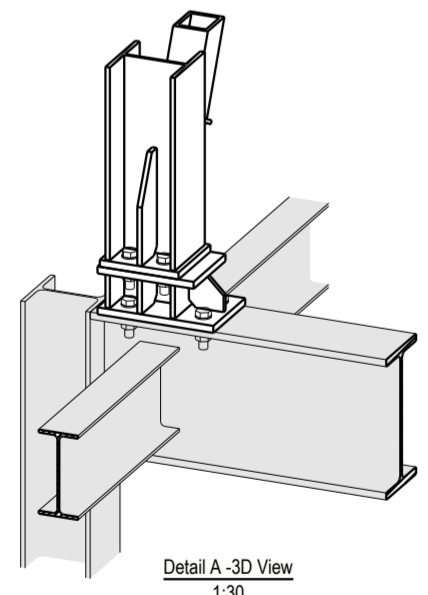


Axe\_Batiment\_(F1K)  
Axe\_Four

SECTION P1 - P1  
1:100



No	REV MARK	REVISION DESCRIPTION	REV DATE
1	0	FIRST ISSUE	23.05.2023

**OMNIKON**  
INDUSTRIAL DRYERS

Kościelna 29, 95-050, Konstantynów Łódzki, POLAND  
info@omnikon.pl  
+48 42 632 44 73

OBJECT: SILO AREA  
COGNAC, FRANCE

PROJECT: Verallia  
Avenue Claude BOUCHER, 16100 CHATEAUBERNARD

DRAWING NAME	SILO AREA - POSITIONING PLAN	DATE	SCALE
PHASE	WORKSHOP DOCUMENTATION	23.05.2023	1:30
BRANCH	STEEL STRUCTURE		1:100
DESIGN	M. Sc., Eng. Maciej Listewnik M. Sc., Eng. Karol Nowak M. Sc., Eng. Rafał Kossakowski	DRAWING NUMBER	FORMAT
		00G1-SL041-0	A2