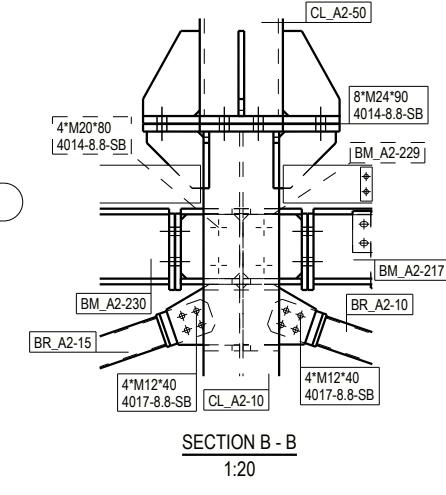
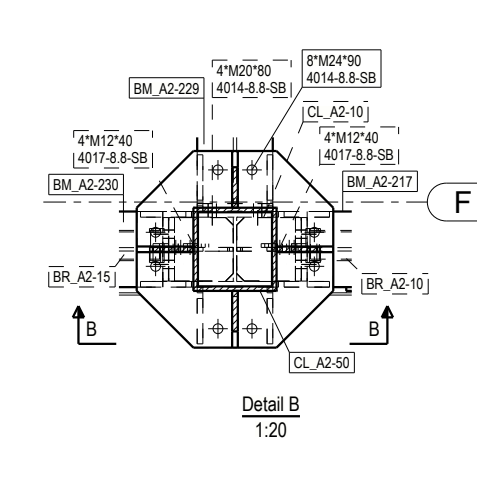
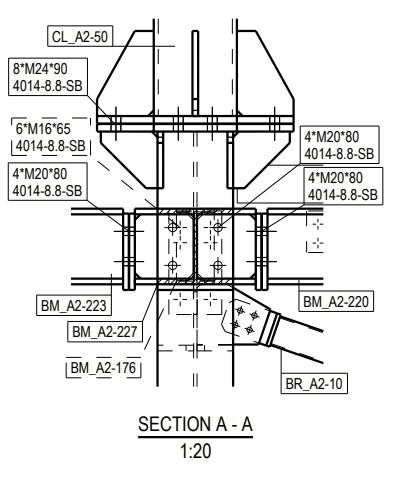
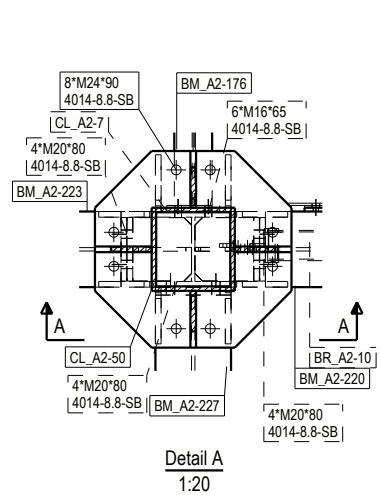


SILO AREA - LEVEL +18,694m +19,633m
1:40



1	0	FIRST ISSUE	23.05.2023
No	REV MARK	REVISION DESCRIPTION	REV. DATE
			Kościelna 29, 95-050, Konstancinów Łódzki, POLAND info@omnikon.pl +48 42 632 44 73
OBJECT: SILO AREA COGNAC, FRANCE Avenue Claude BOUCHER, 16100 CHATEAUBERNARD			
DRAWING NAME		SILO AREA - LEVEL +18,694m +19,633m	
PHASE		WORKSHOP DOCUMENTATION	
BRANCH		STEEL STRUCTURE	DATE 23.05.2023
DESIGN		M. Sc., Eng. Maciej Listewnik M. Sc., Eng. Karol Nowak M. Sc., Eng. Rafał Kossakowski	SCALE 1:20 1:40
		DRAWING NUMBER COGF-SILO-13-0	FORMAT A3