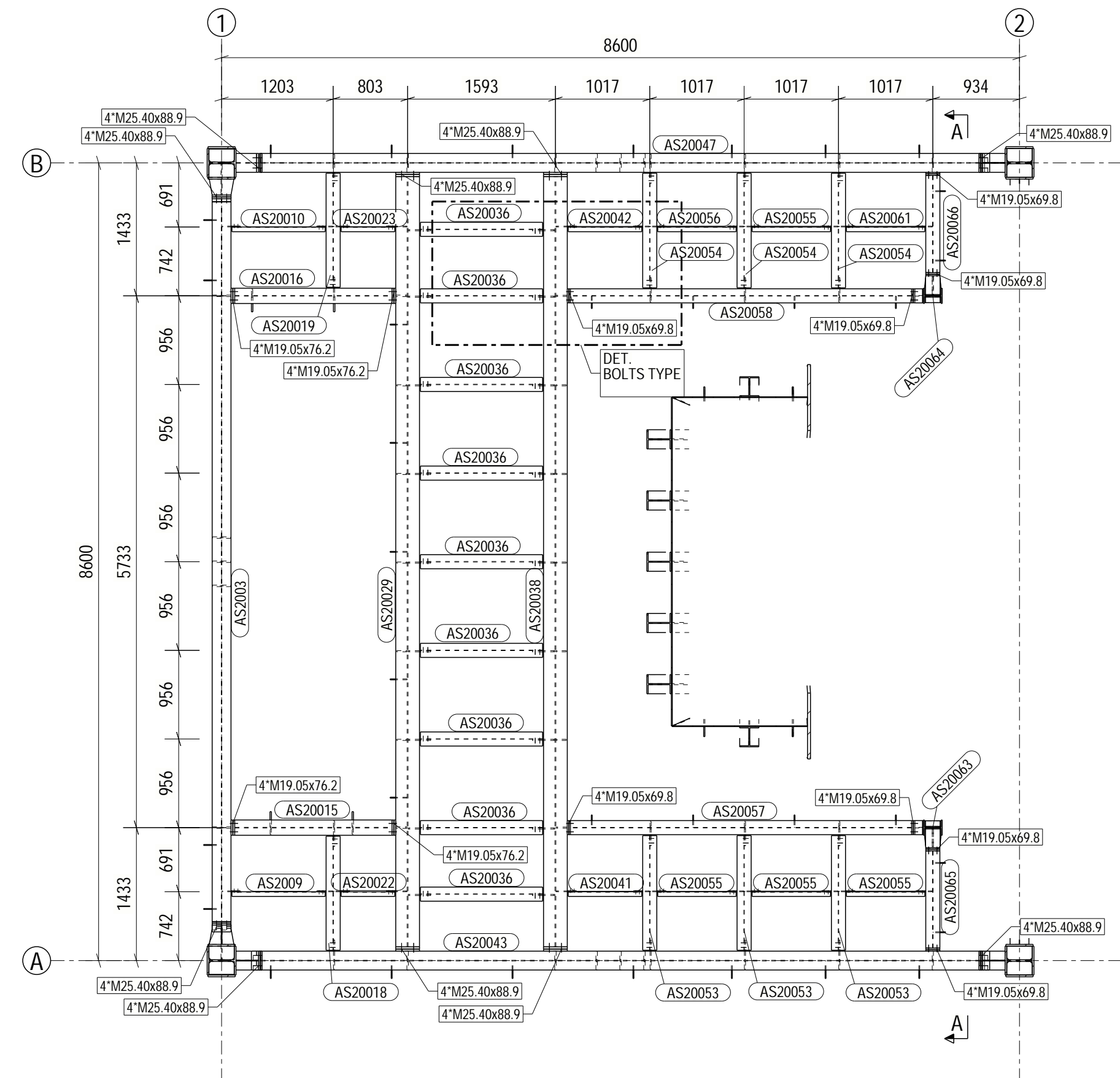
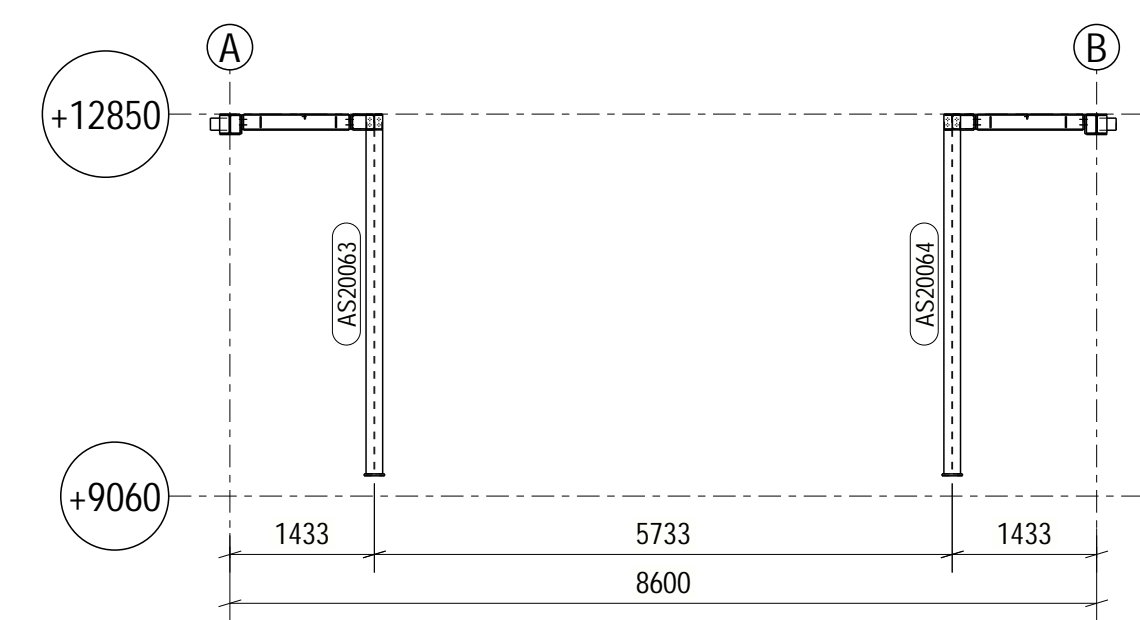
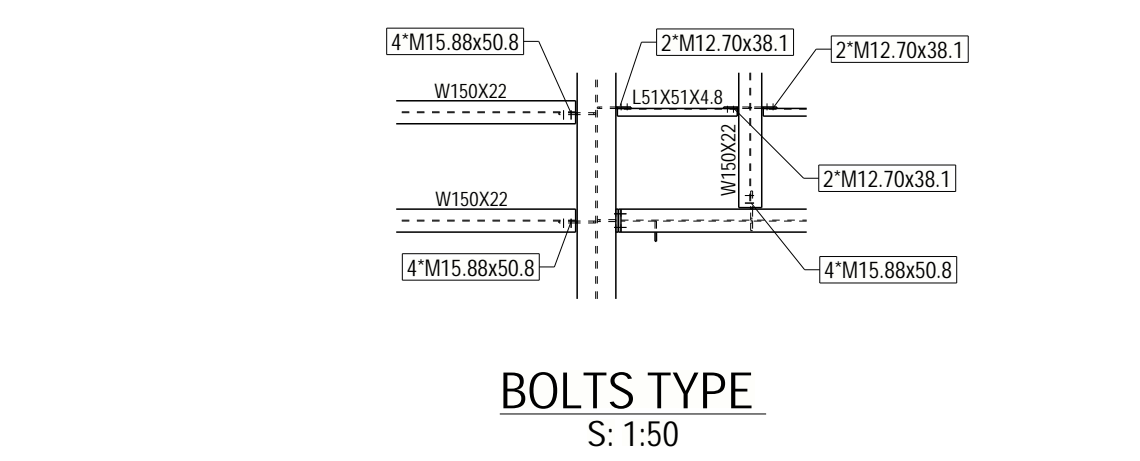


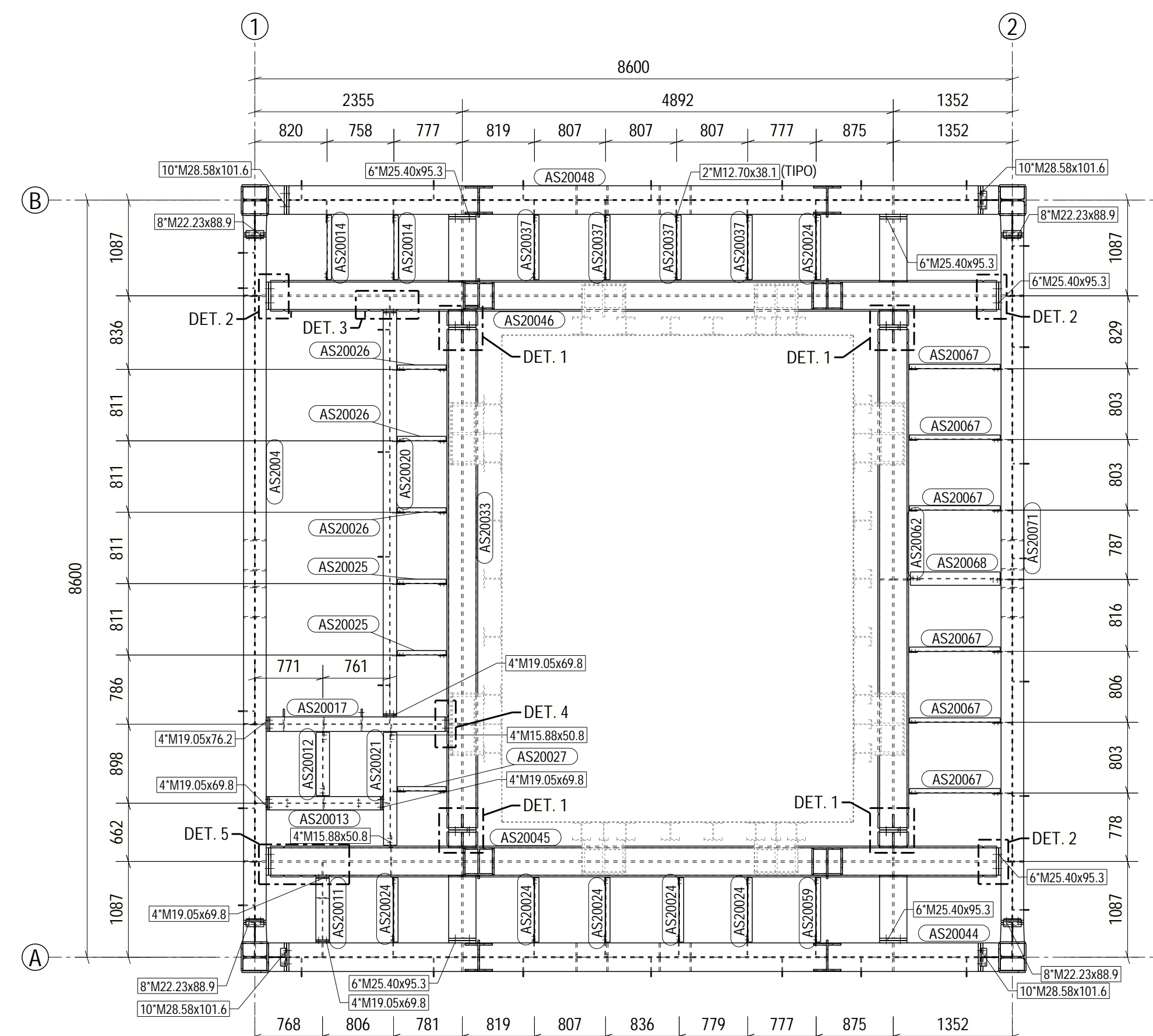
3D - STRUCTURE
N/S



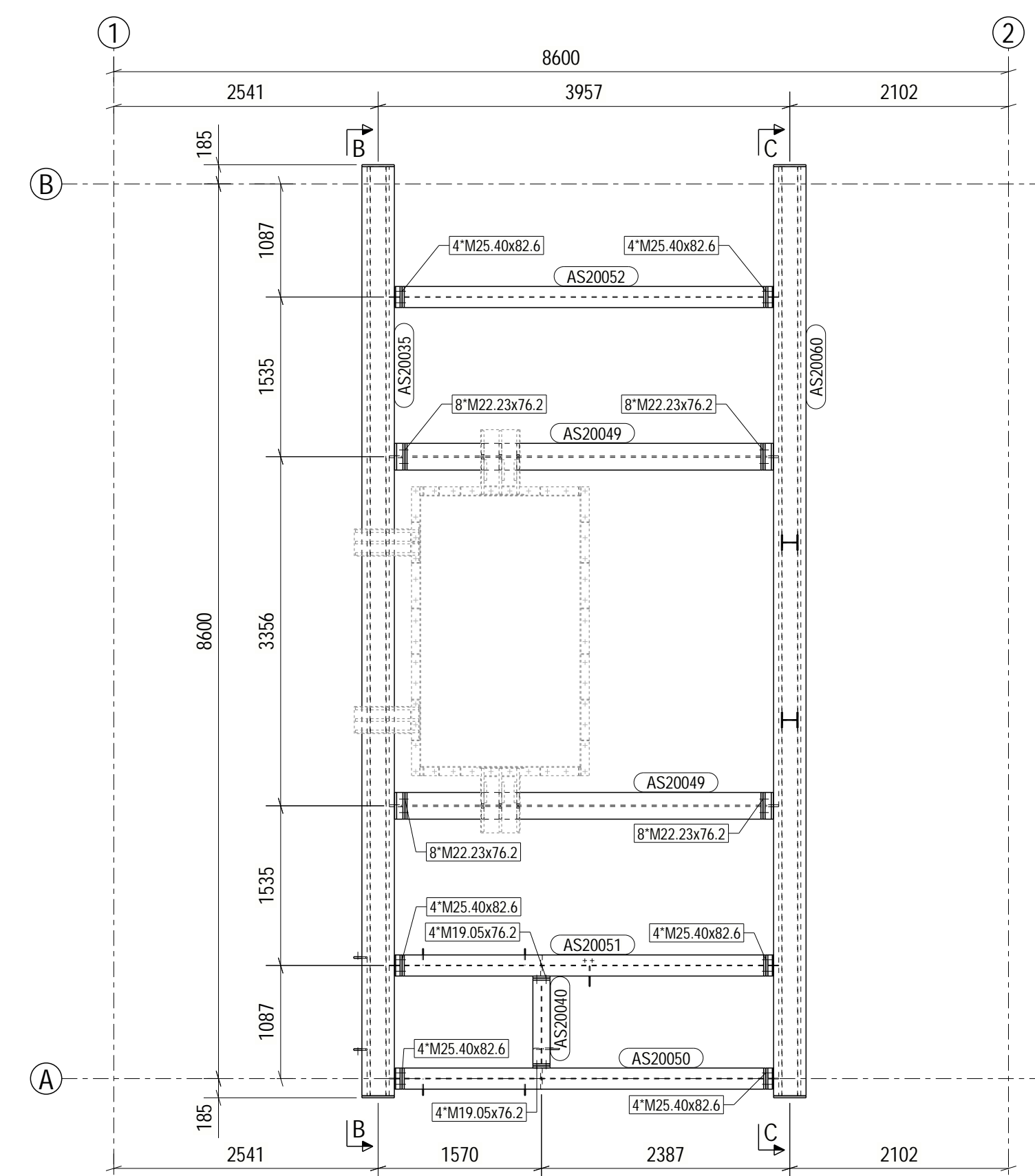
ELEV. +12.850
S: 1:50



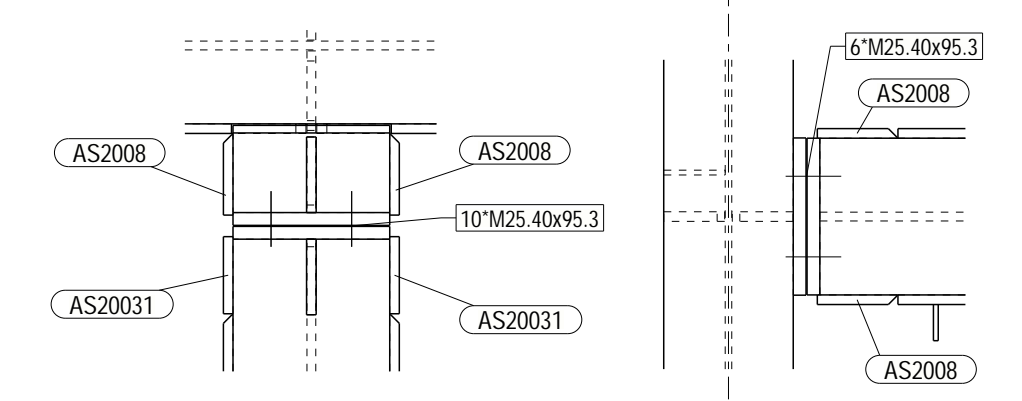
A - A
S: 1:75



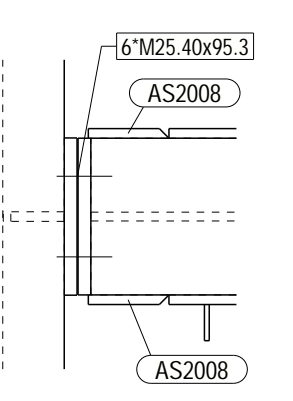
ELEV. +15.860
S: 1:50



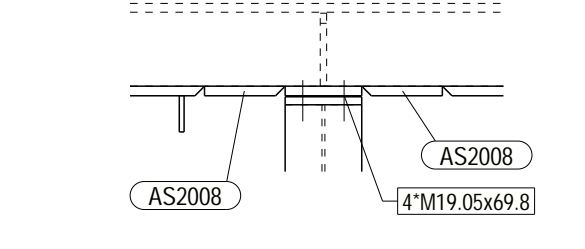
ELEV. +17.266
S: 1:50



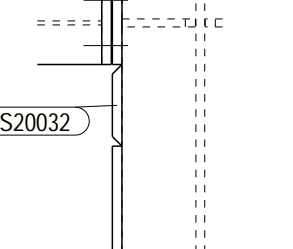
DETAIL 1
S: 1:15



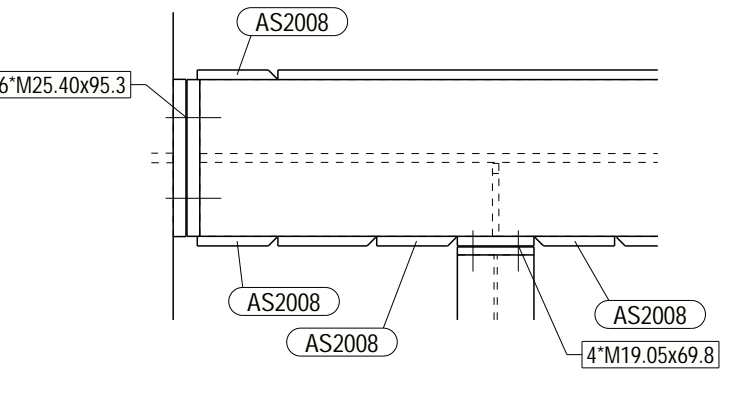
DETAIL 2
S: 1:15



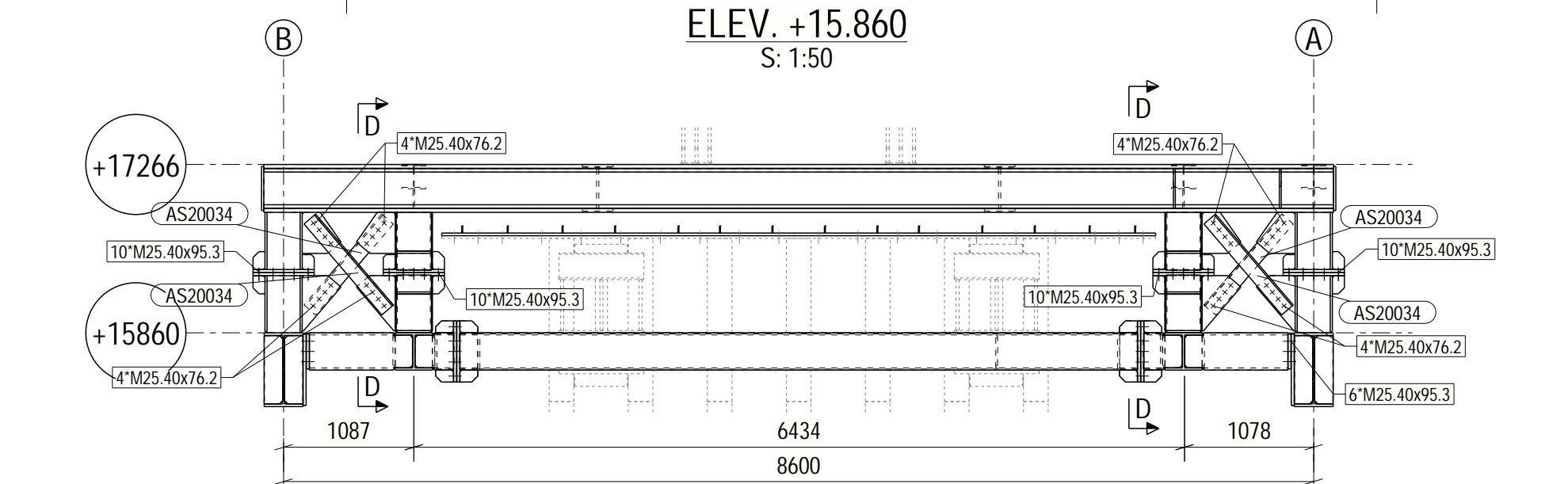
DETAIL 3
S: 1:15



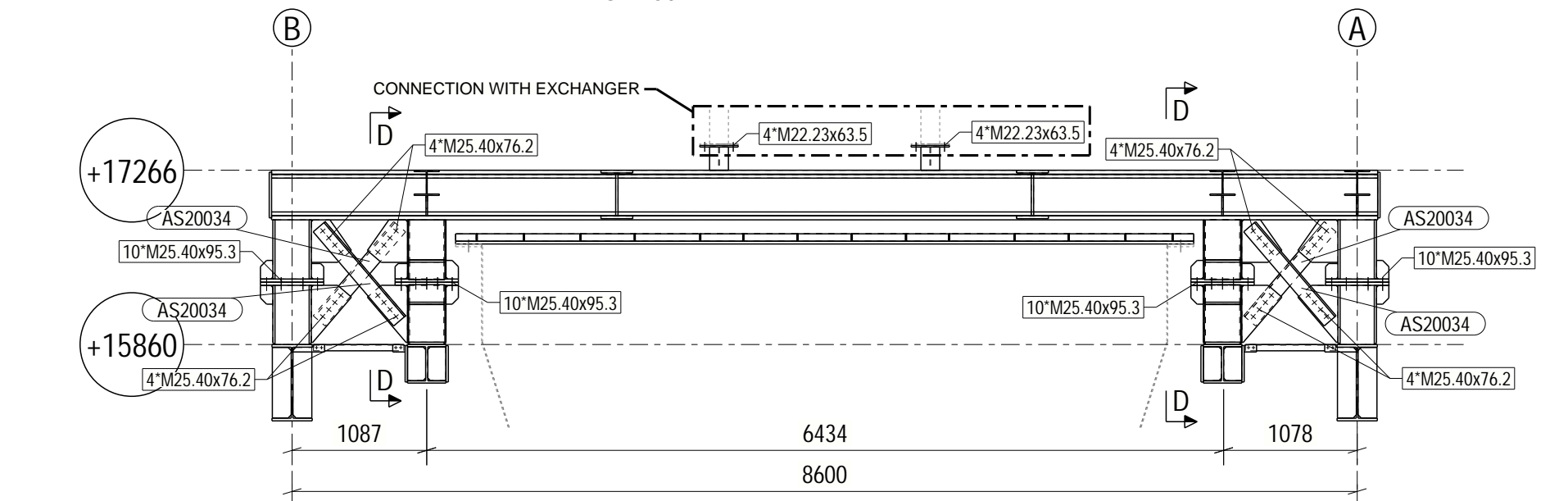
DETAIL 4
S: 1:15



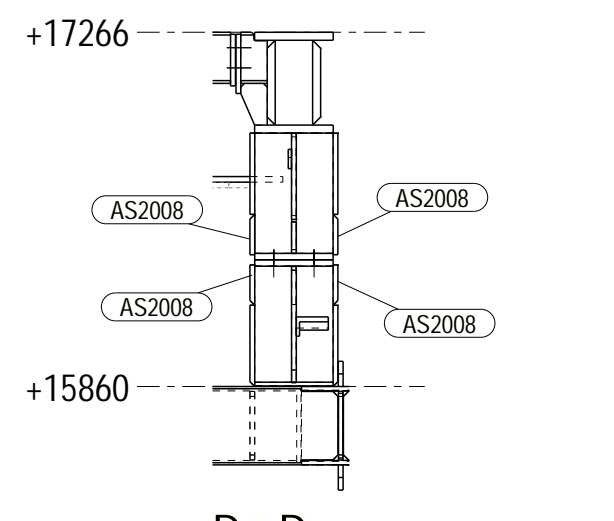
DETAIL 5
S: 1:15



B - B
S: 1:50



C - C
S: 1:50



D - D
S: 1:30

KEY PLAN

REFERENCE DRAWINGS

DRAWING NAME	DRAWING N°

NOTES:
1. ALL DIMENSIONS ARE IN MILLIMETERS. UNLESS OTHERWISE INDICATED, ALL DIMENSIONS ARE OF THE AXIS OF PILLARS AND BEAMS, OF THE BACK OF U-TYPE BEAMS AND ANGLES. THE WORKING POINTS OF THE BRACES WILL BE IN THE CENTER OF THE BEAM OR COLUMN UNLESS OTHERWISE INDICATED.

GENERAL STRUCTURE NOTES:
* THE STEEL OF THE PROFILES WILL BE A-572 Gr50 AND PLATES WILL BE A-36.
* IN THE AREAS OF WATER ACCUMULATION, DRAINAGE HOLES OF Ø14 mm WILL BE DONE FOR ITS EVACUATION.

BOLTS NOTES:
* THE BOLTS OF THE MAIN STRUCTURE WILL BE OF HIGH RESISTENCE. ACCORDING TO ASTM A325
* THE BOLTS OF EXCHANGER STRUCTURE WILL BE OF HIGH RESISTENCE ACCORDING TO... ASTM A325
* FOR ASSEMBLY, THE SCREWS SHALL BE TIGHTENED TO THE "FULL TIGHT" CONDITION, WITHOUT PRETENSIONING THE SCREW.
1 NUT AND 2 WASHERS WILL BE PLACED ON ALL SCREWS.
THE FINISH OF THE SCREWS WILL BE GALVANIZED.

0	02/12/22	APPROVED FOR CONSTRUCTION	MAR	SGM	DVA
REV	DATE	DESCRIPTION	DRWN	CHKD	APPRD
TITLE:		TORRE Y HORNO			
SITUATION:					
PLAN TYPE:		ASSEMBLY PLANE			
DRAWING NAME:		A-MOD2-PHASE 200 STRUCTURE			
SCALE:		FORM:		DRAWING N°:	
1:15	1:30	AO		22127-M-EST-20-001	015
PROJECT:		SHEET:		REV:	
22127-M-EST-20-001-015-0.dwg		015		0	