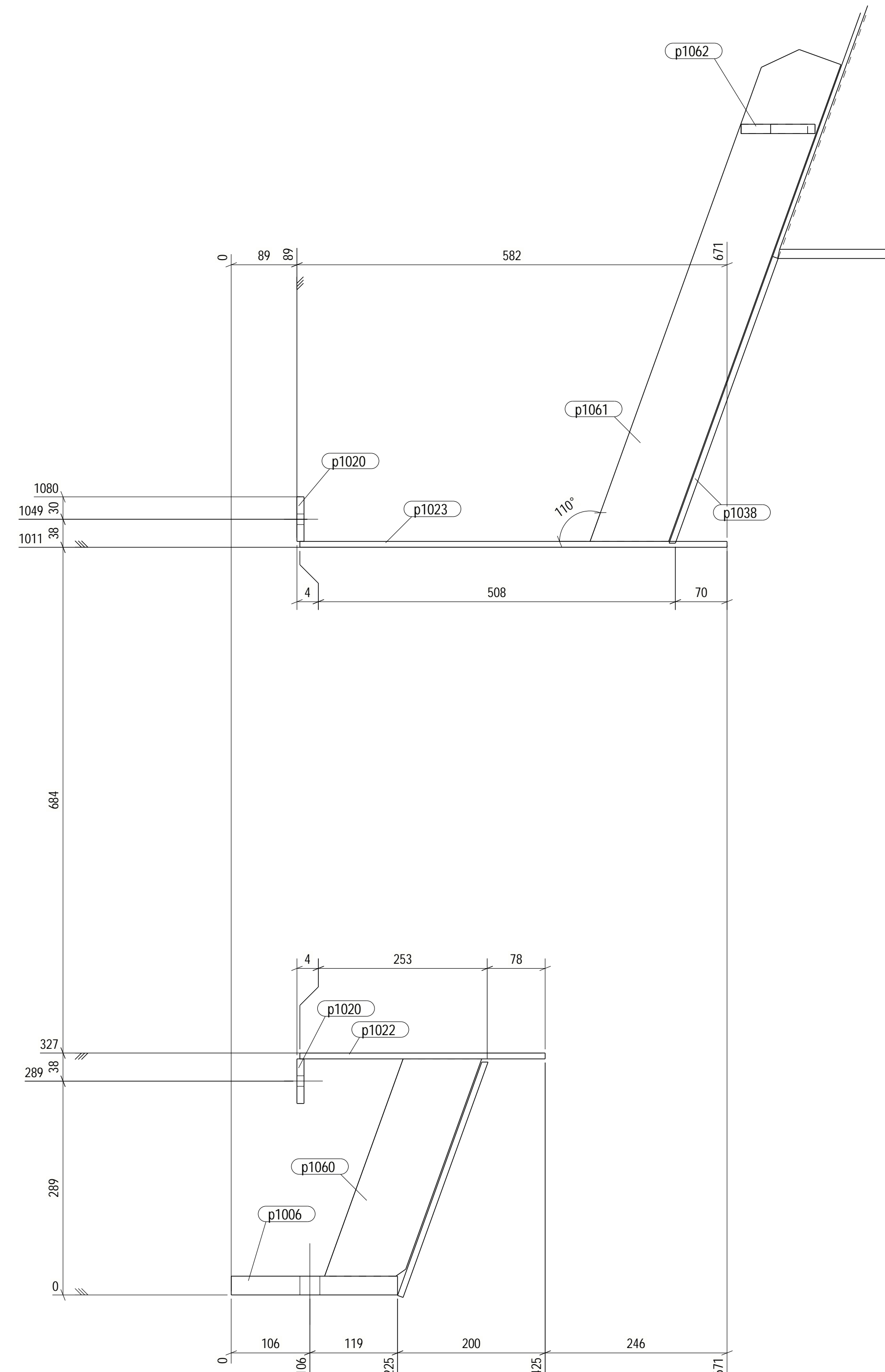
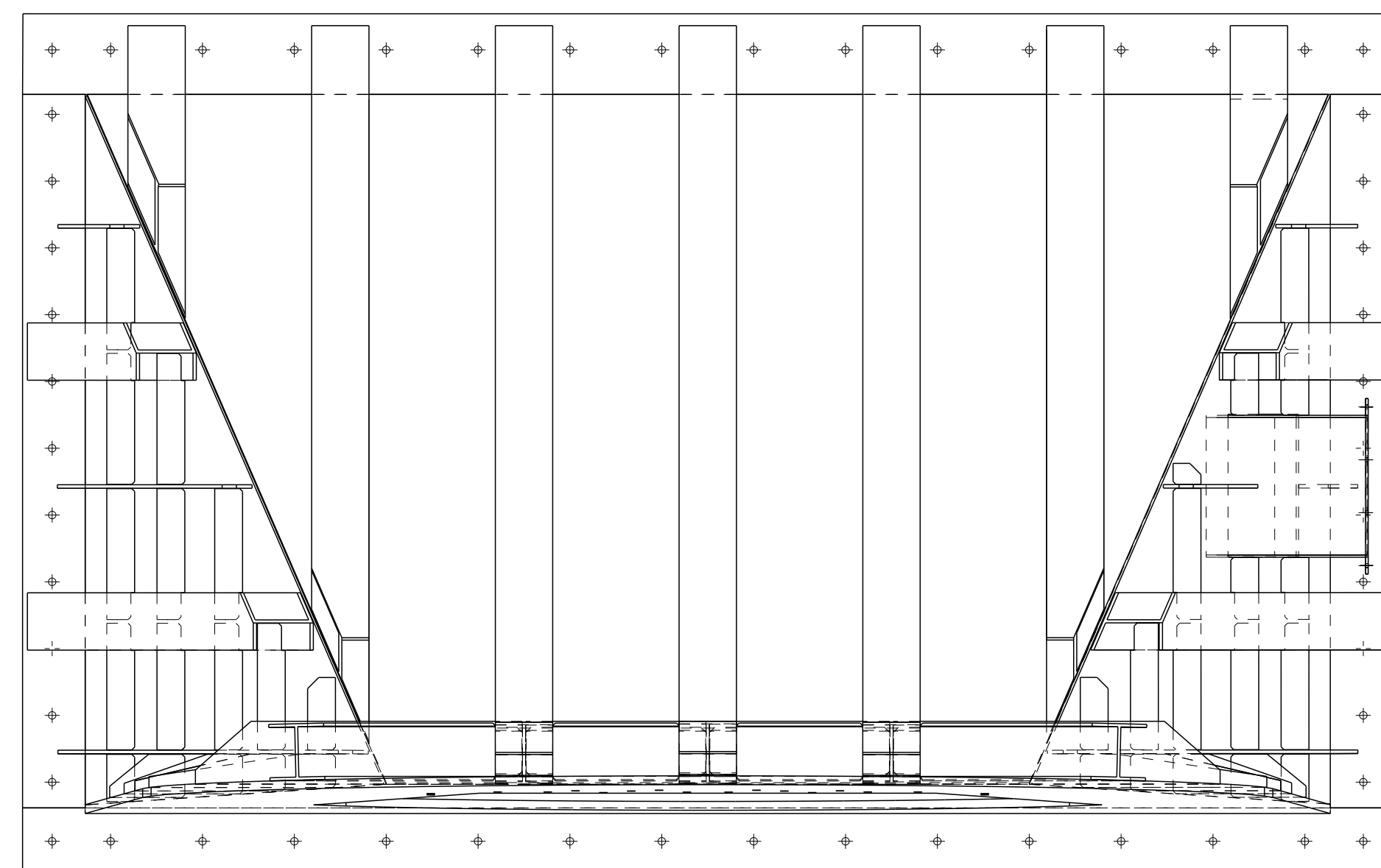


A - A
S: 1:15



B - B
S: 1:5

ASSEMBLY MATERIAL LIST		MARK: A1015		QTE: 1		
PLAN ASSEMBLY: 22127-M-10		NAME OF THE PHASE		INTERCAMBIADOR		
NAME	MARK	DESCRIPTION	MATERIAL	QTE	LENGTH (mm)	WEIGHT (kg)
PLATE	p1001	PL1147X164 9/16"	A36	1	4473	2576.94
PLATE	p1005	PL17X8 7/8"	A36	1	4923	221.26
PLATE	p1006	PL17X8 7/8"	A36	2	2564	230.06
PLATE	p1007	PL5/16X152 3/16"	A36	1	4458	815.18
PLATE	p1008	PL5/16X78 15/16"	A36	1	4012	250.70
PLATE	p1019	PL3/8X2 3/8"	A36	2	700	6.31
PLATE	p1020	PL3/8X2 3/8"	A36	2	630	5.68
PLATE	p1021	PL5/16X22 3/4"	A36	2	684	38.79
PLATE	p1022	PL5/16X13 1/16"	A36	1	494	10.21
PLATE	p1023	PL5/16X19 7/16"	A36	1	578	17.79
BEAM	p1024	HP200X53	A36	3	4021	647.71
BEAM	p1025	HP200X53	A36	1	1205	64.71
PLATE	p1026	PL17X8 7/8"	A36	2	647	57.30
BEAM	p1027	HP200X53	A36	2	645	69.25
BEAM	p1028	HP200X53	A36	1	909	48.83
PLATE	p1029	PL17X8 7/8"	A36	2	1174	98.11
BEAM	p1030	HP200X53	A36	1	910	48.85
PLATE	p1031	PL3/8X8 1/8"	A36	1	266	4.11
PLATE	p1031	PL3/8X8 1/8"	A36	2	267	8.23
PLATE	p1032	PL3/8X2 15/16"	A36	3	206	3.47
BEAM	p1033	HP200X53	A36	1	2465	132.33
PLATE	p1034	PL1/2X3 15/16"	A36	2	3010	59.49
PLATE	p1035	PL1/2X3 15/16"	A36	1	1780	17.48
PLATE	p1036	PL1/2X4 11/16"	A36	2	670	11.61
PLATE	p1037	PL1/2X3 15/16"	A36	2	260	5.01
PLATE	p1038	PL5/16X78 15/16"	A36	1	4016	227.13
BEAM	p1040	HP200X53	A36	1	1404	75.38
BEAM	p1041	HP200X53	A36	1	1075	57.73
BEAM	p1042	HP200X53	A36	1	3789	203.47
BEAM	p1043	HP200X53	A36	1	3790	203.50
BEAM	p1044	HP200X53	A36	1	1400	75.18
BEAM	p1045	HP200X53	A36	1	1226	65.81
PLATE	p1046	PL1/2X5 3/16"	A36	2	540	10.27
PLATE	p1047	PL1/2X3 15/16"	A36	4	455	17.58
PLATE	p1048	PL1/2X5 5/8"	A36	1	425	4.47
PLATE	p1049	PL1/2X6 1/8"	A36	2	270	6.72
PLATE	p1050	PL1/2X3 15/16"	A36	2	170	3.36
PLATE	p1051	PL1/2X3 15/16"	A36	3	471	13.67
PLATE	p1052	PL1/2X3 15/16"	A36	1	471	4.55
PLATE	p1052	PL1/2X3 15/16"	A36	2	471	9.11
PLATE	p1053	PL1/2X3 15/16"	A36	2	590	11.23
PLATE	p1054	PL1/2X3 15/16"	A36	2	436	8.41
BEAM	p1055	HP200X53	A36	1	2589	139.02
BEAM	p1056	HP200X53	A36	1	1225	65.76
PLATE	p1057	PL1/2X3 15/16"	A36	4	455	17.58
PLATE	p1058	PL1/2X5 5/8"	A36	1	425	4.50
PLATE	p1059	PL1/2X3 15/16"	A36	1	223	2.08
PLATE	p1059	PL1/2X3 15/16"	A36	3	223	6.26
PLATE	p1060	PL1/2X3 15/16"	A36	1	249	3.11
PLATE	p1061	PL1/2X3 15/16"	A36	1	722	6.94
PLATE	p1062	PL1/2X2 15/16"	A36	1	100	0.66
PLATE	p1267	PL1\"X11 7/16"	A36	1	4923	284.57
TOTAL WEIGHT:						7035.19



S: 1:20

TABLE OF APPROVAL 1. APPROVED 2. APPROVED WITH COMMENTS, CORRECT AND SEND 3. APPROVED, INTEGRATE COMMENTS AGAIN 4. NO APPROVED REVIEW AND RESEND		NOTES ALL DIMENSIONS ARE IN mm CALCULATE JOINTS SIZE OF FILLET WELDS ARE REPRESENTED IN JOINT MINIMUM SIZE OF FILLET WELDS SHALL BE 3mm UNLESS OTHERWISE SPECIFIED FUNCTIONAL TOLERANCES ACCORDING TO ASIC EXCEPT FOR STEEL STRUCTURES		PROJECT: TORRE Y HORNO MARK & REV.: A1015_R1 PROJECT NO: 1 SCALE: 1:5 ZONE & PHASE: 0 - 10	
DATE: 04/02/2024 BY: SGM CHECK: 08/09/2022 DRAWER: 18/04/2023	DATE: 08/09/2022 CHECK: 18/04/2023	DATE: 18/04/2023 CHECK: 18/04/2023	DATE: 18/04/2023 CHECK: 18/04/2023	DATE: 18/04/2023 CHECK: 18/04/2023	DATE: 18/04/2023 CHECK: 18/04/2023