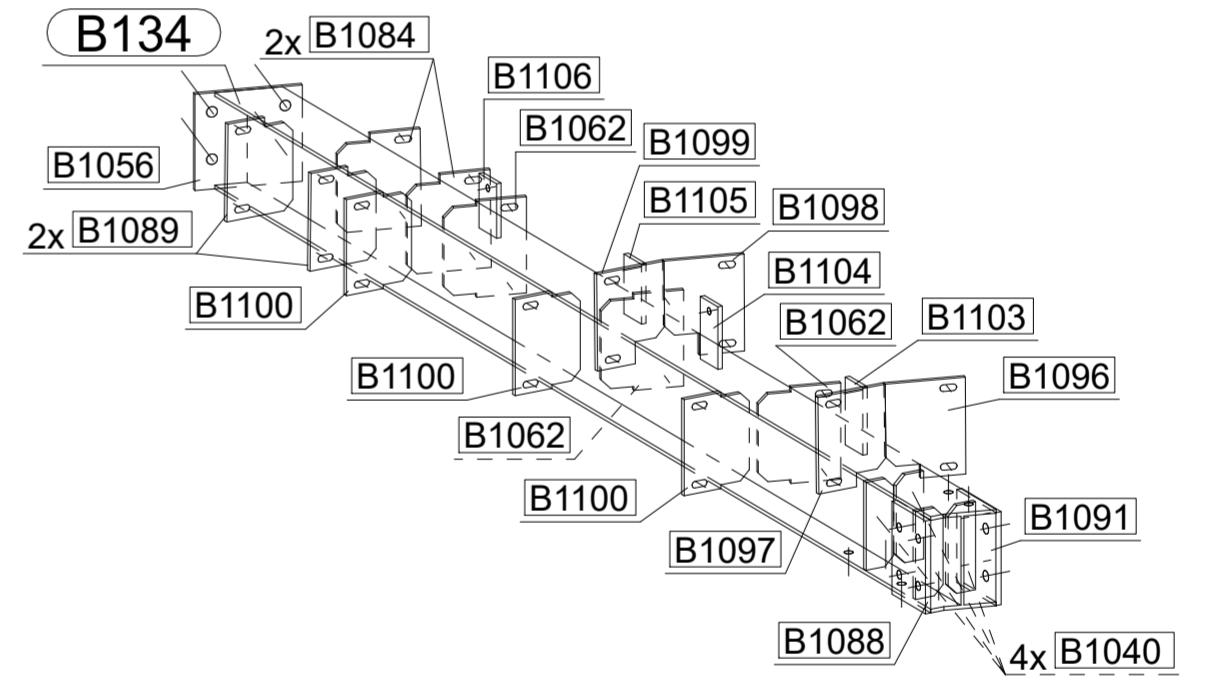
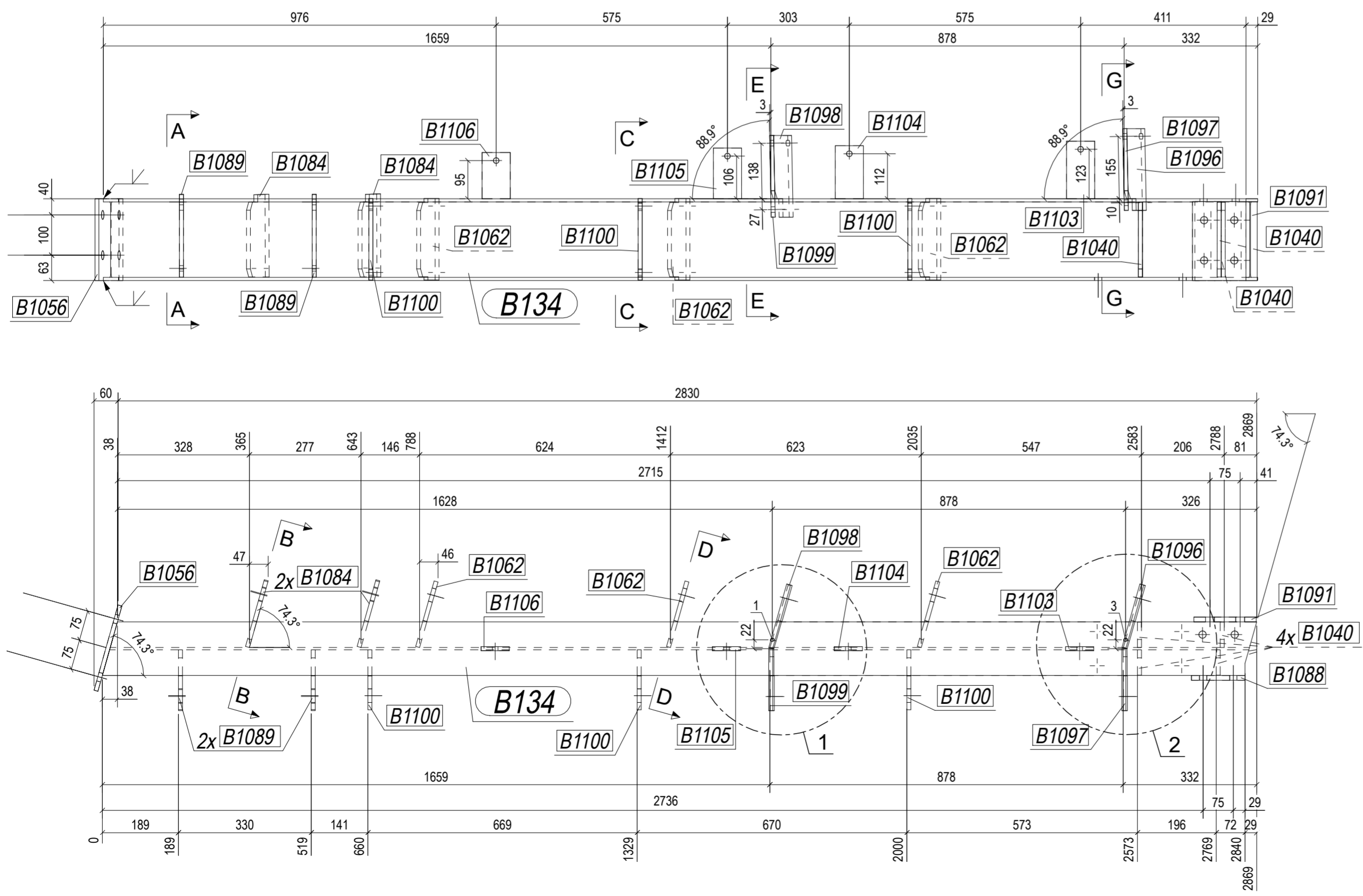
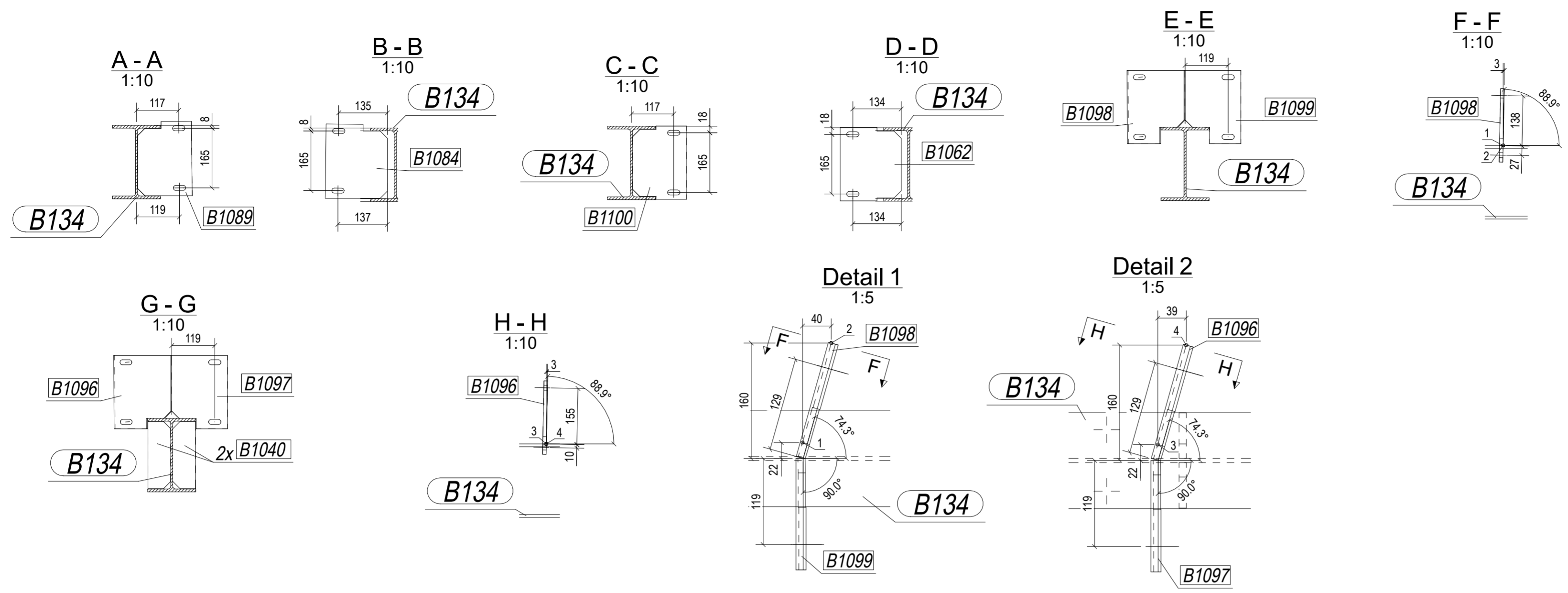


Rev.	Mark	Name	No.	Profile	Grade	Length	Weight
	B134	BEAM	1	UB203*133*25	S355J2	2869	72.5
	B1040	PLATE	4	PLT10*63	S355J2	186	0.9
	B1056	PLATE	1	PLT10*220	S355J2	203	3.5
	B1062	PLATE	3	PLT10*169	S355J2	203	2.6
	B1084	PLATE	1	PLT10*172	S355J2	206	2.6
	B1084	PLATE	1	PLT10*172	S355J2	207	2.6
	B1088	PLATE	1	PLT12*133	S355J2	196	2.5
	B1089	PLATE	2	PLT10*151	S355J2	206	2.3
	B1091	PLATE	1	PLT12*155	S355J2	196	2.9
	B1096	PLATE	1	PLT10*164	S355J2	203	2.4
	B1097	PLATE	1	PLT10*154	S355J2	203	2.3
	B1098	PLATE	1	PLT10*164	S355J2	203	2.3
	B1099	PLATE	1	PLT10*154	S355J2	203	2.2
	B1100	PLATE	3	PLT10*149	S355J2	203	2.3
	B1103	PLATE	1	PLT10*70	S355J2	143	0.8
	B1104	PLATE	1	PLT10*70	S355J2	132	0.7
	B1105	PLATE	1	PLT10*70	S355J2	126	0.7
	B1106	PLATE	1	PLT10*70	S355J2	115	0.6
Total weight (kg):							121.2
Size (W x L x H):							325 x 2889 x 377



FINISH: GALVANISED (refer to Downs Associates Structural Steel Specification - 002.05)
 ALL WELDS TO BE CONTINUOUS 6mm FILLET U.N.O
 EXECUTION CLASS EXC2 TO IS EN 1090