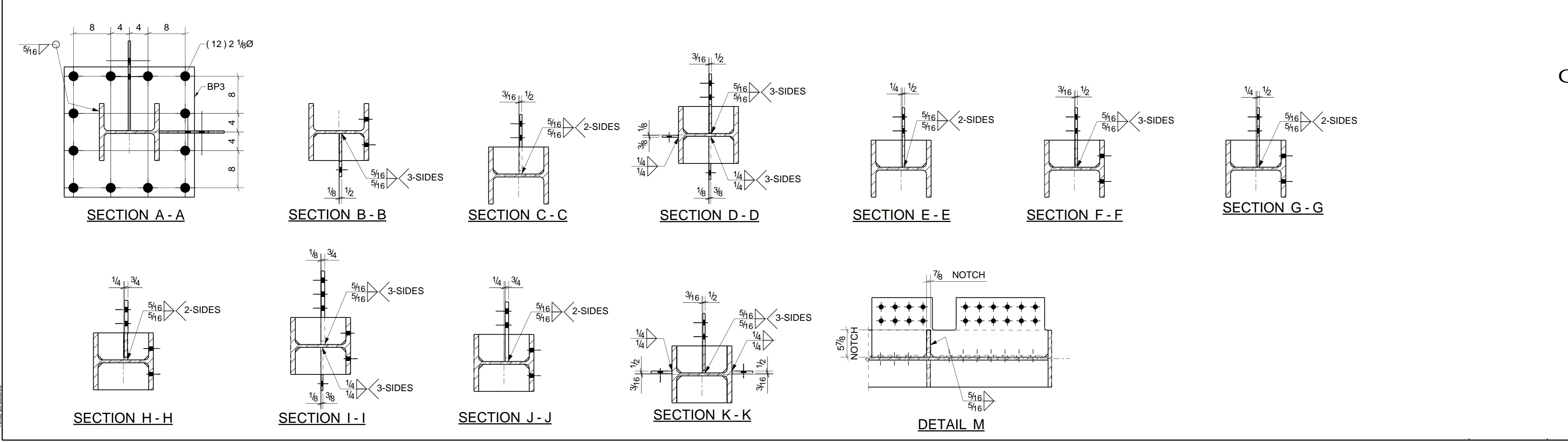
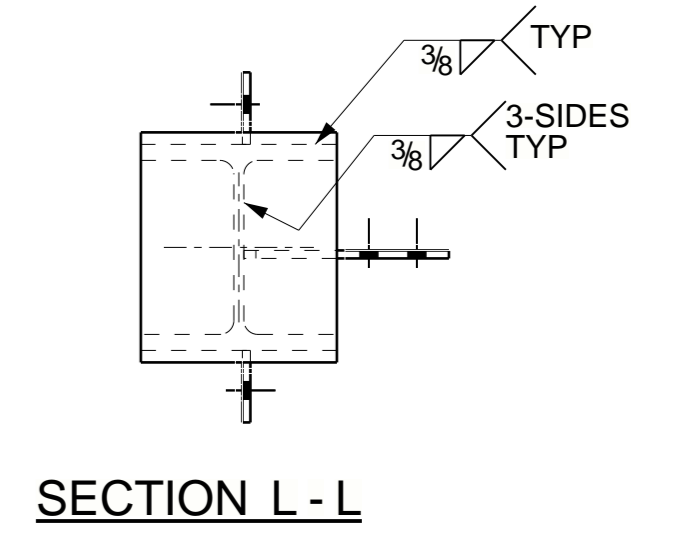
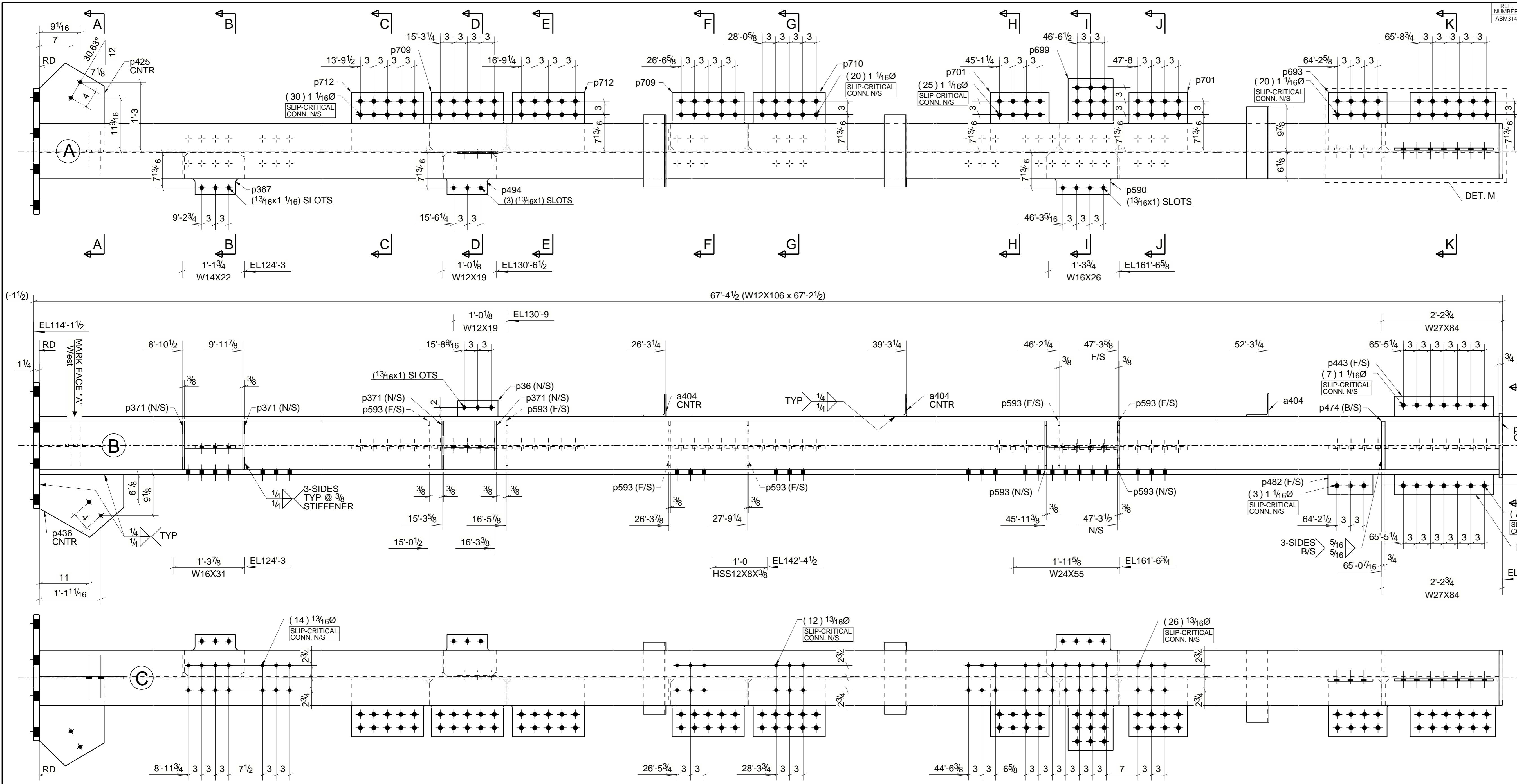


REF NUMBER
ABM314

BILL OF MATERIAL

QTY	SHIPPING BILL		SHOP BILL					REMARKS	WEIGHT
	NO	DIRECTION MARK	NO	SHAPE	MATERIAL GRADE	LENGTH	ASSY. MARK		
20	1	20C101		COLUMN	A992	67'-2 1/2"	20C101	ND PAINT	7136
			1	W12X106	A992	67'-2 1/2"	20C101	ND PAINT	278
			3	PL114X28"	A36	2-4	BP3		42
			1	LSXS5X16	A36	1-4	a404		3
			1	PL3/8X3 1/2"	A36	0-9	p36		15
			1	PL1/2X9 5/16"	A36	1-1	p367		27
			4	PL3/8X5 13/16"	A36	0-10 7/8	p371		34
			1	PL1/2X14 3/8"	A36	1-7 5/16	p425		37
			1	PL3/4X12 1/4"	A572-50	1-2 3/8	p427		28
			1	PL1/2X13 15/16"	A36	1-6 3/4	p436		28
			2	PL1/2X4 1/2"	A36	1-10	p443		6
			2	PL3/4X5 13/16"	A572-50	0-10 3/4	p474		10
			1	PL1/2X4 1/2"	A36	0-10	p482		14
			1	PL3/8X9 5/16"	A36	0-11 3/8	p494		10
			1	PL3/8X9 5/16"	A36	1-3 3/4	p590		14
			8	PL3/8X5 13/16"	A36	0-10 7/8	p593		53
			1	PL1/2X12 13/16"	A36	3-1 7/8	p693		62
			1	PL3/4X13"	A36	1-3 13/16	p699		37
			2	PL3/4X12 13/16"	A36	1-3	p701		76
			2	PL1/2X12 13/16"	A36	1-5	p709		60
			1	PL1/2X12 13/16"	A36	1-5	p710		30
			2	PL1/2X12 13/16"	A36	1-5	p712		60
TOTAL WEIGHT THIS DRAWING									8933



PREPARE SURFACES FOR SLIP-CRITICAL CONN. WHERE INDICATED.

ONE - COLUMN - 20C101

T. J. B. Structures