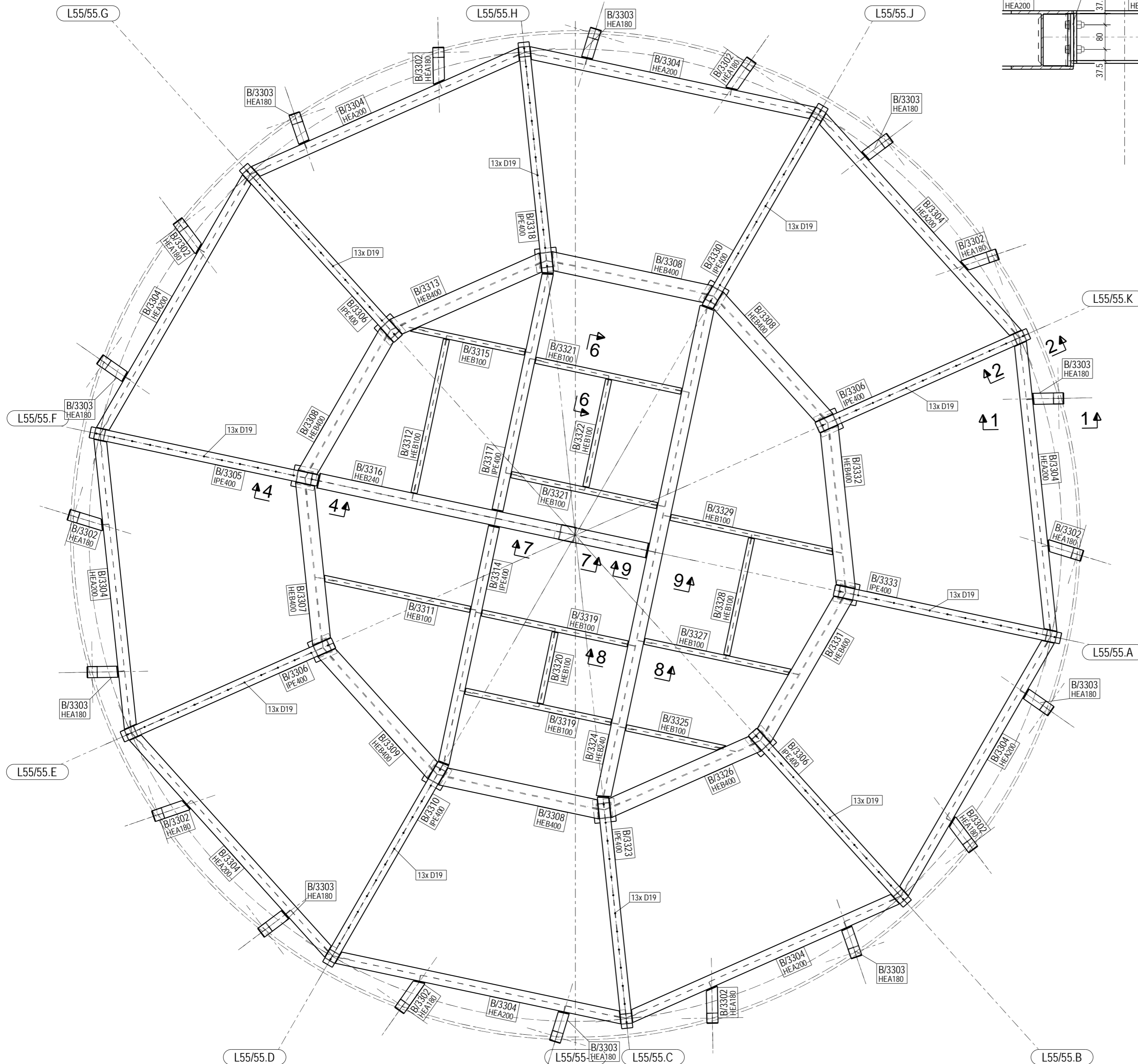
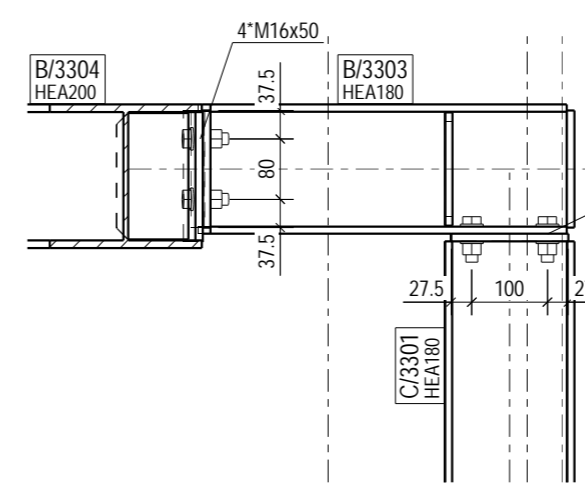


Tårntop L55 - Beam plan +111.450

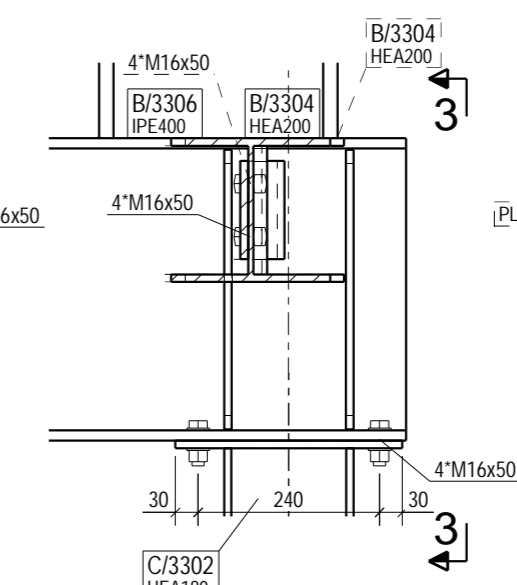
1:50



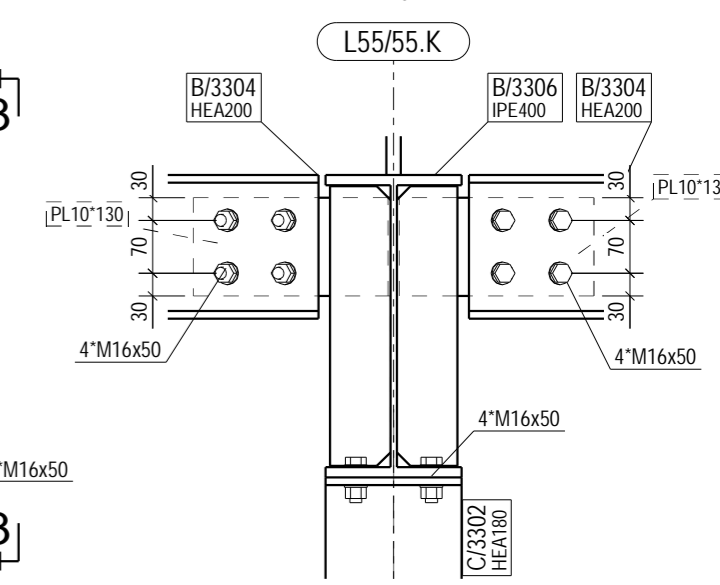
1-1
1:10



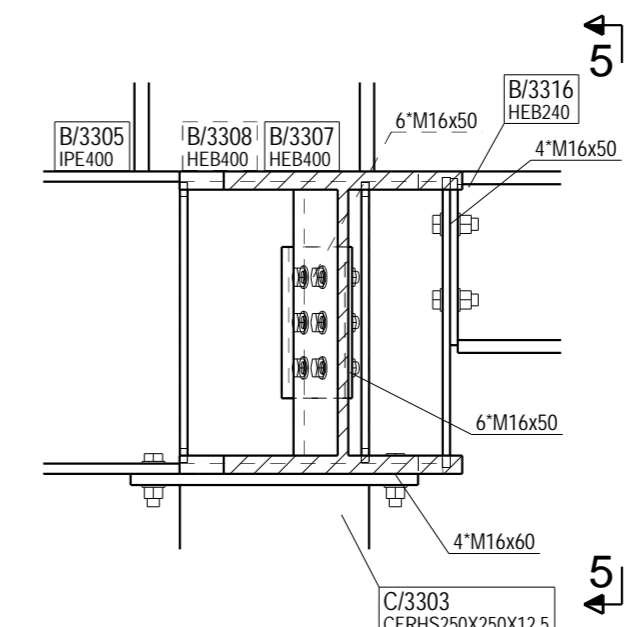
2-2
1:10



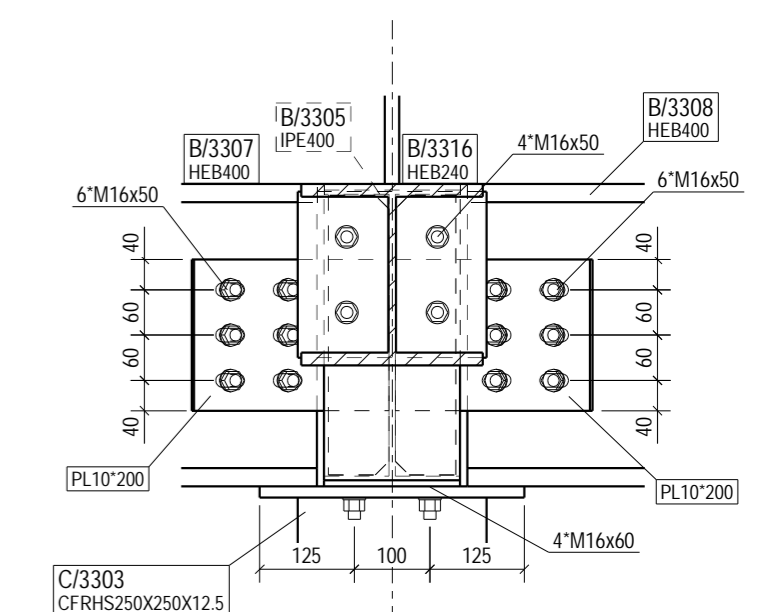
3-3
1:10



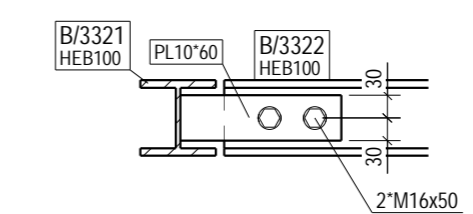
4-4
1:10



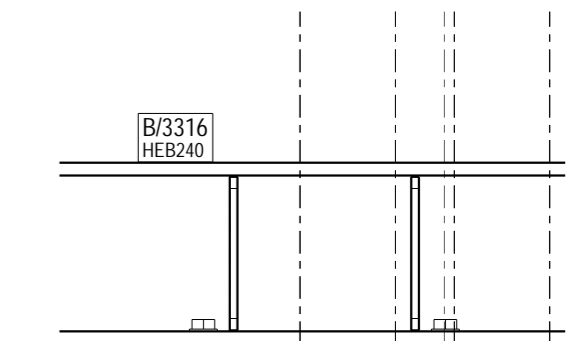
5-5
1:10



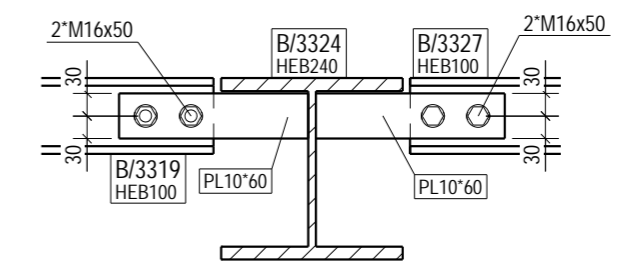
6-6
1:10



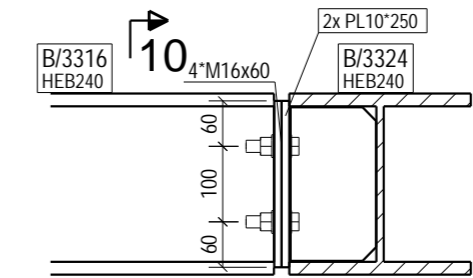
7-7
1:10



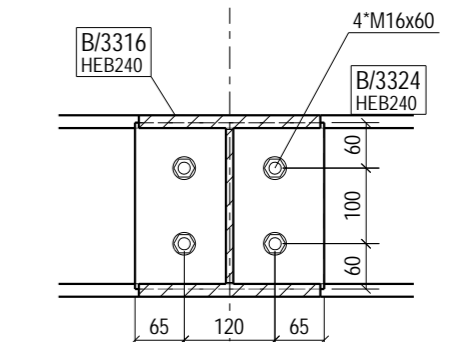
8-8
1:10



9-9
1:10



10-10
1:10



No	REV MARK	REVISION DESCRIPTION	CREATED	APPROVED	REV. DATE



PROJECT	NAME
Sent for approval	Tårntop L55- Beam Plan +111.450
Sent to production	

DESIGNER:	
EXC	SCALE
	1:10 1:50
ORDER NO.:	
DRAWING No.:	03