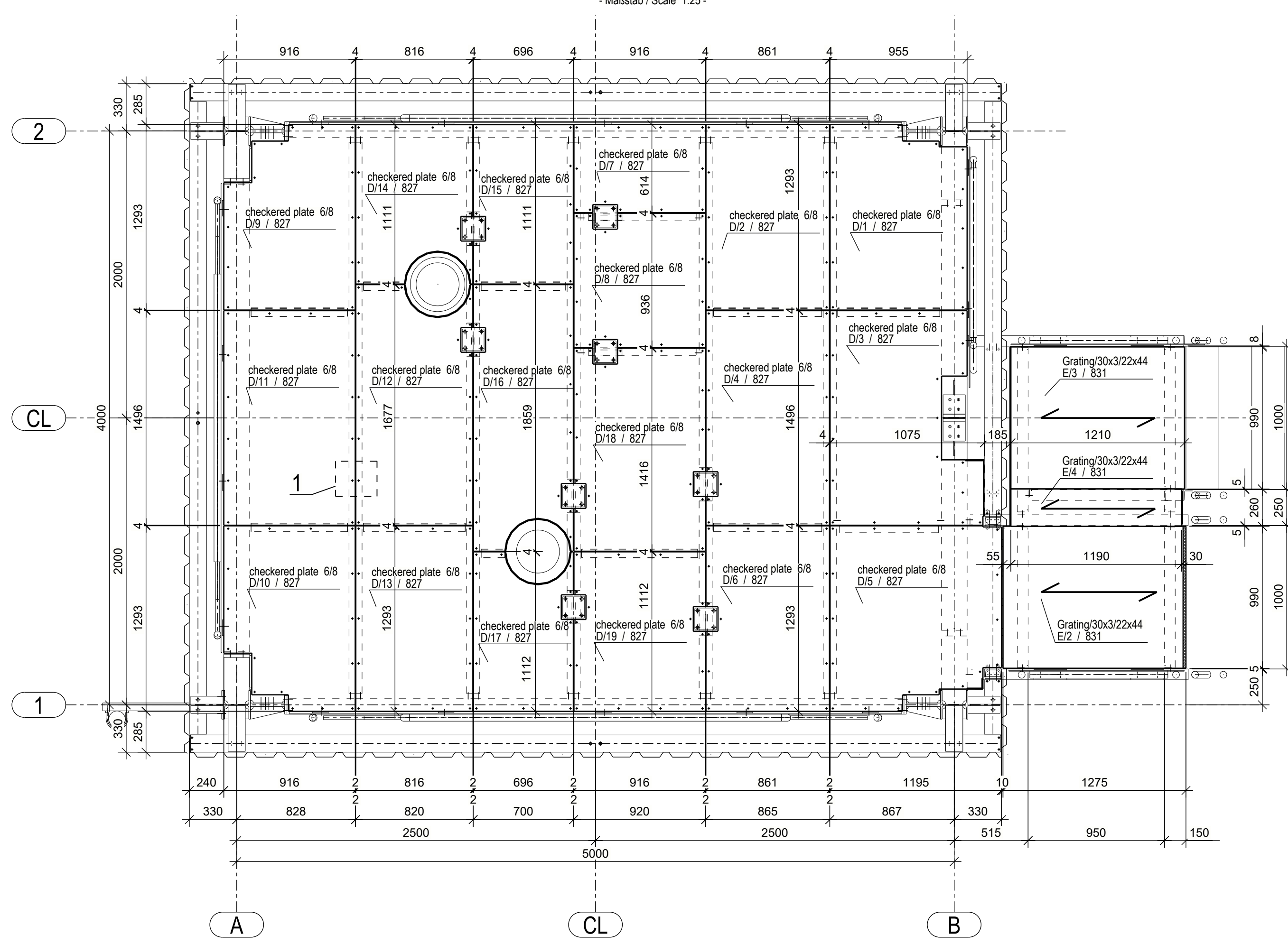
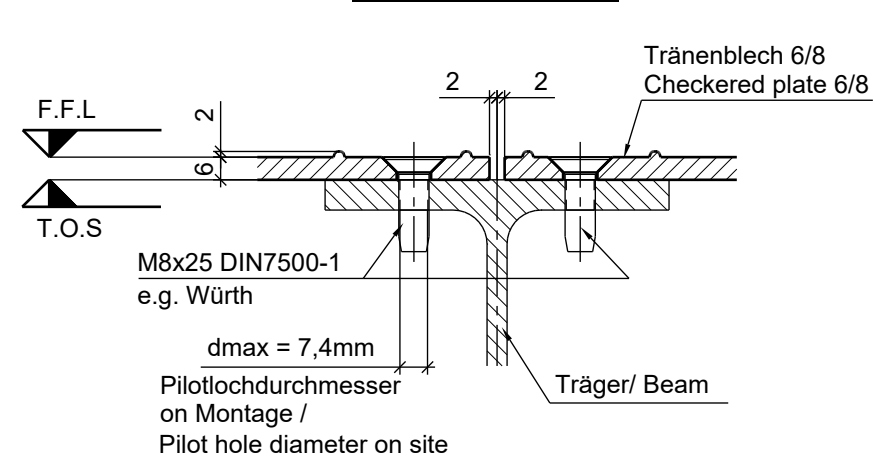


BÜHNE / PLATFORM +1.206m (F.F.L.)



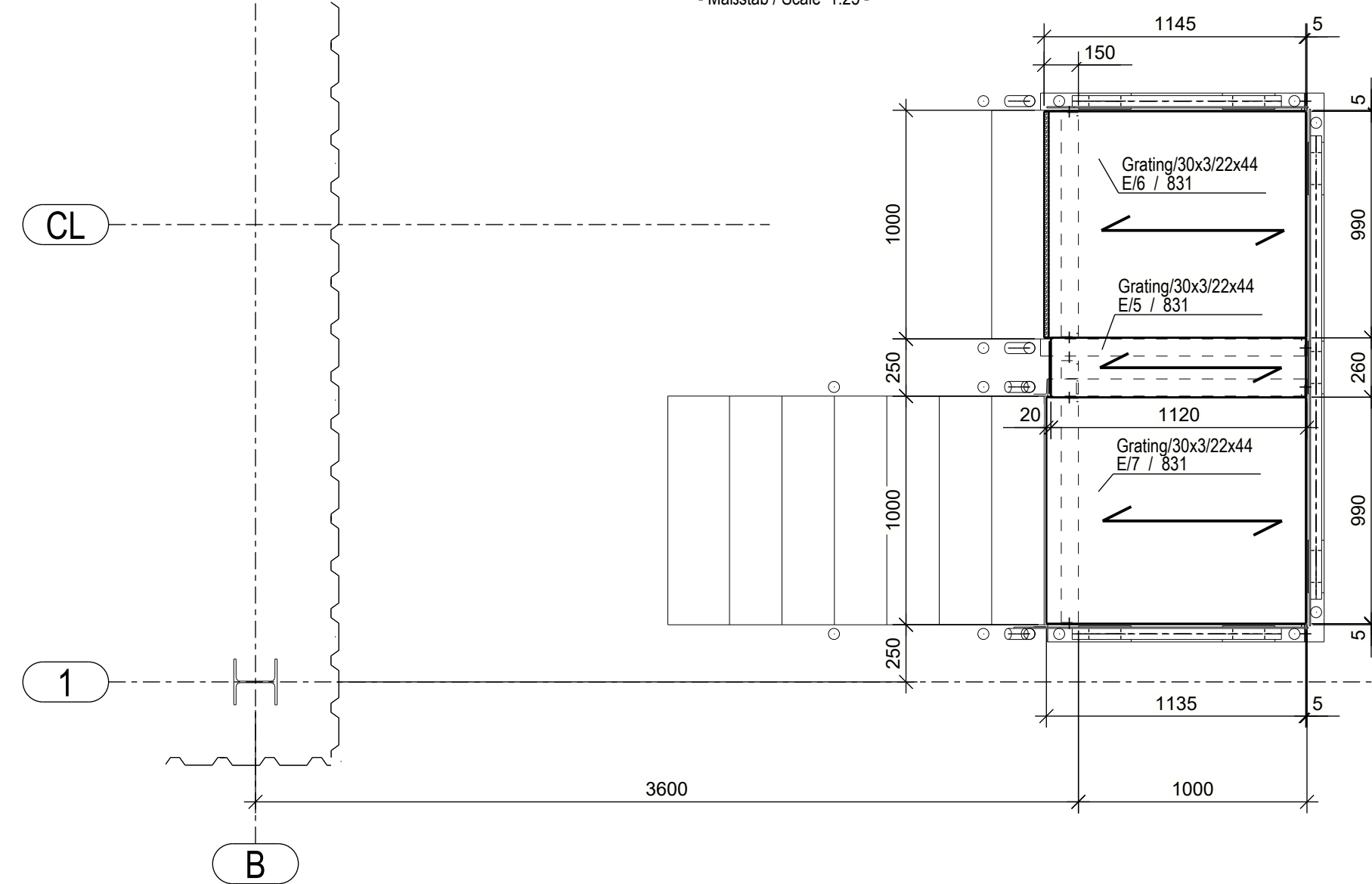
Detail '1'



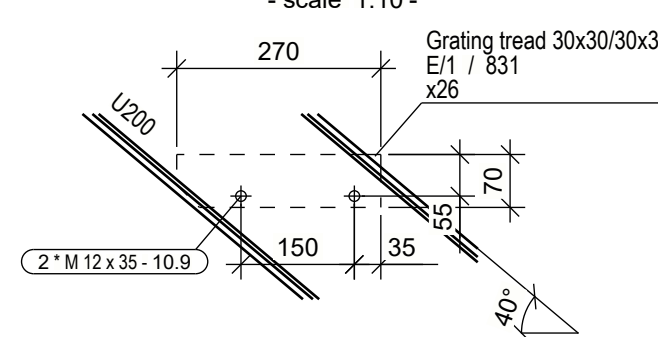
Fixing for checked plate:
self-tapping screws M8x25 (DIN7500-1)= 544 pcs

Fixing for grating:
Fastening with at least 4 galvanized clips per grating.
e.g TYP B334K- 7x4 = 28 pcs

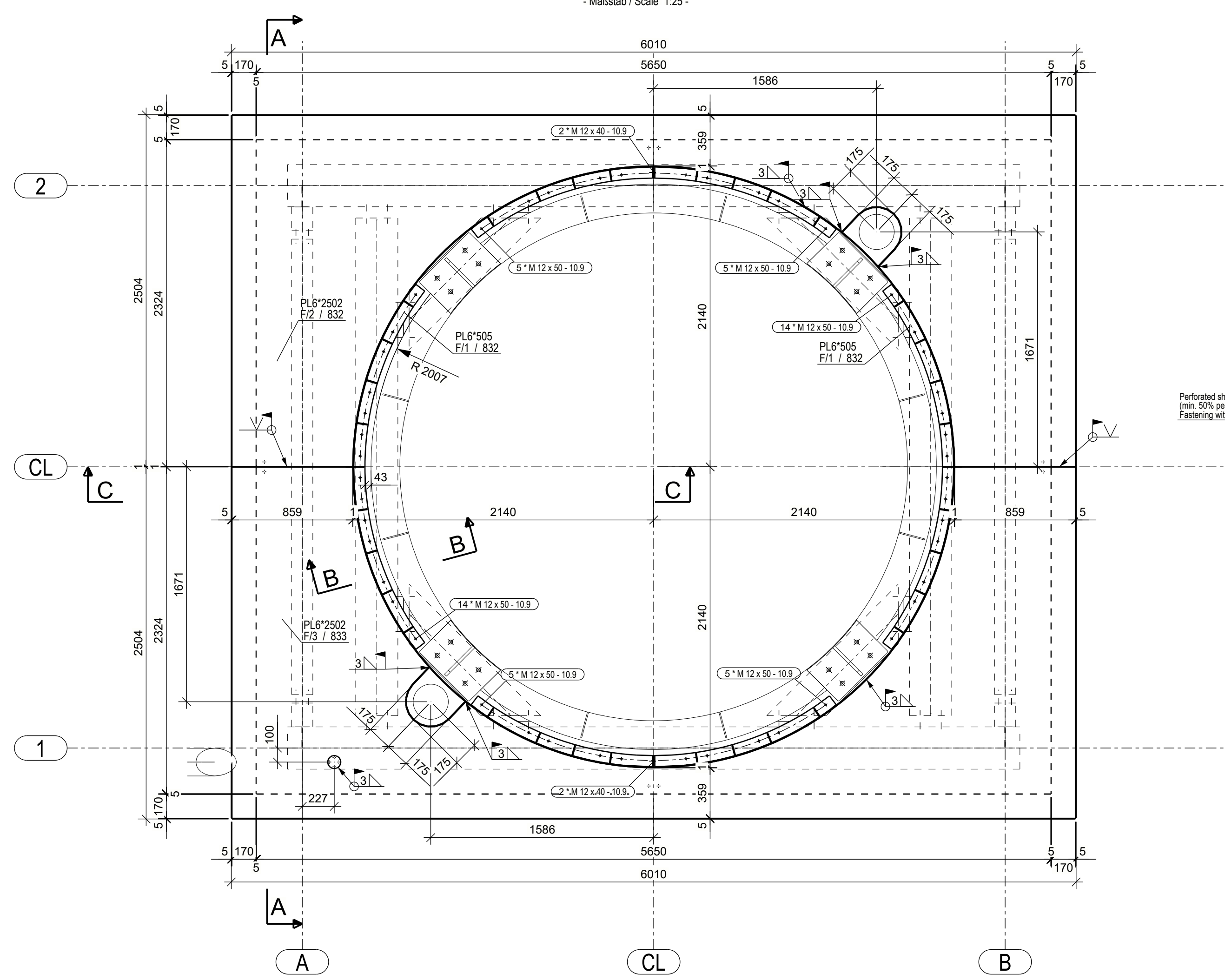
EBENE / LEVEL +2.746m (F.F.L.)



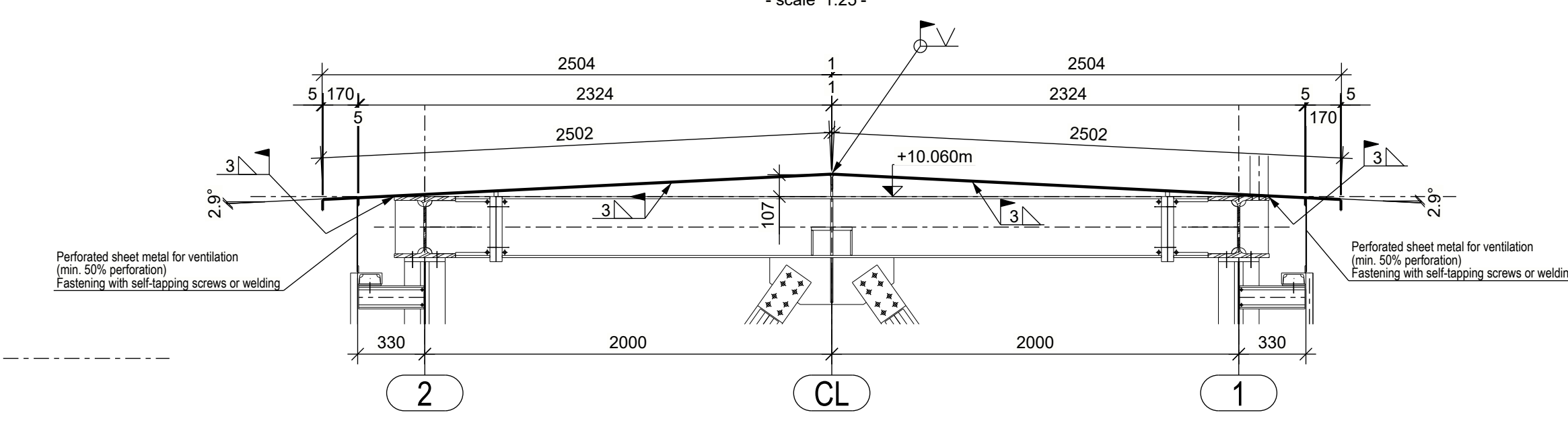
Giro-Stufe/ Grating tread



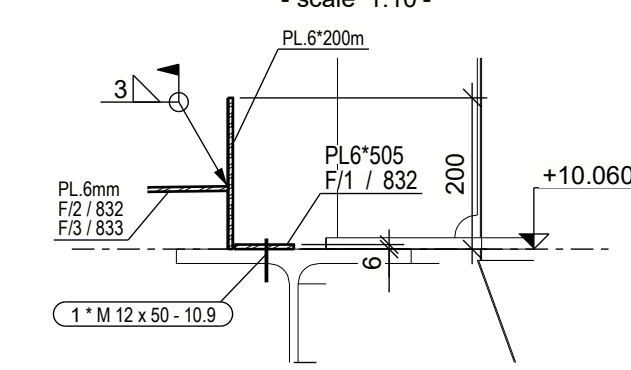
DACH- ABDECKUNG / ROOF- COVERING



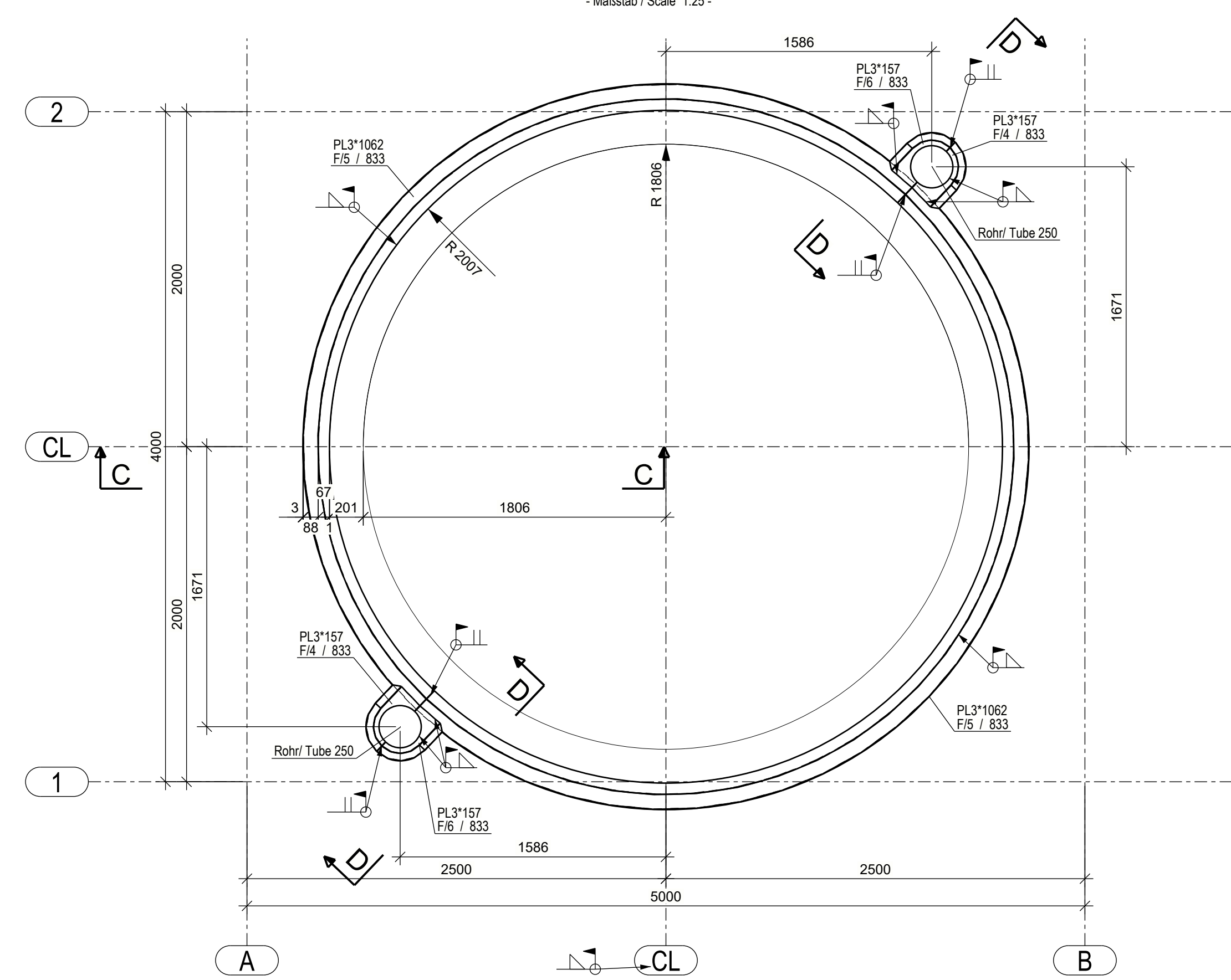
SECTION A - A



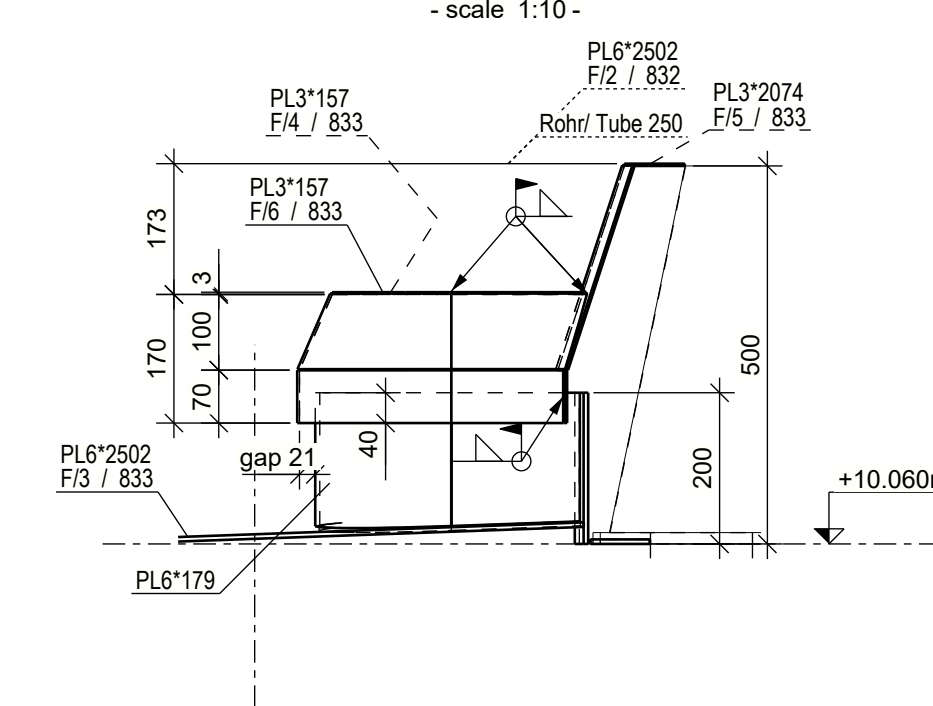
SECTION B - B



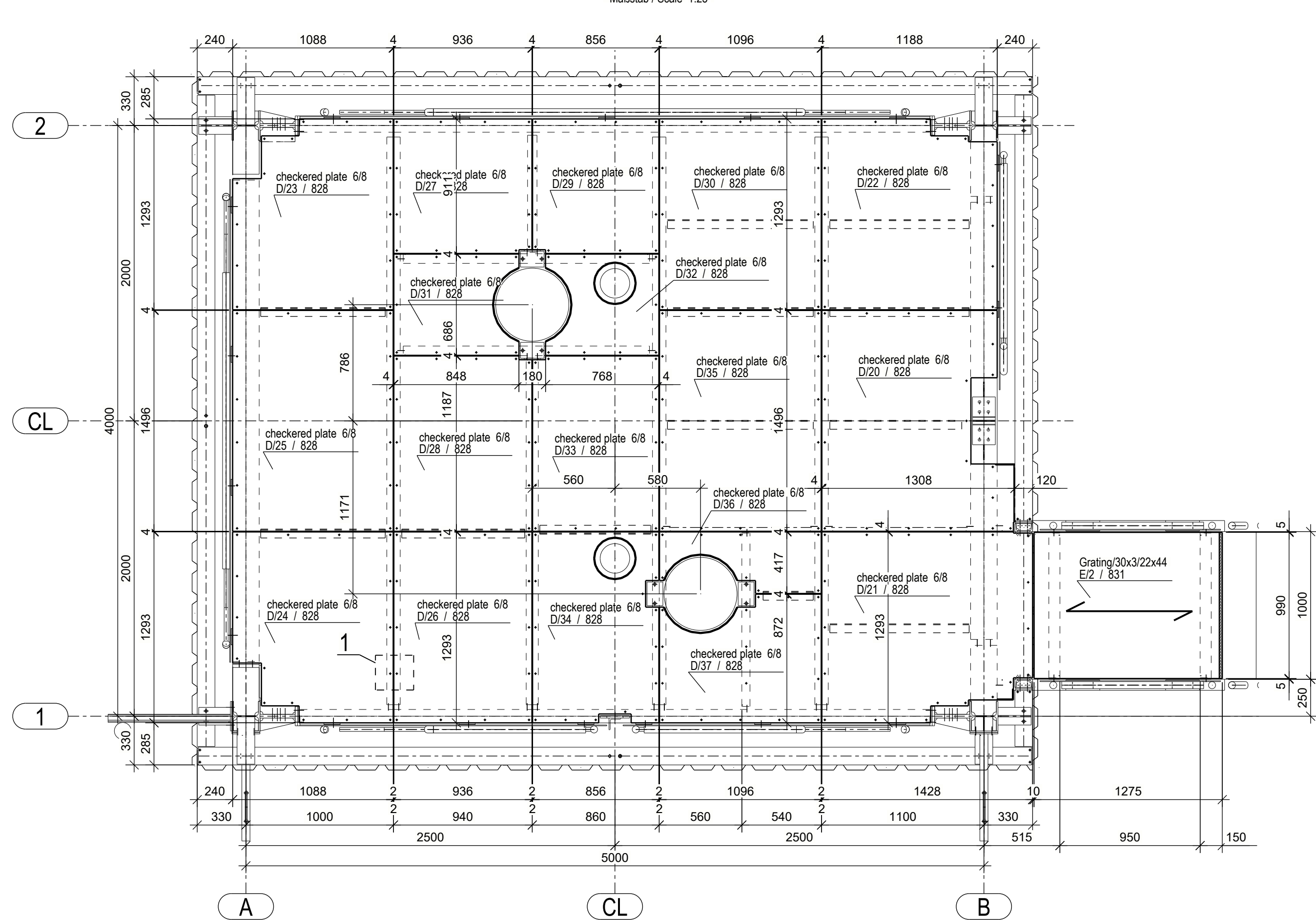
SILO - ABDICHTUNG / SEALING



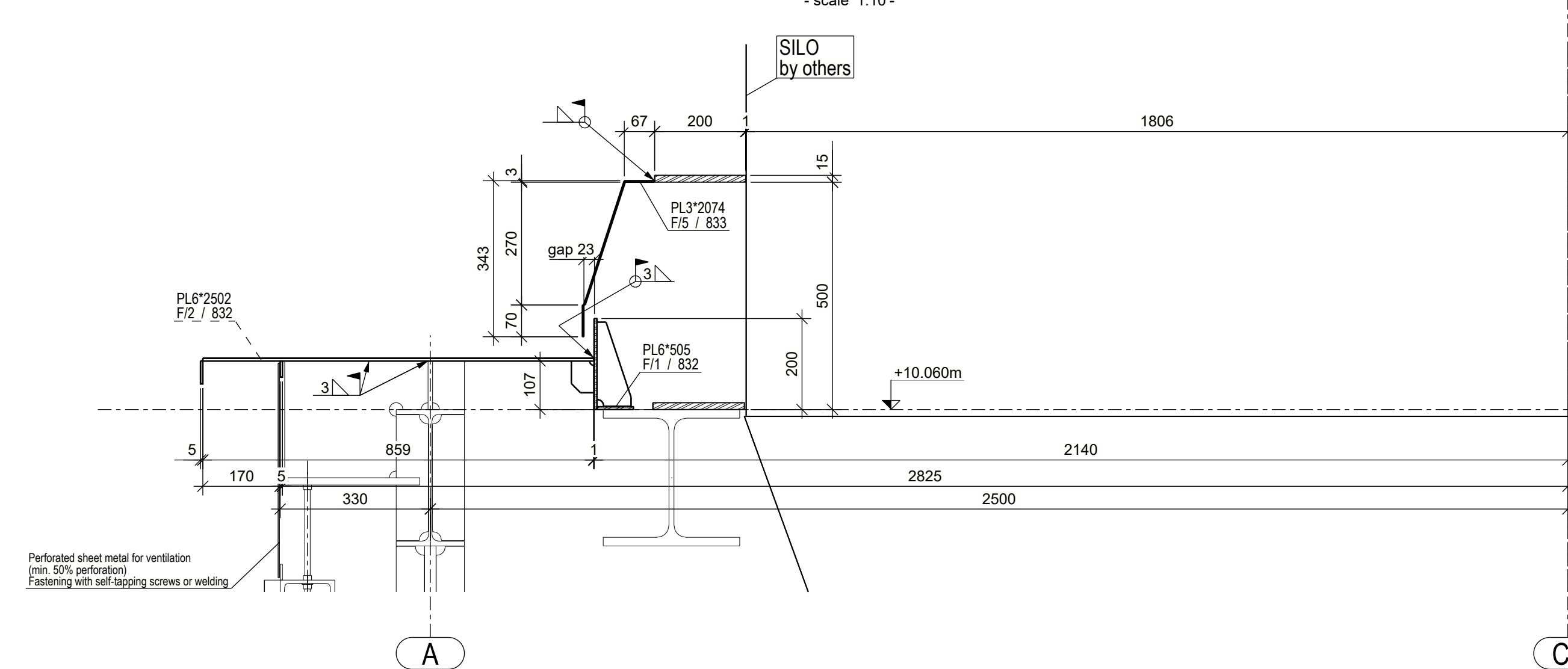
SECTION D - D



BÜHNE / PLATFORM +4.286m (F.F.L.)



SECTION C - C



±0,000m = 109,600 müNN

Allgemeine Richtlinien und Standards
siehe Plan-Nr. 800

General guidelines and standards
see Drwg.-No.800
General guidelines and standards
see Drwg.-No.800

drawing no	rev.
805	00

client Heidelberg Cement
project Bypass Dust Handling - LEI

design and detailed planning of structure

IBAU HAMBURG
Peter und Lochner
Beratende Ingenieure
für Bauwesen GmbH
Hauptmannstraße 7b
70188 Stuttgart
Tel.0711/92377-0, Fax -28
E-Mail: SGPul@ingeniere.de

Übersicht / General drawing

project no
22A022
drawing no
805
rev.
00
scale
1:10 1:25

Without authors permission this drawing may not be published, copied or modified, or used for other projects.	drawn 14.08.2022 A.Rumh
	checked 15.08.2022 T.Denis