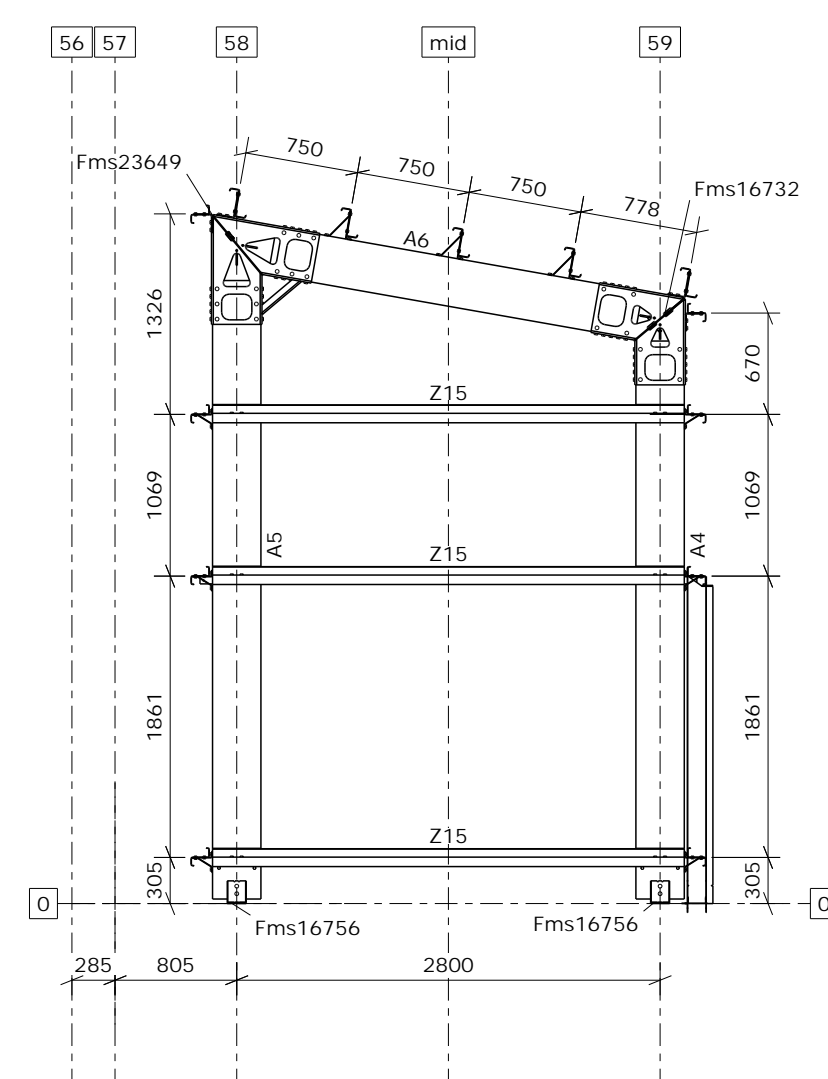
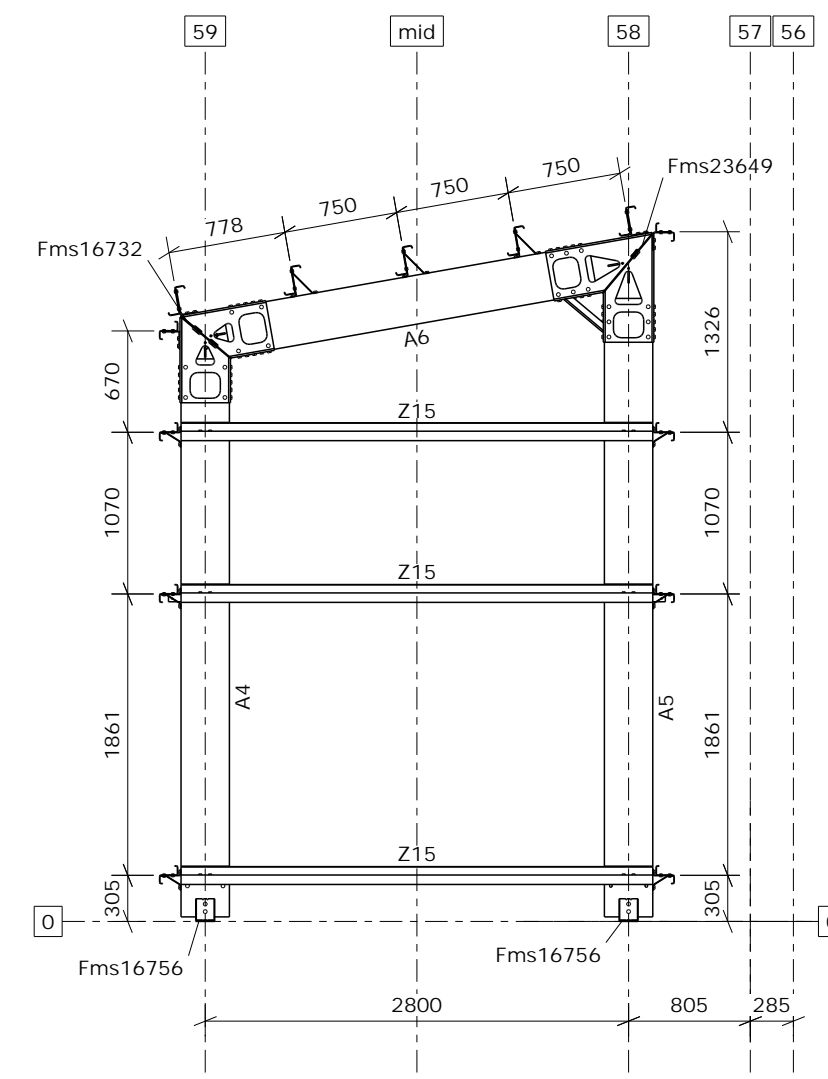


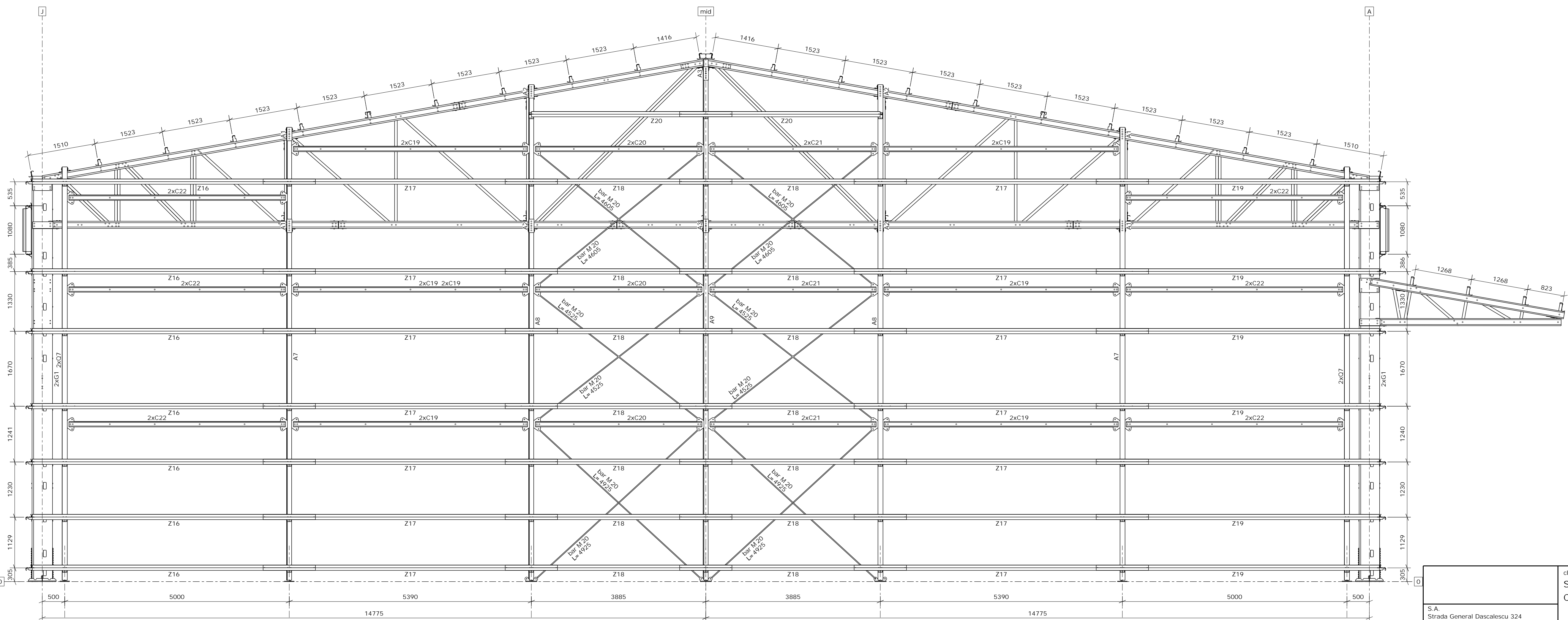
Perete fronton ax 57: structura  
1:50



Perete fronton ax a: ax b: structura  
1:50



Perete fronton ax c: structura  
1:50



Perete fronton ax 1: structura  
1:50

gable purlins		
6 x Z15(7)	Z120x2.0	L = 3120.0
14 x Z16	Z120x2.0	L = 6305.0
28 x Z17	Z120x2.0	L = 6555.0
28 x Z18	Z120x2.0	L = 5050.0
14 x Z19	Z120x2.0	L = 6305.0
4 x Z20	Z120x2.0	L = 4465.0

wind bracing		
8 x C4	C120x1.5	L = 3812.0
12 x C5	C120x1.5	L = 3584.5
20 x C8	C120x1.5	L = 3734.0
10 x C9	C120x2.0	L = 3995.0
4 x C15	C120x1.5	L = 1722.0
4 x C16	C120x1.5	L = 4767.0
10 x C17	C120x2.0	L = 3860.0
24 x C19	C120x2.0	L = 5212.0
12 x C20	C120x2.0	L = 3707.0
12 x C21	C120x2.0	L = 3699.5
24 x C22	C120x2.0	L = 4821.0

S.A. Strada General Dascalescu 324 RO-610200 PIATRA NEAMA tel: +40 233 23 19 09 fax: +40 233 22 14 16 e-mail: office@frisomat.ro	client: <b>STEINWEG</b> Constanta	FRISOHALL_FC_TR_10" width: 30.00 m height: 9.00 m length: 196.72 m	
	scale: 1:50	date: 15.12.2023	type: 300/90 project: ax2201152 order: RO 023-23
	EJB		Pereti de fronton
	Pereti de fronton		