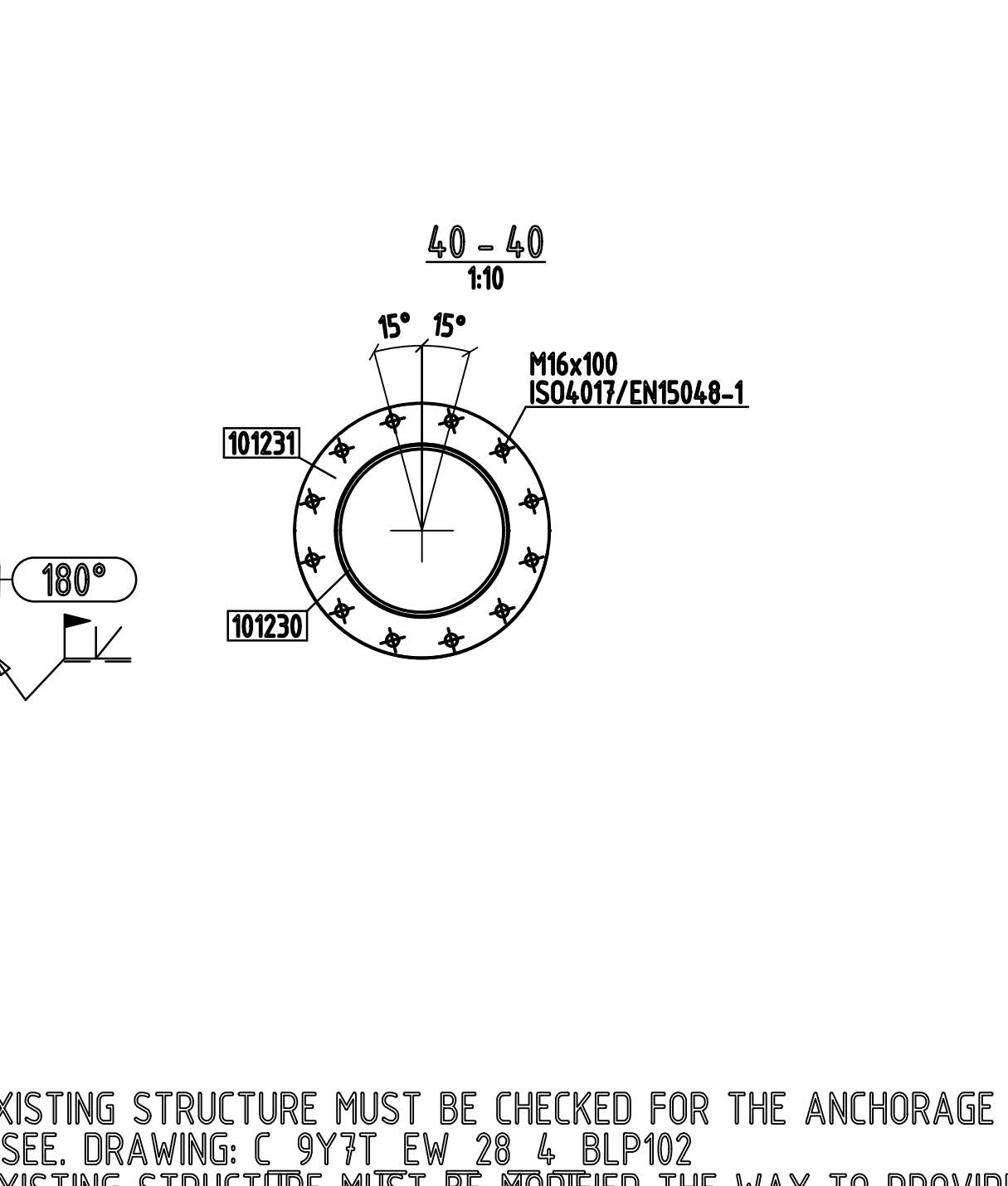
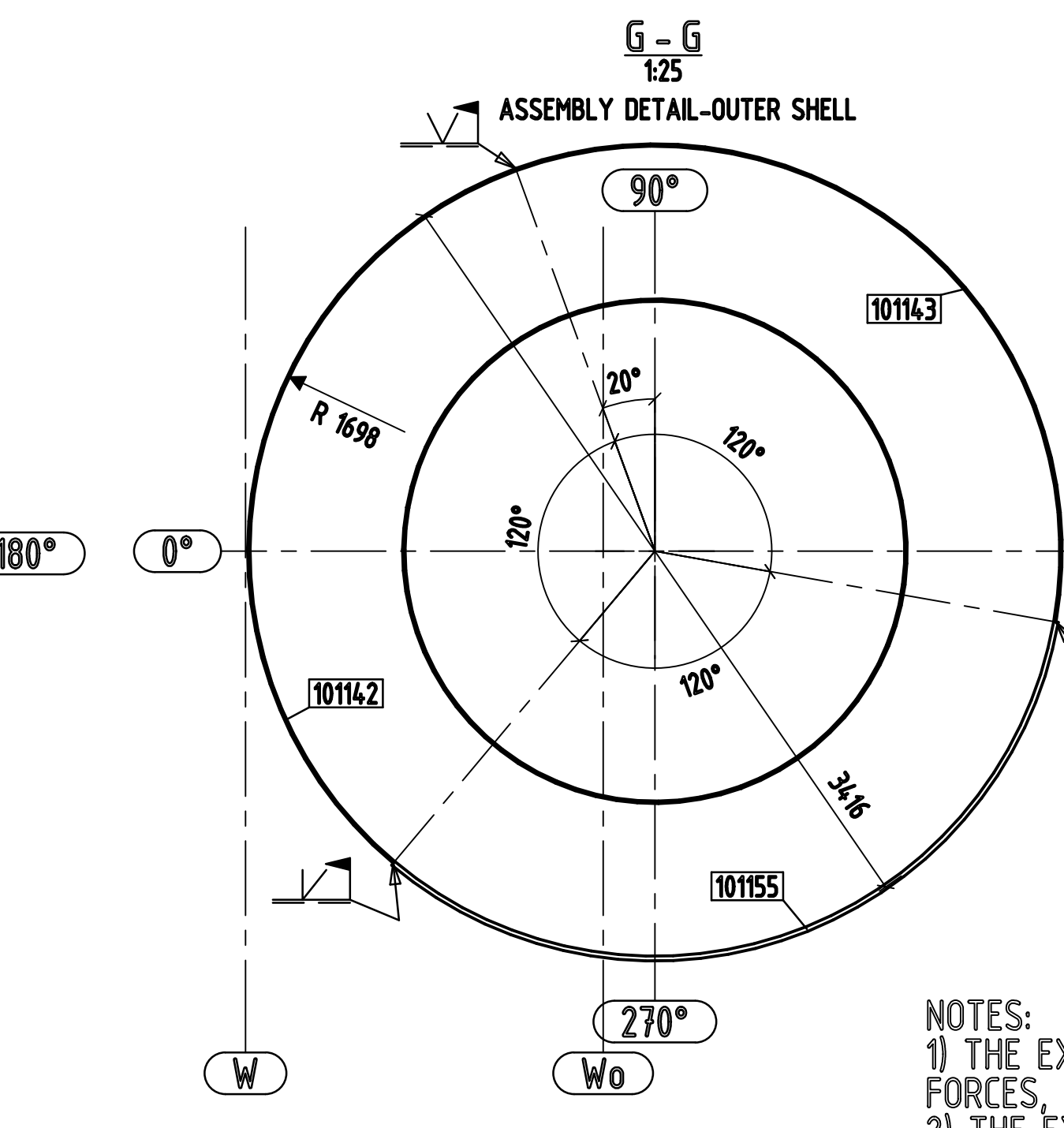
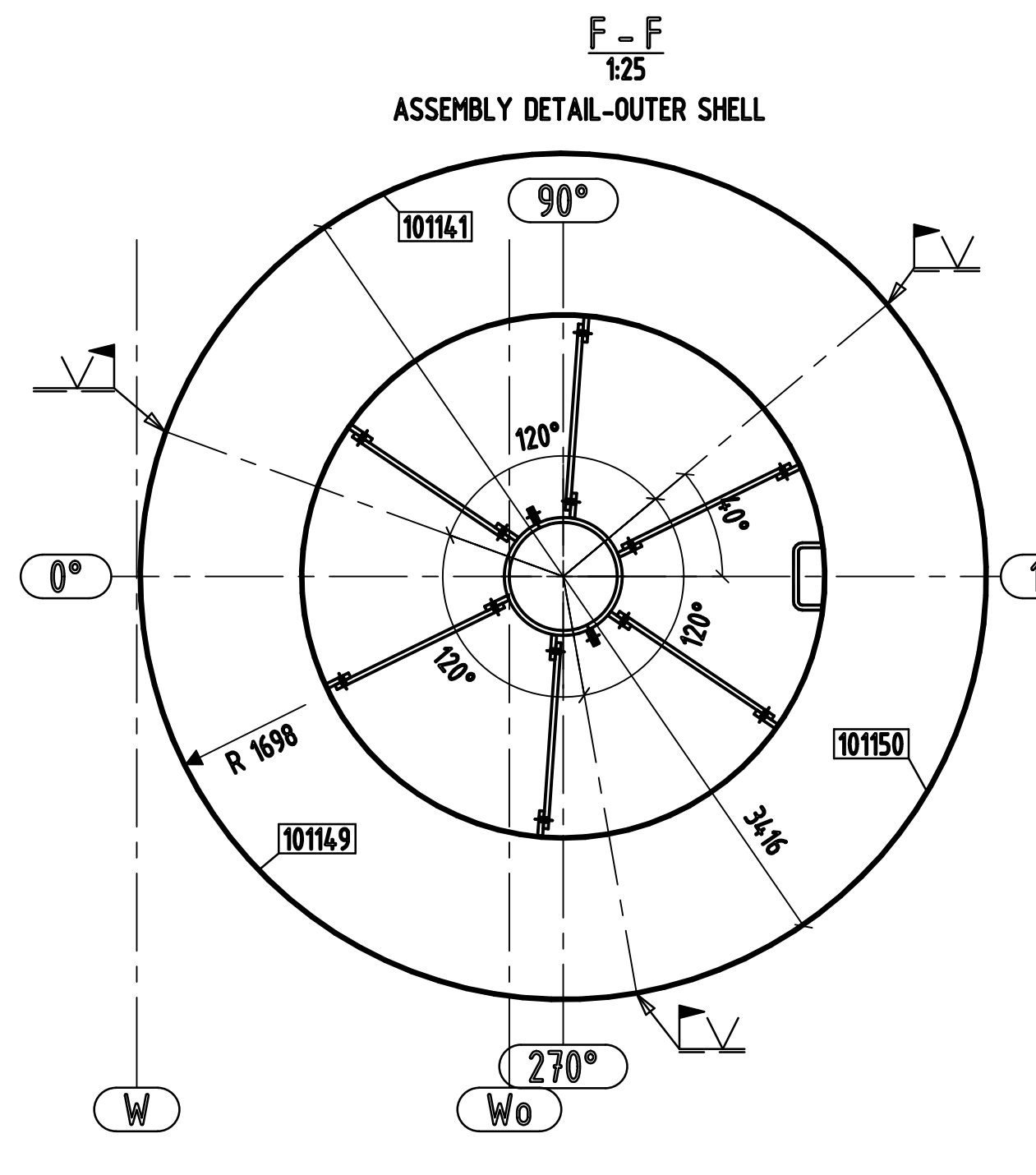
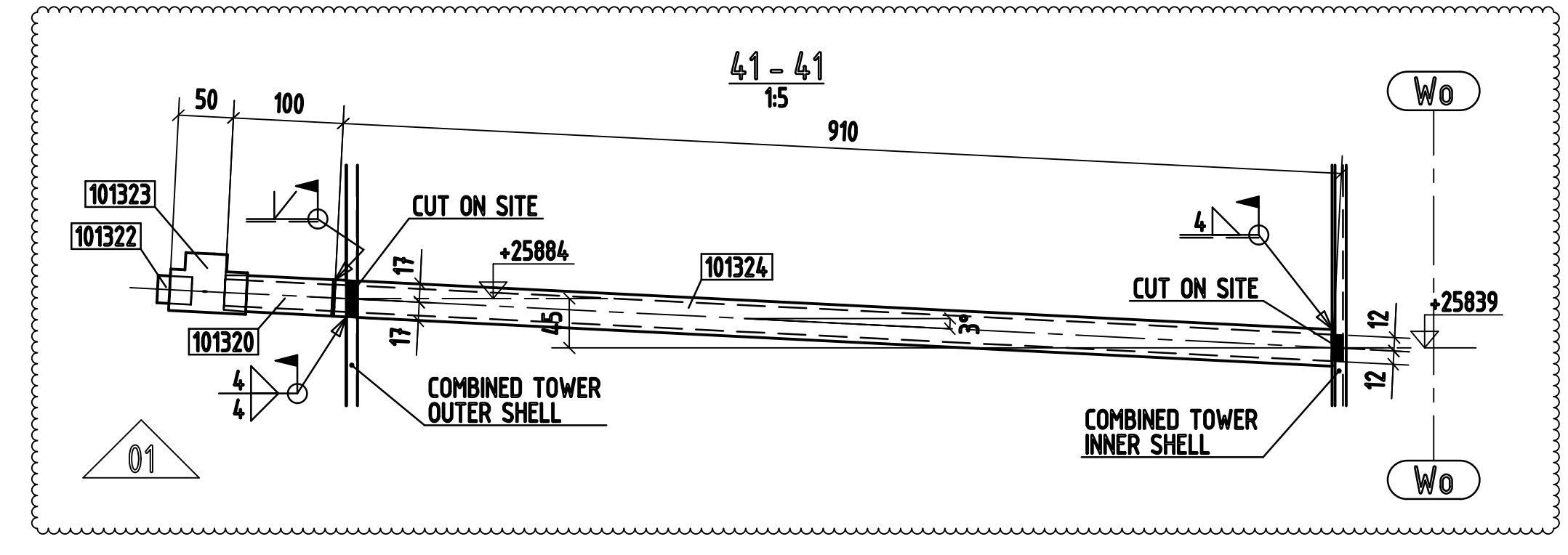
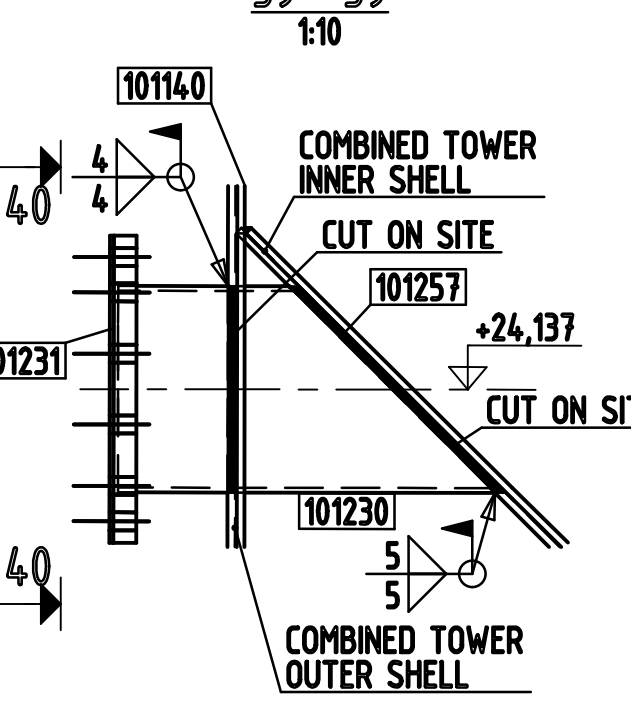
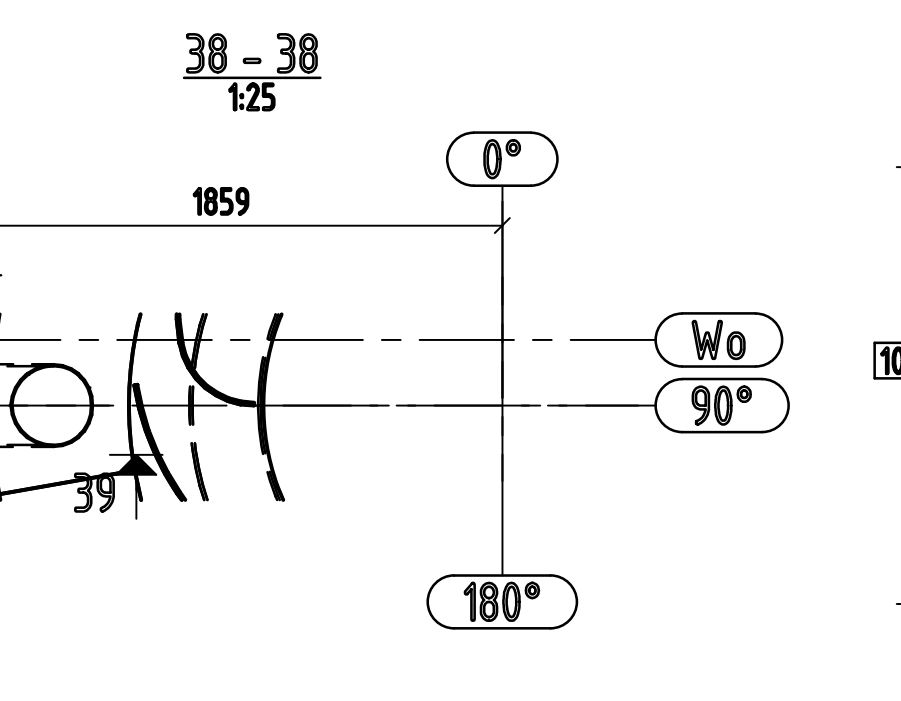
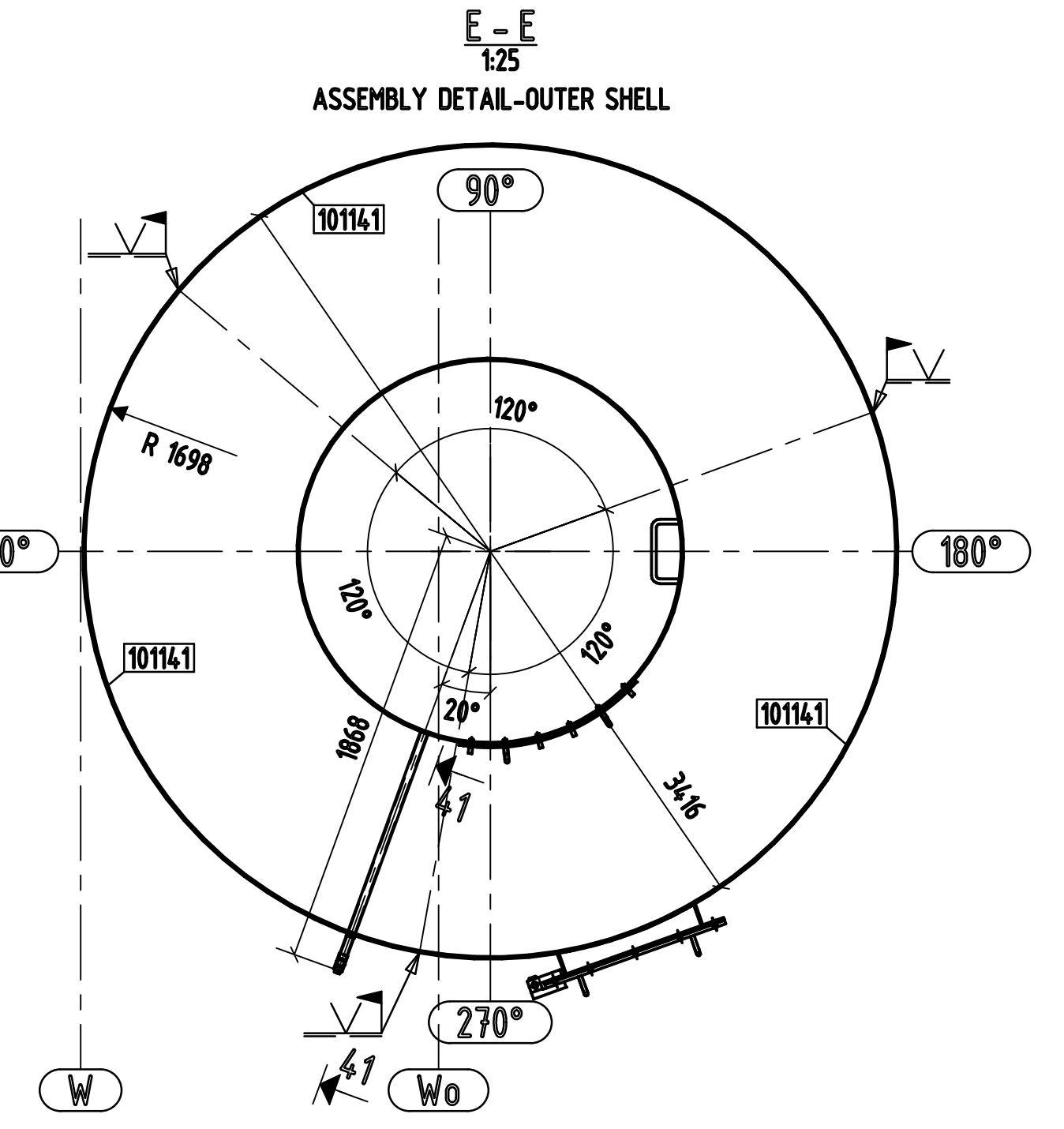
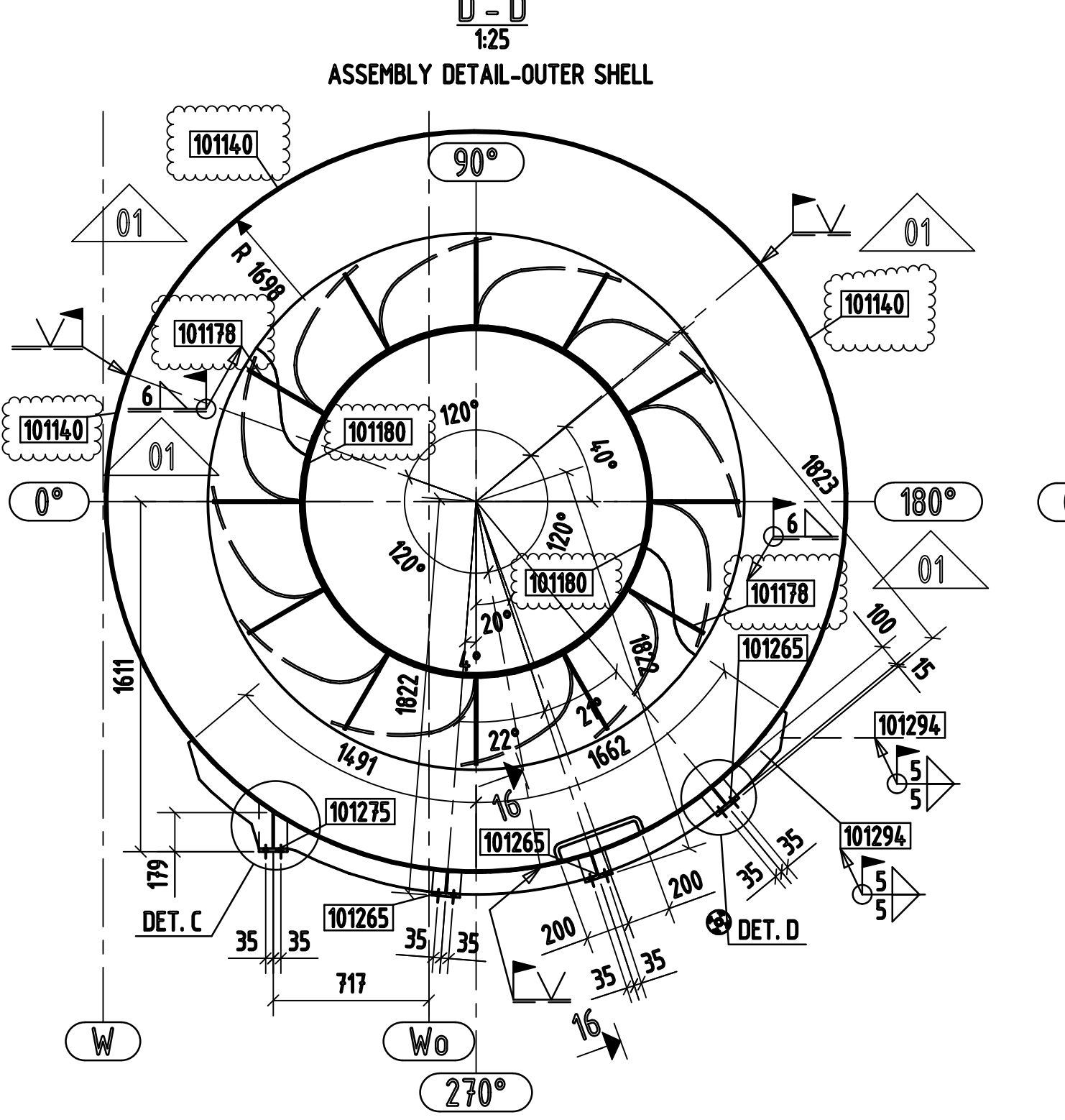
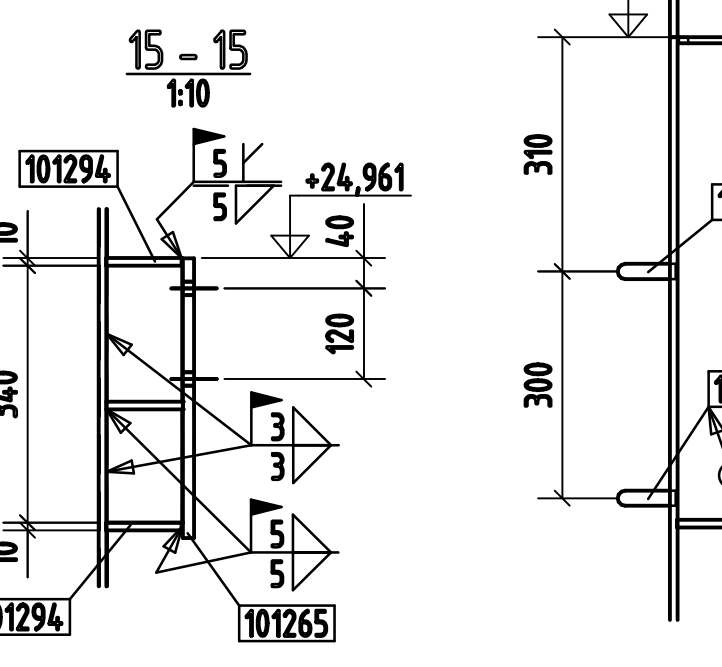
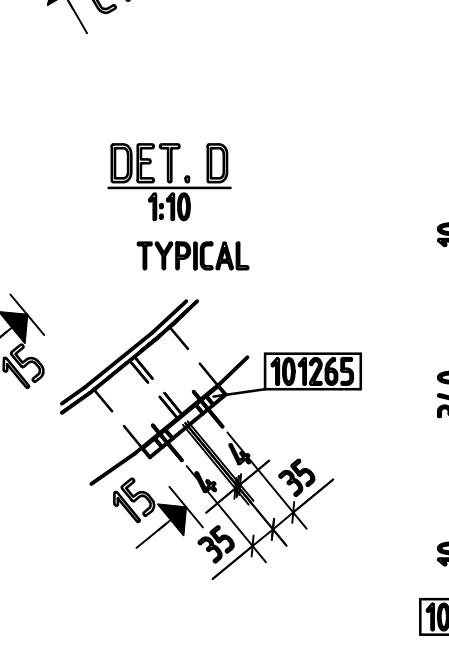
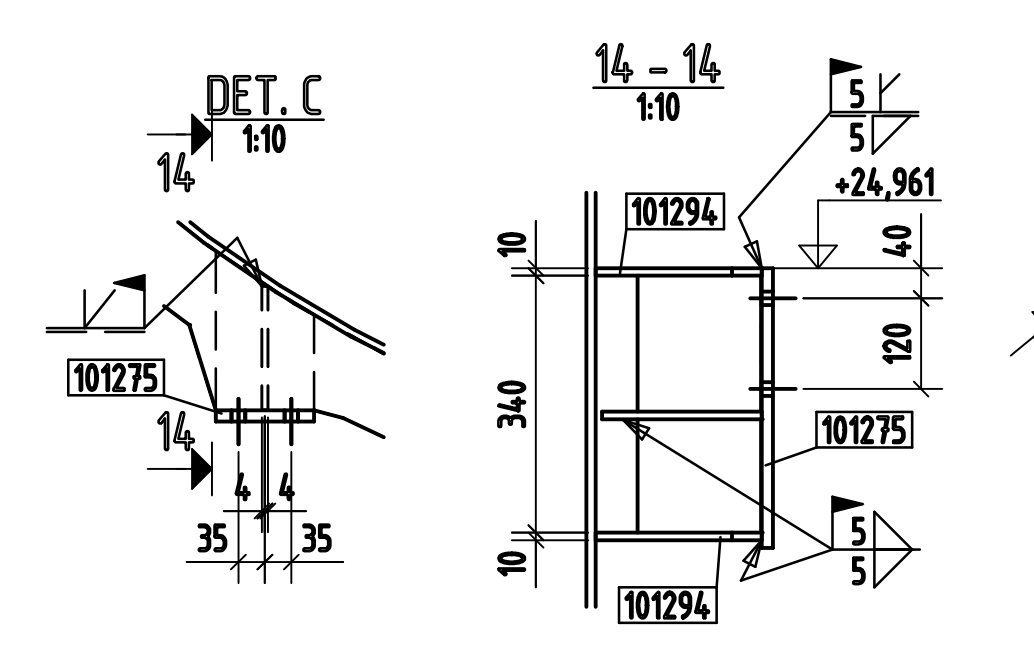
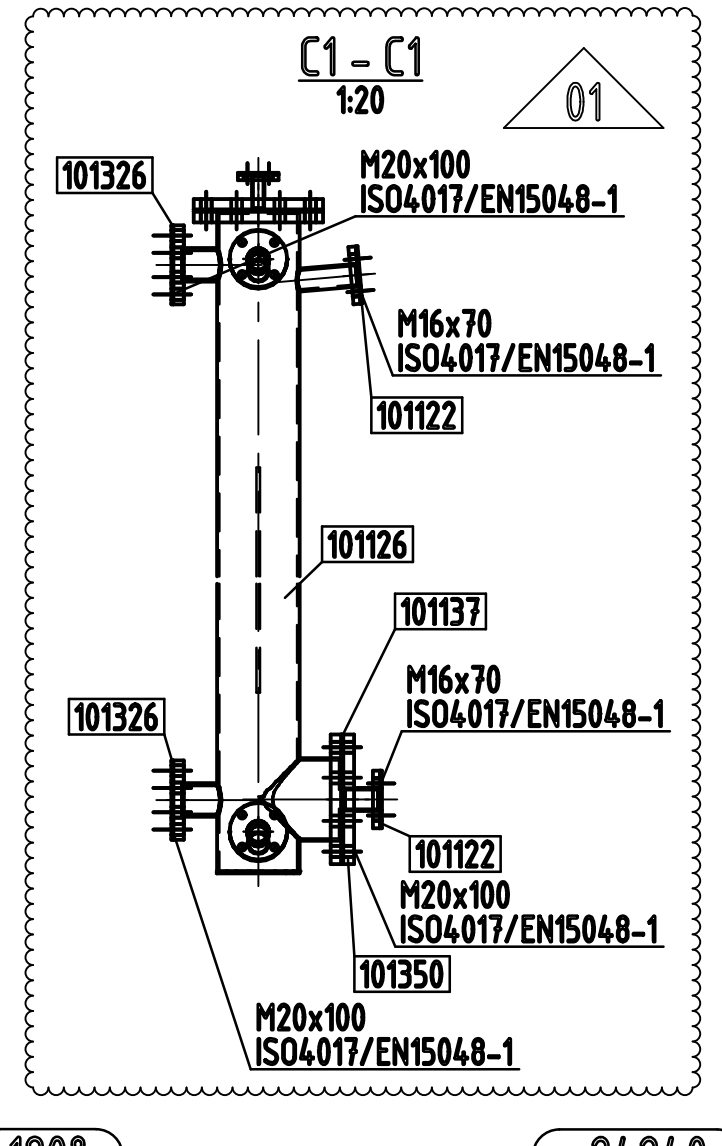
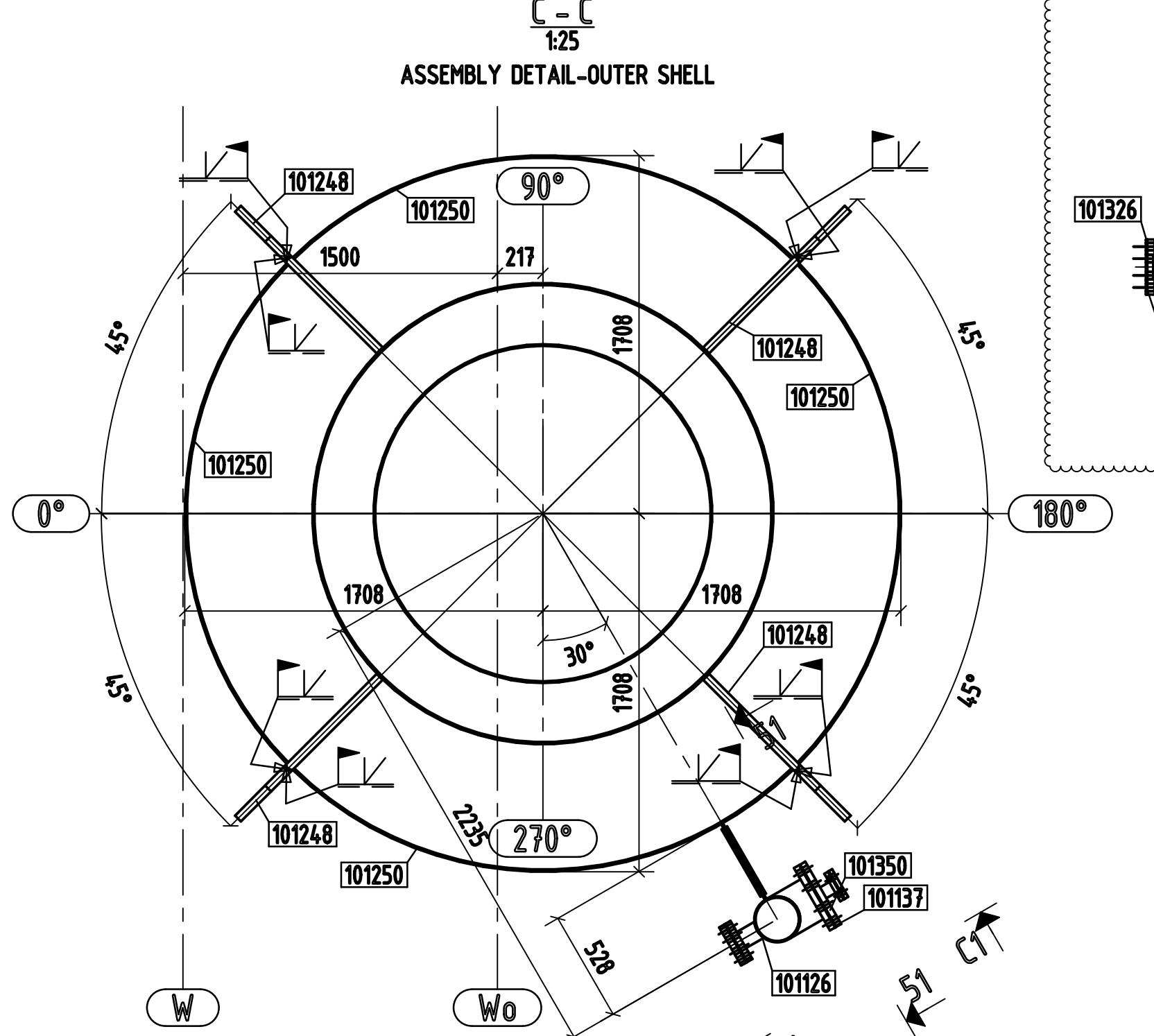
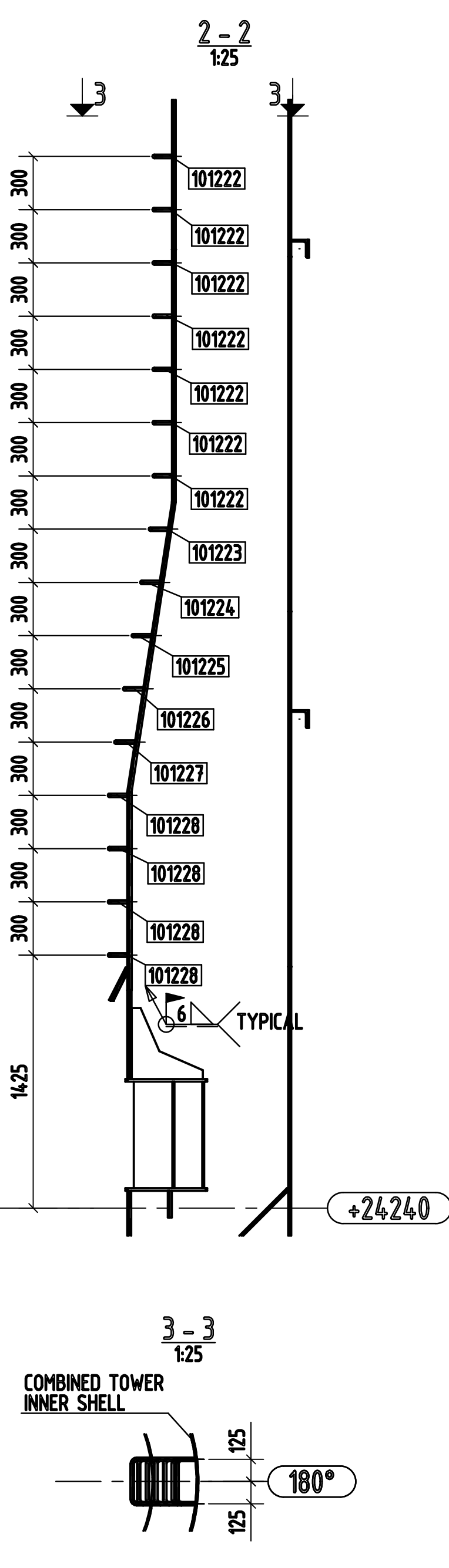
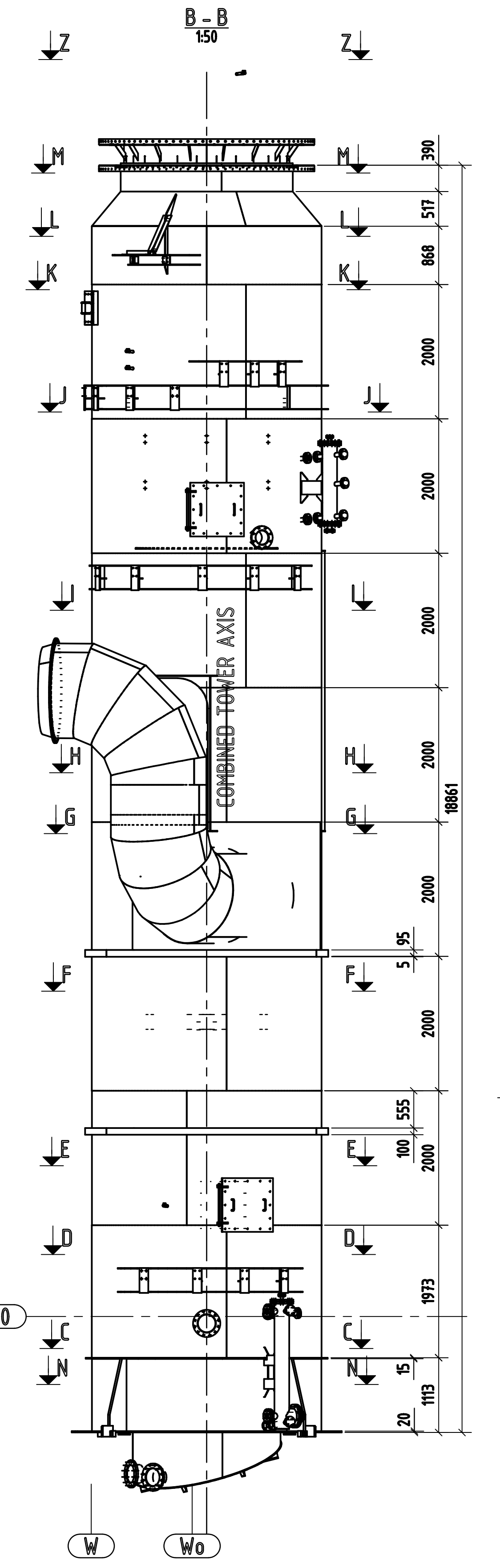
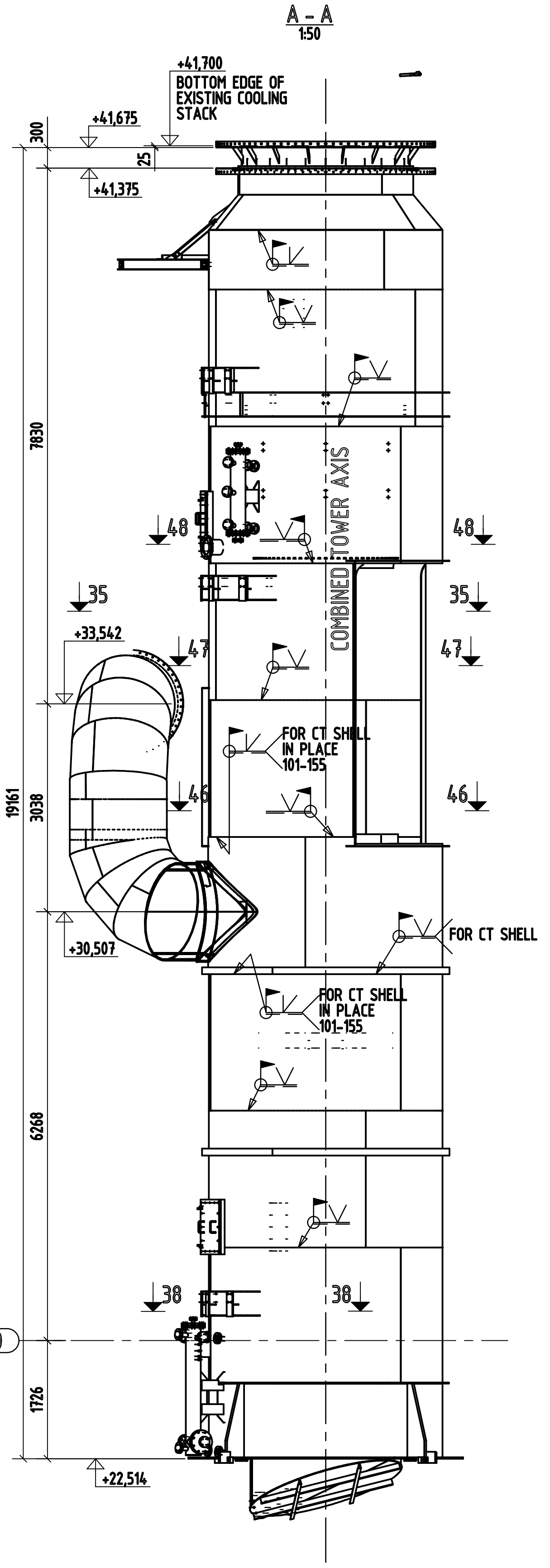
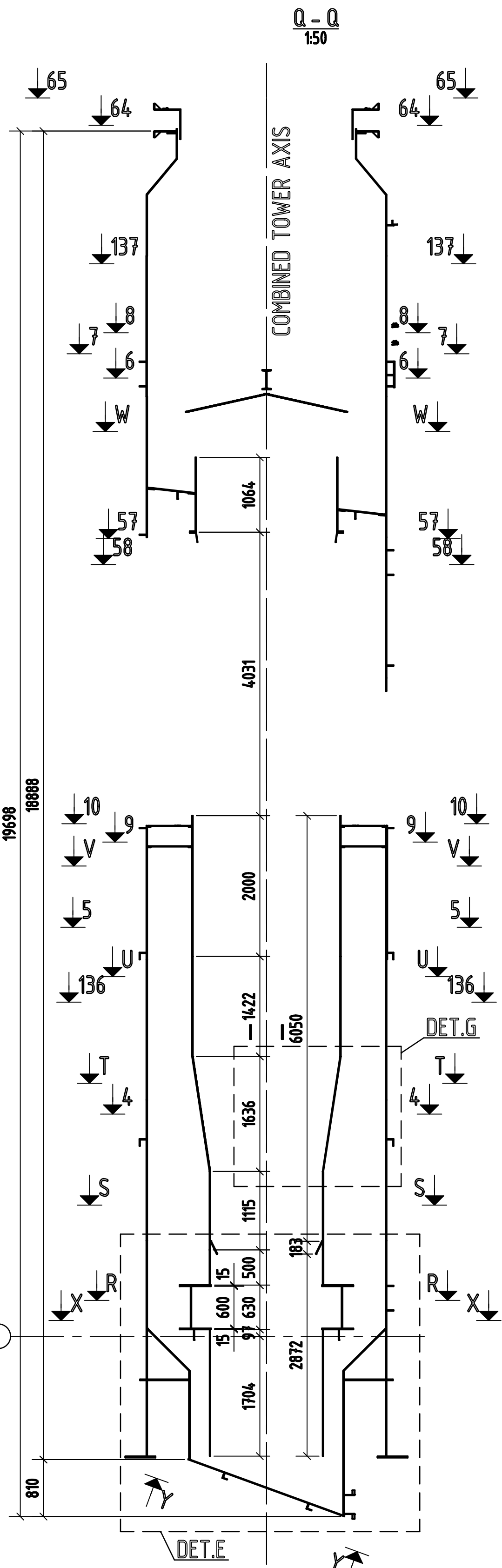
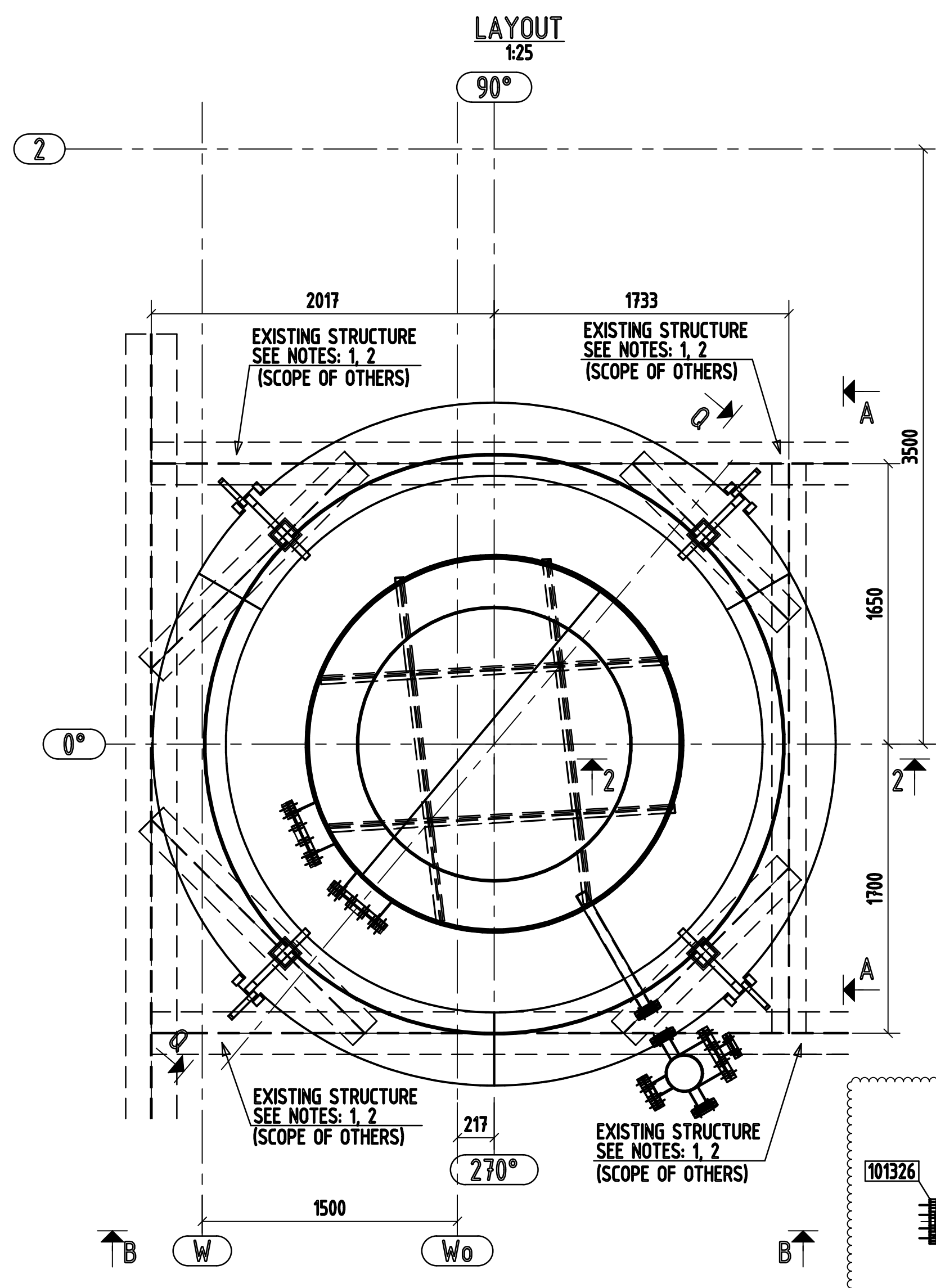
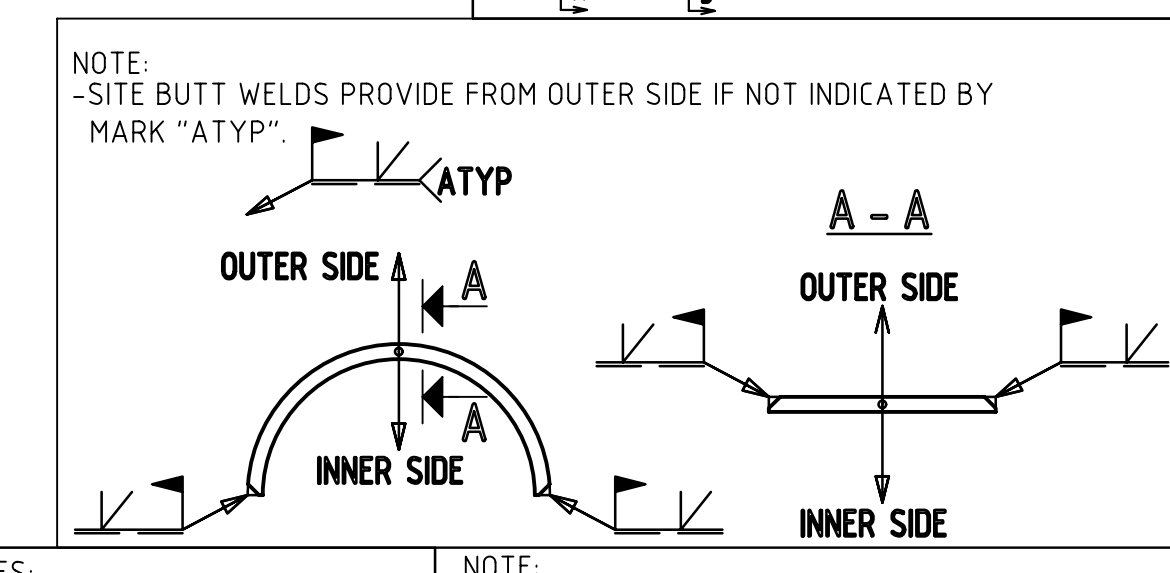


No.	DWG No.	TITLE
1	EW128.41-ST5/ZS2101.120	Assembly Drawings
2	EW128.41-ST5/DL2101.400	Detail Drawings (Assembly parts)
3	EW128.41-ST5/DL2501.550	Single Detail Drawings (Items)



NOTES:  
 1) THE EXISTING STRUCTURE MUST BE CHECKED FOR THE ANCHORAGE FORCES, SEE DRAWING: C 9Y7T EW 28 & BLP102  
 2) THE EXISTING STRUCTURE MUST BE MODIFIED THE WAY TO PROVIDE SUFFICIENT SUPPORT FOR THE DESIGNED ANCHORING DETAIL ELEMENTS  
 3) HOLES (OPENINGS) INTO WALL SHELL WILL BE CUT ON SITE BY CUSTOMER



GENERAL NOTES:  
 DISTANCES (DIMENSIONS) NOT FIXED OR INDICATED IN THE DIMENSIONING OF THE DRAWING, MUST NOT BE ANALYSED IN CAD FOR DETAIL DESIGN.  
 ALL DIMENSIONS ACCORDING METRIC SYSTEM AND WORKSHOP WELDS TO BE MADE BY WORKSHOP  
 C 9Y7T EW 28.41-ST5/ALV001

