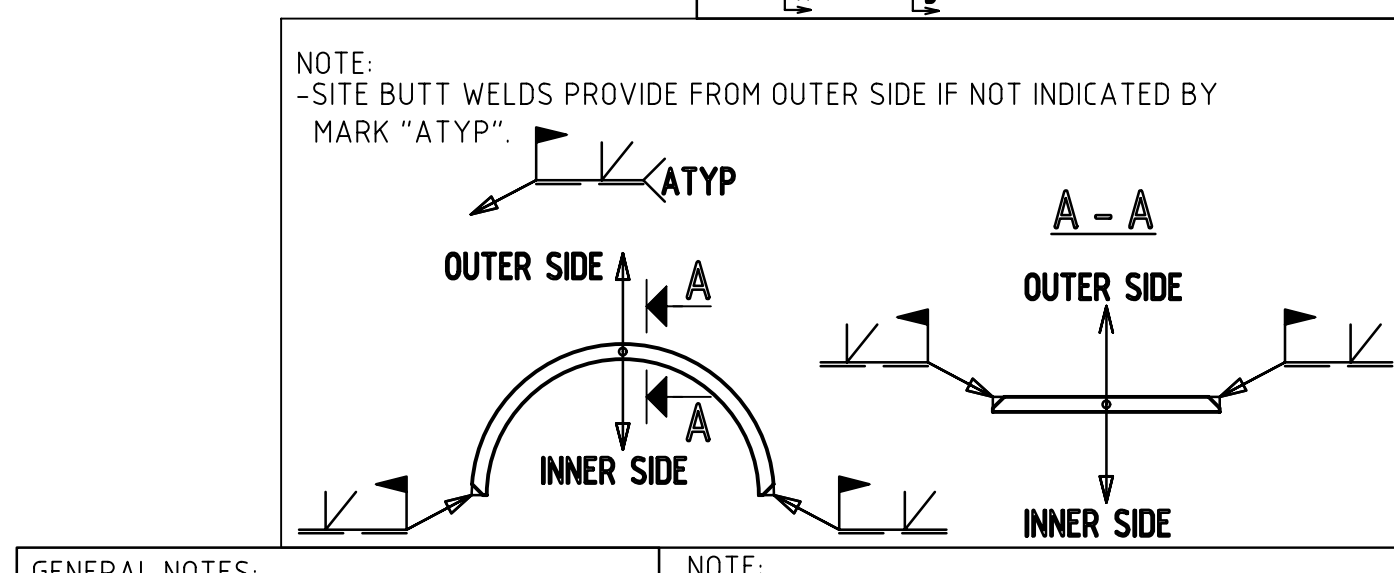
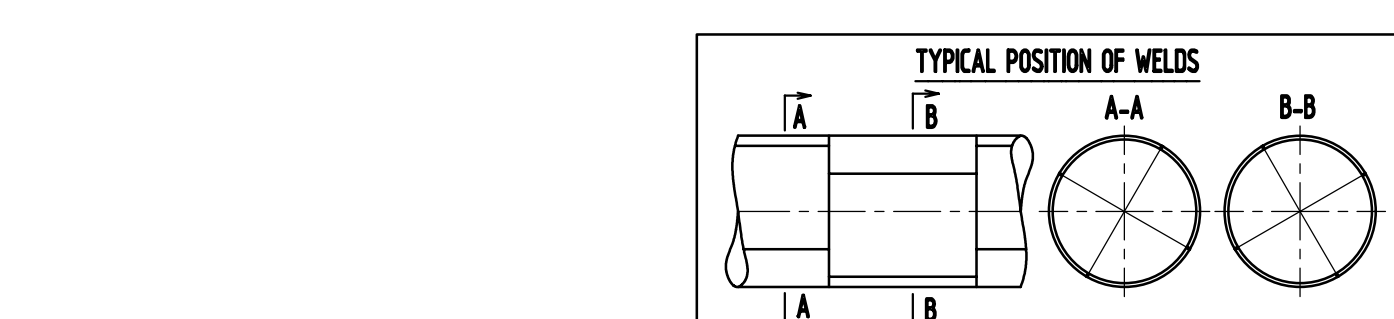
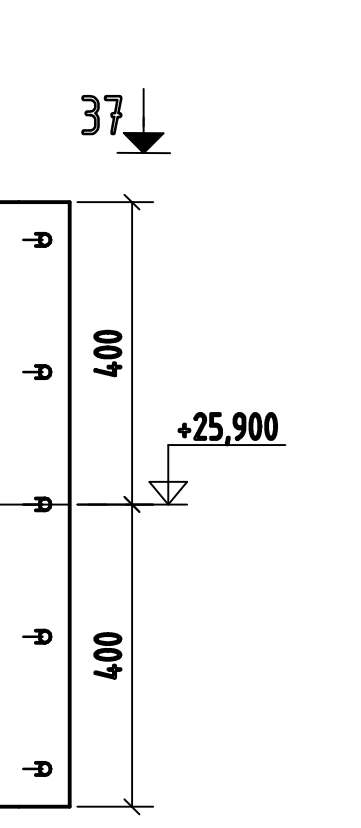
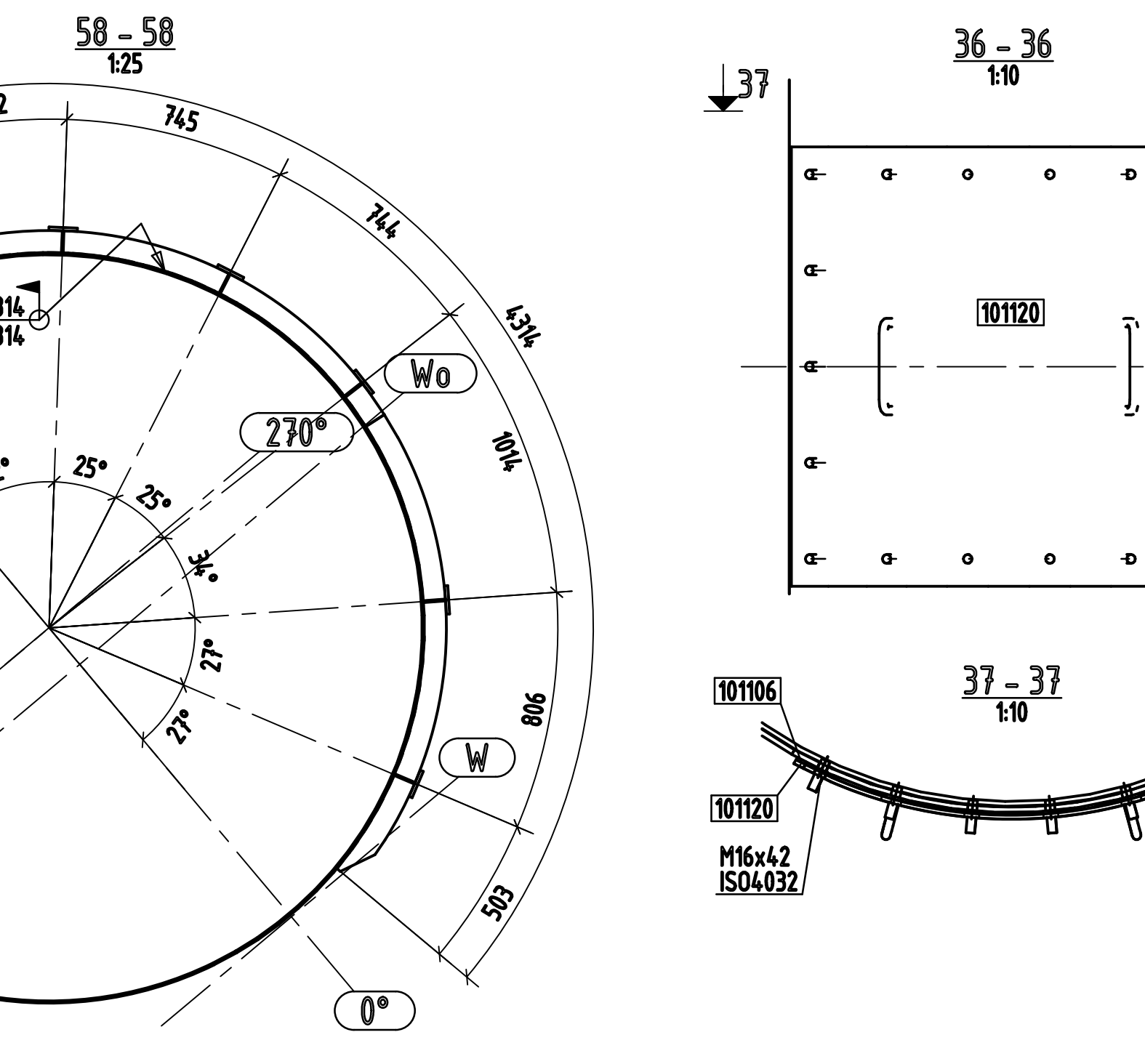
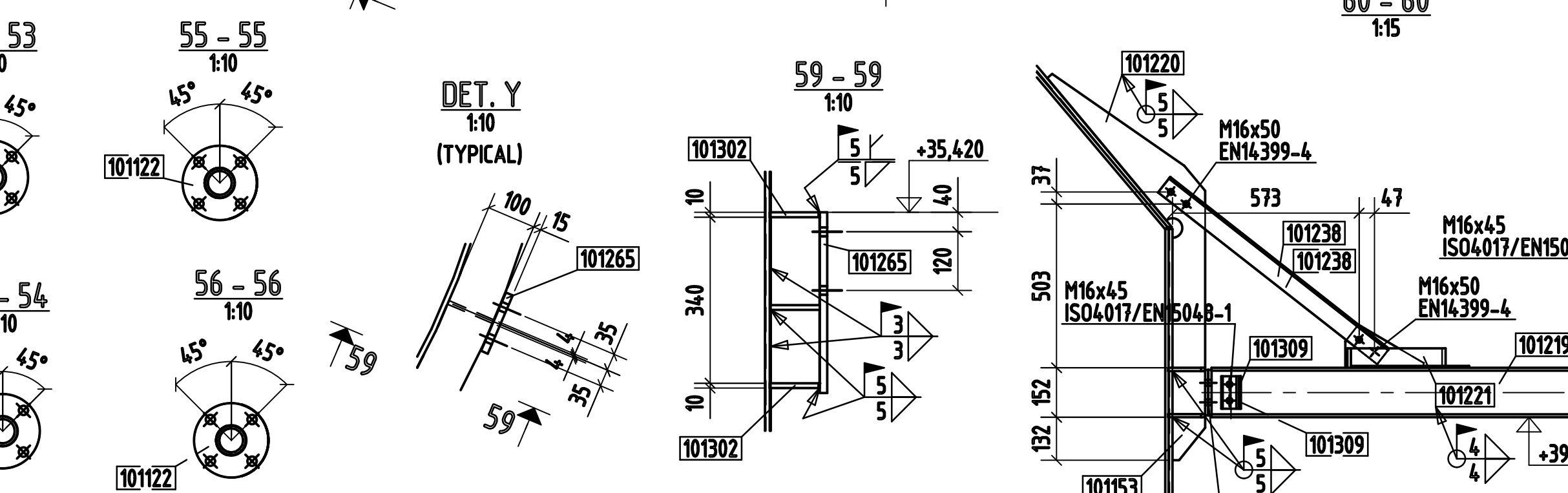
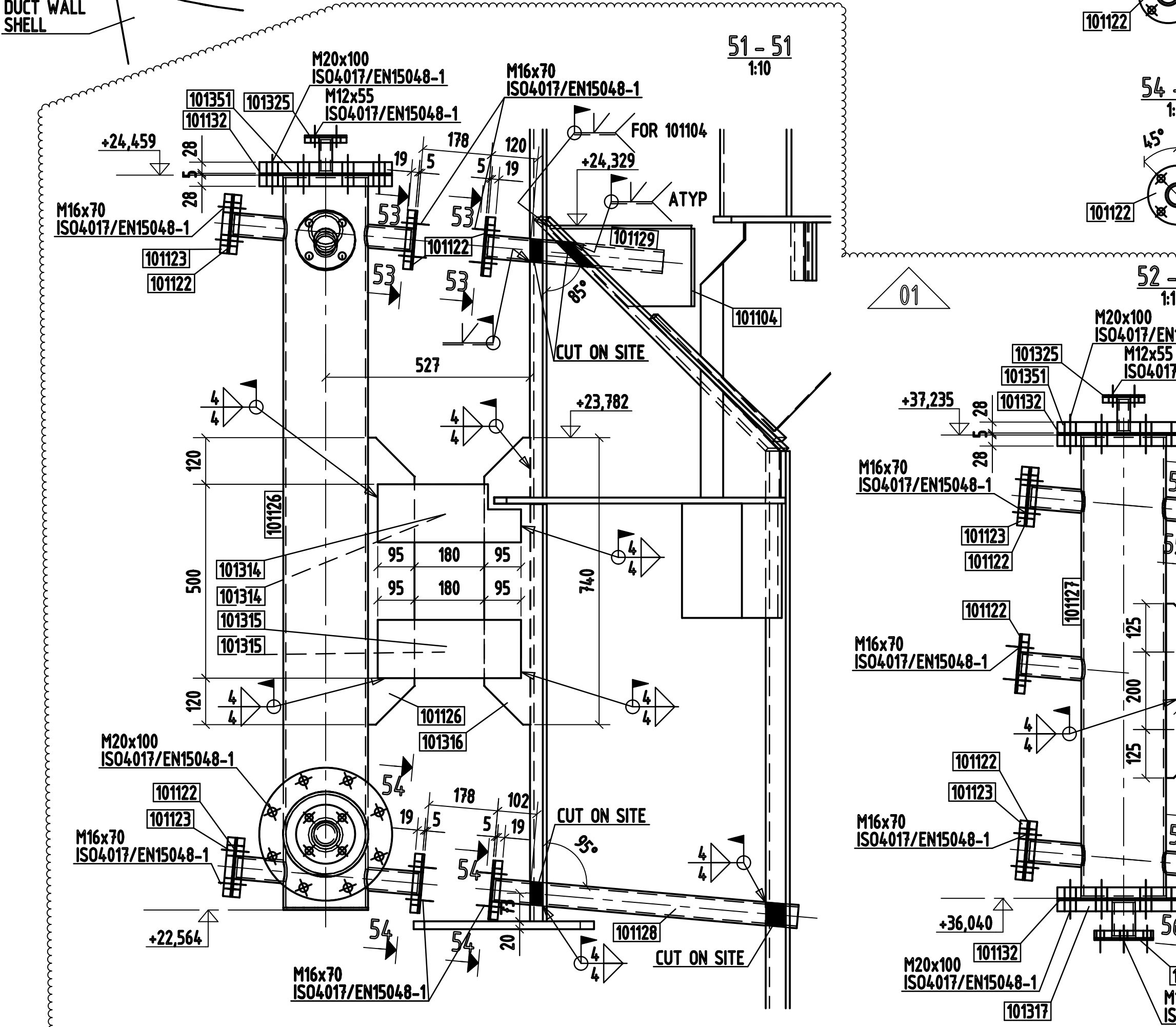
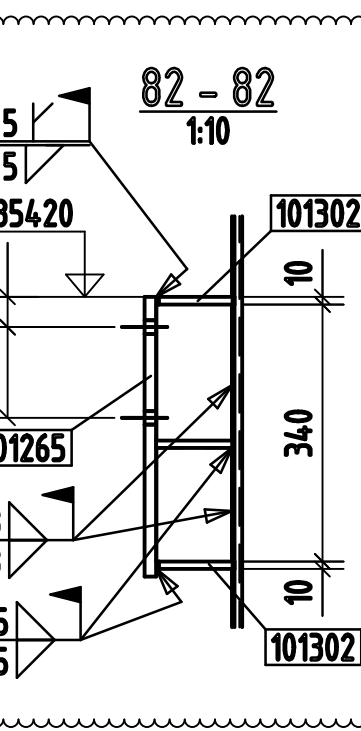
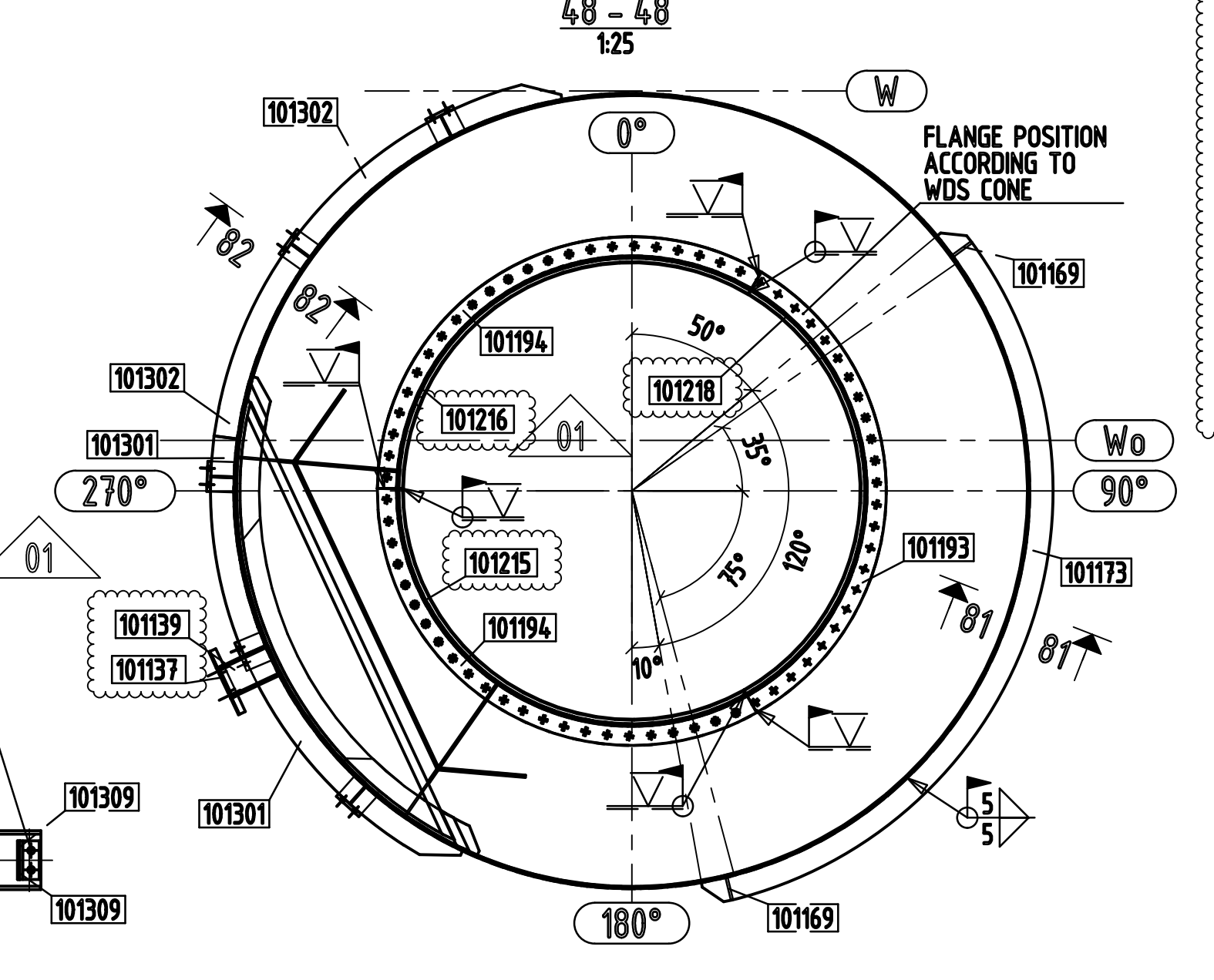
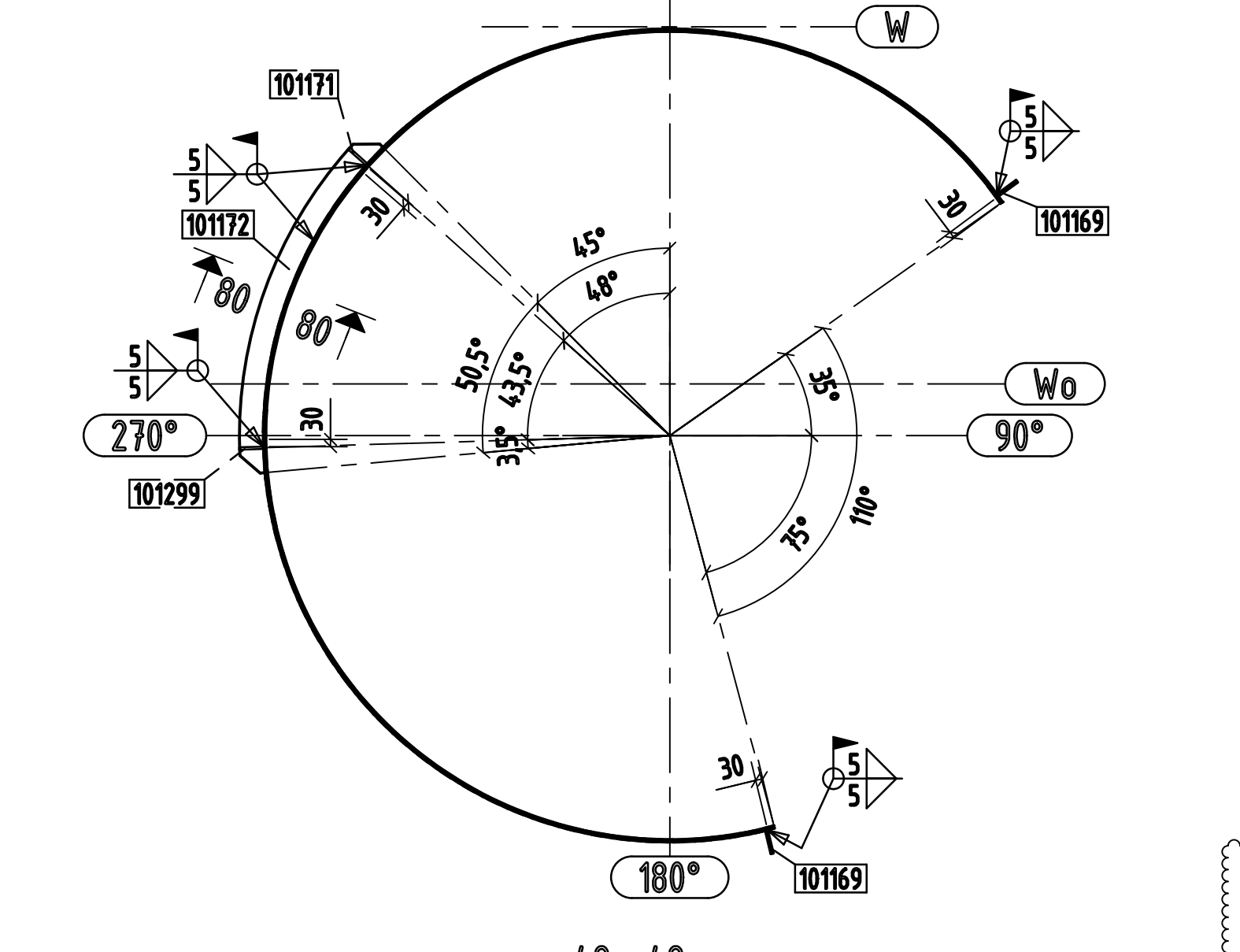
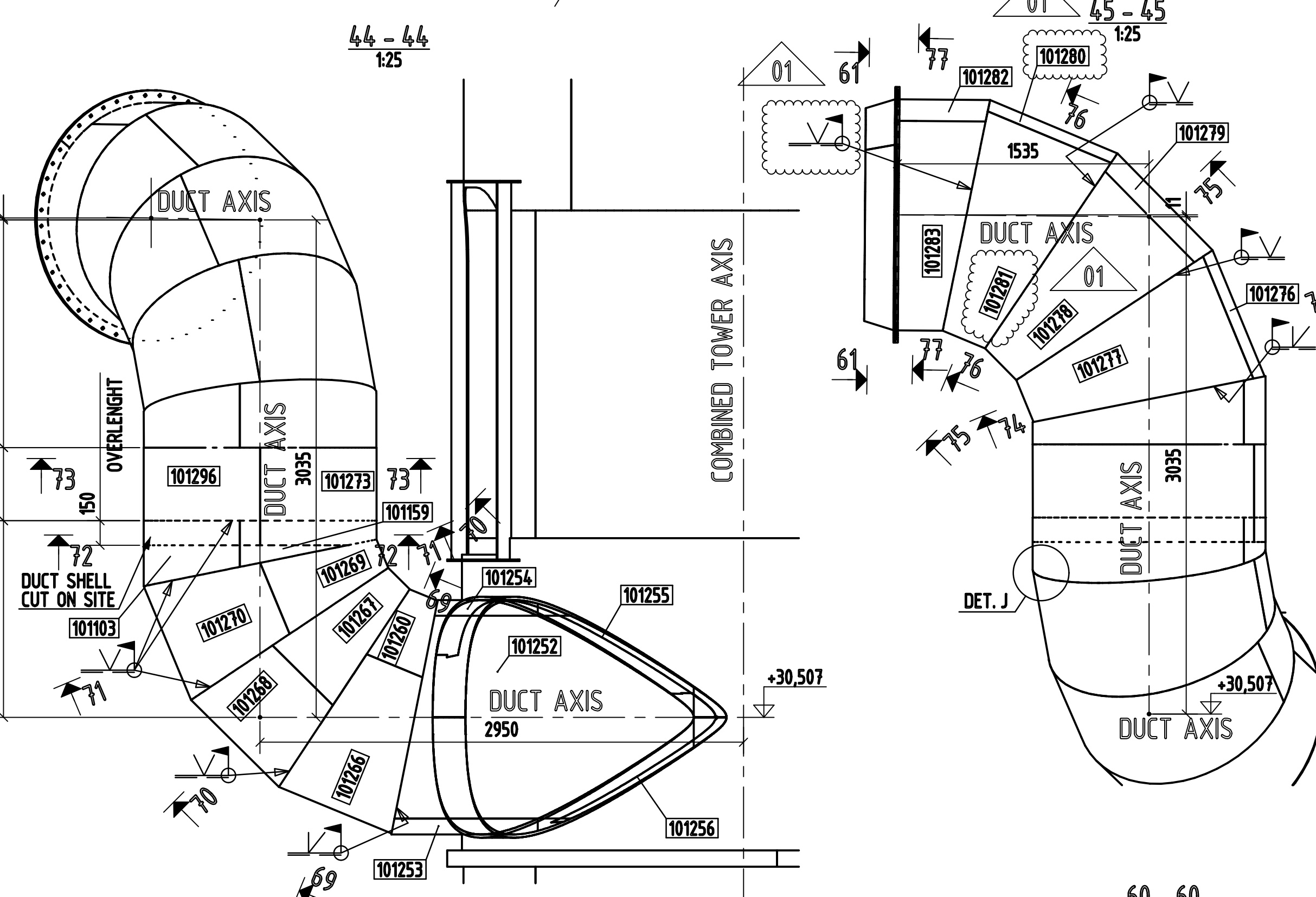
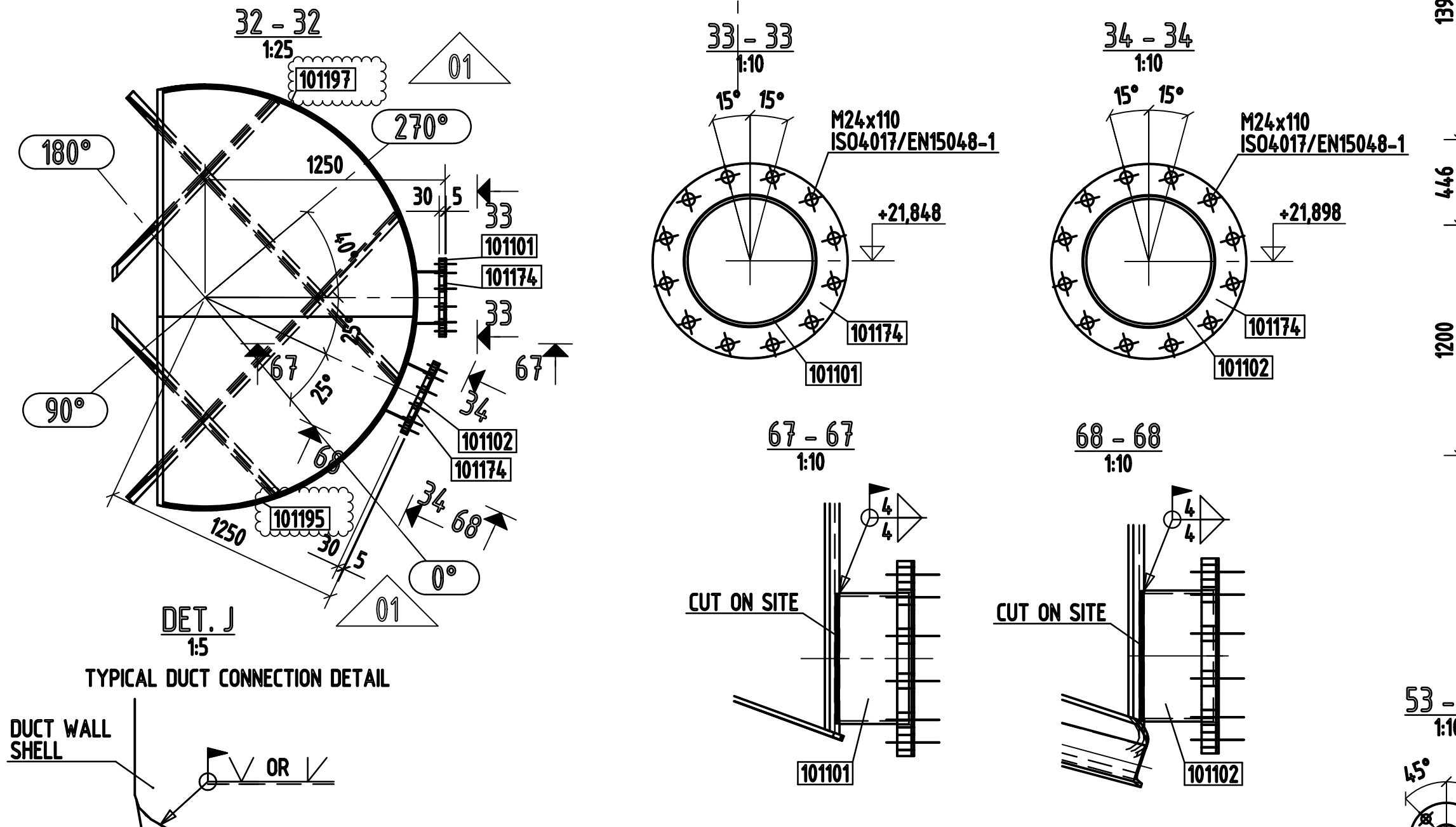
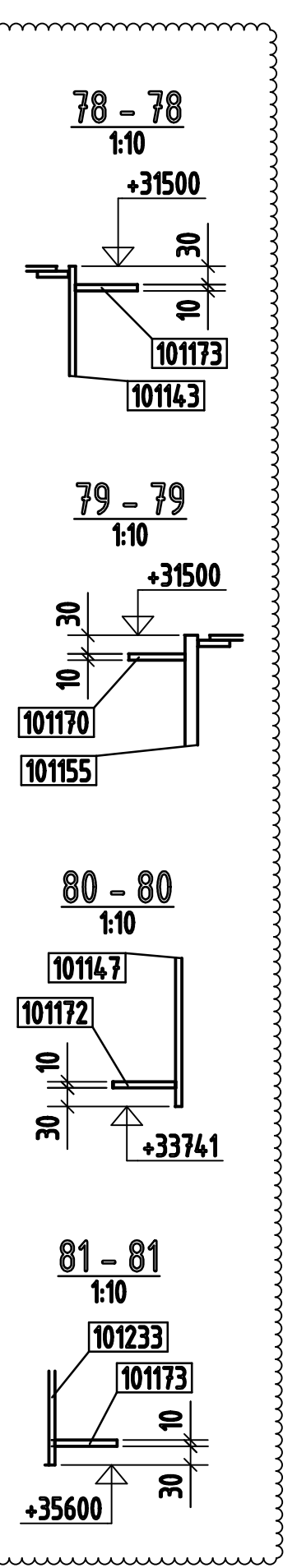
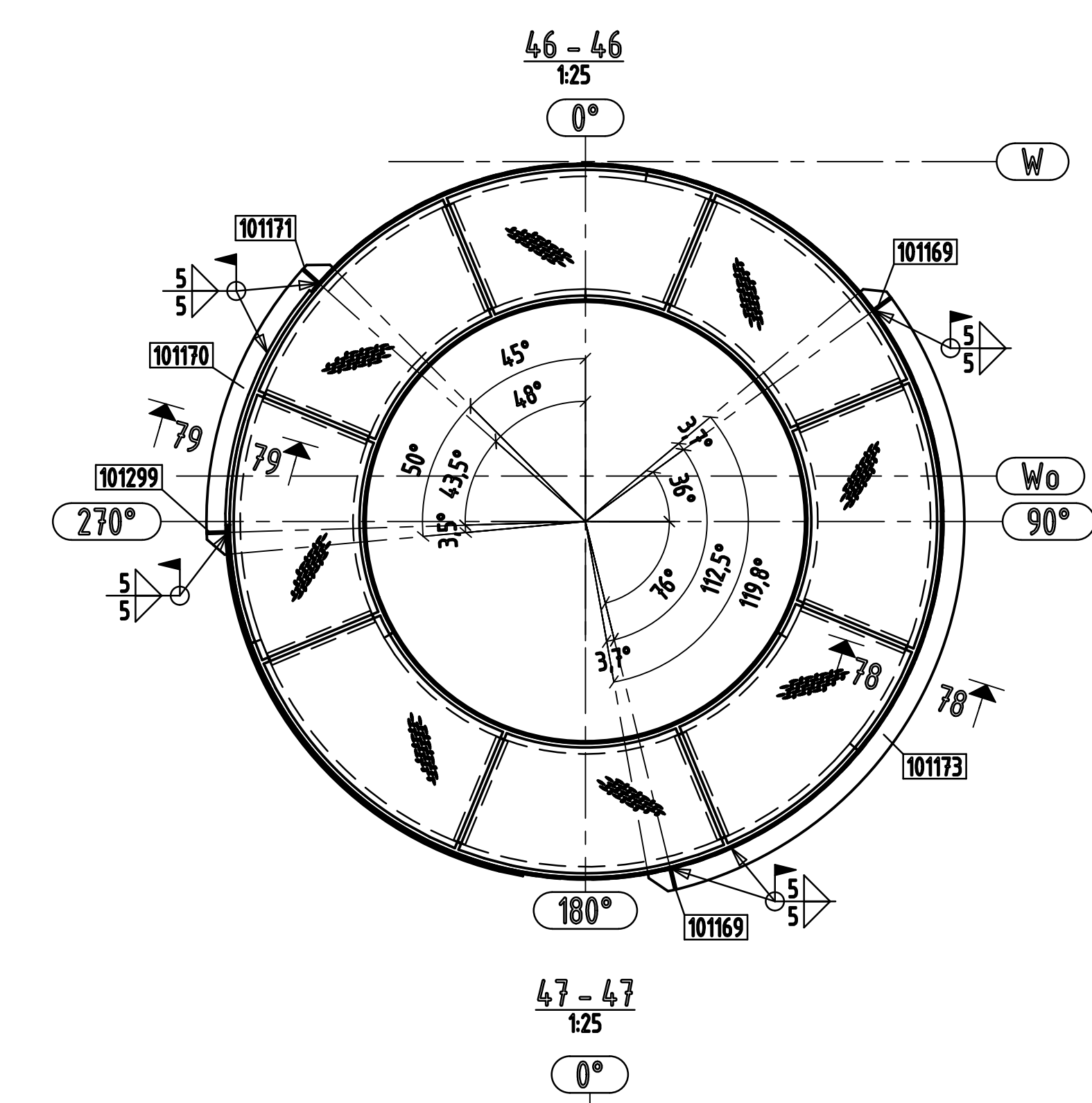
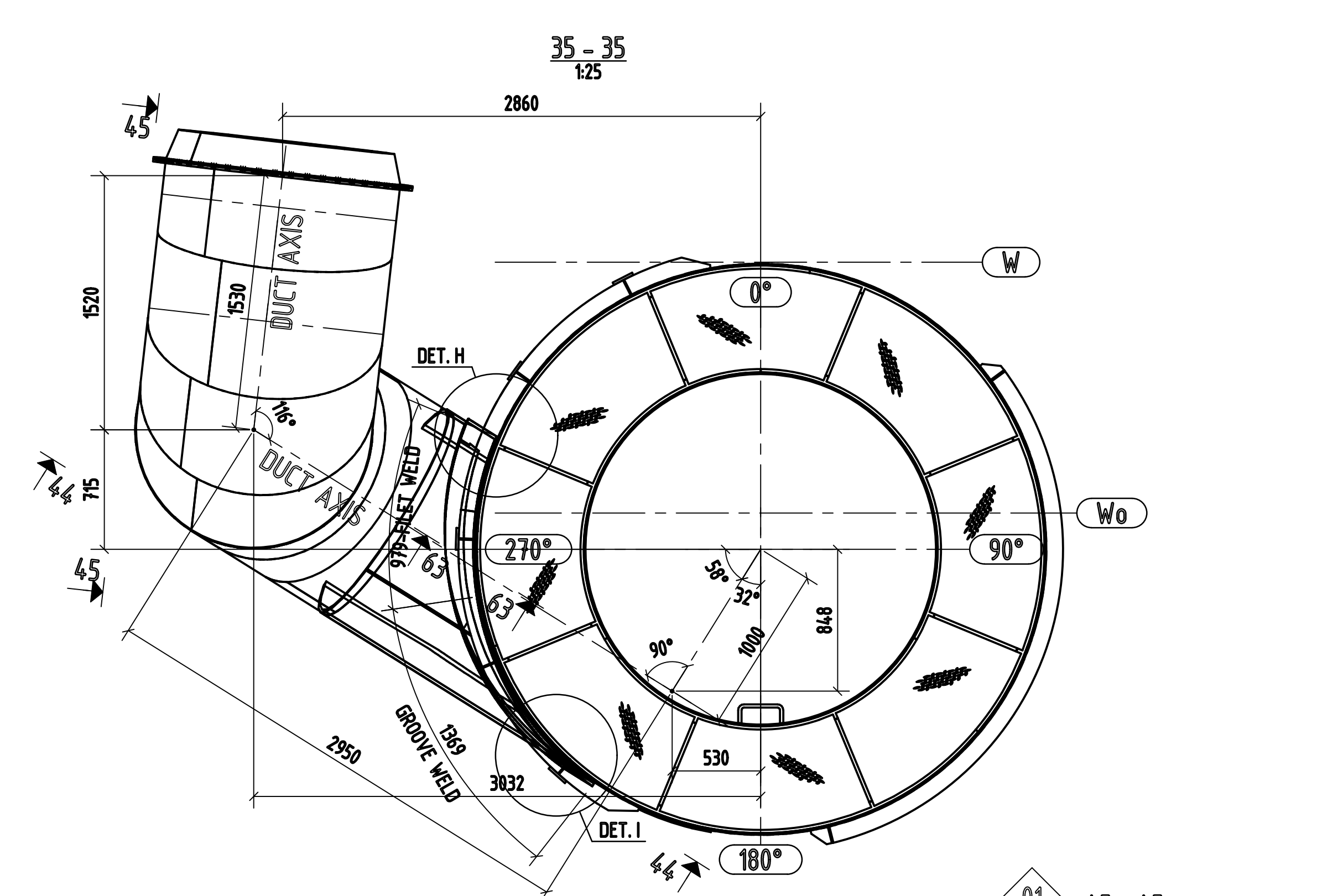
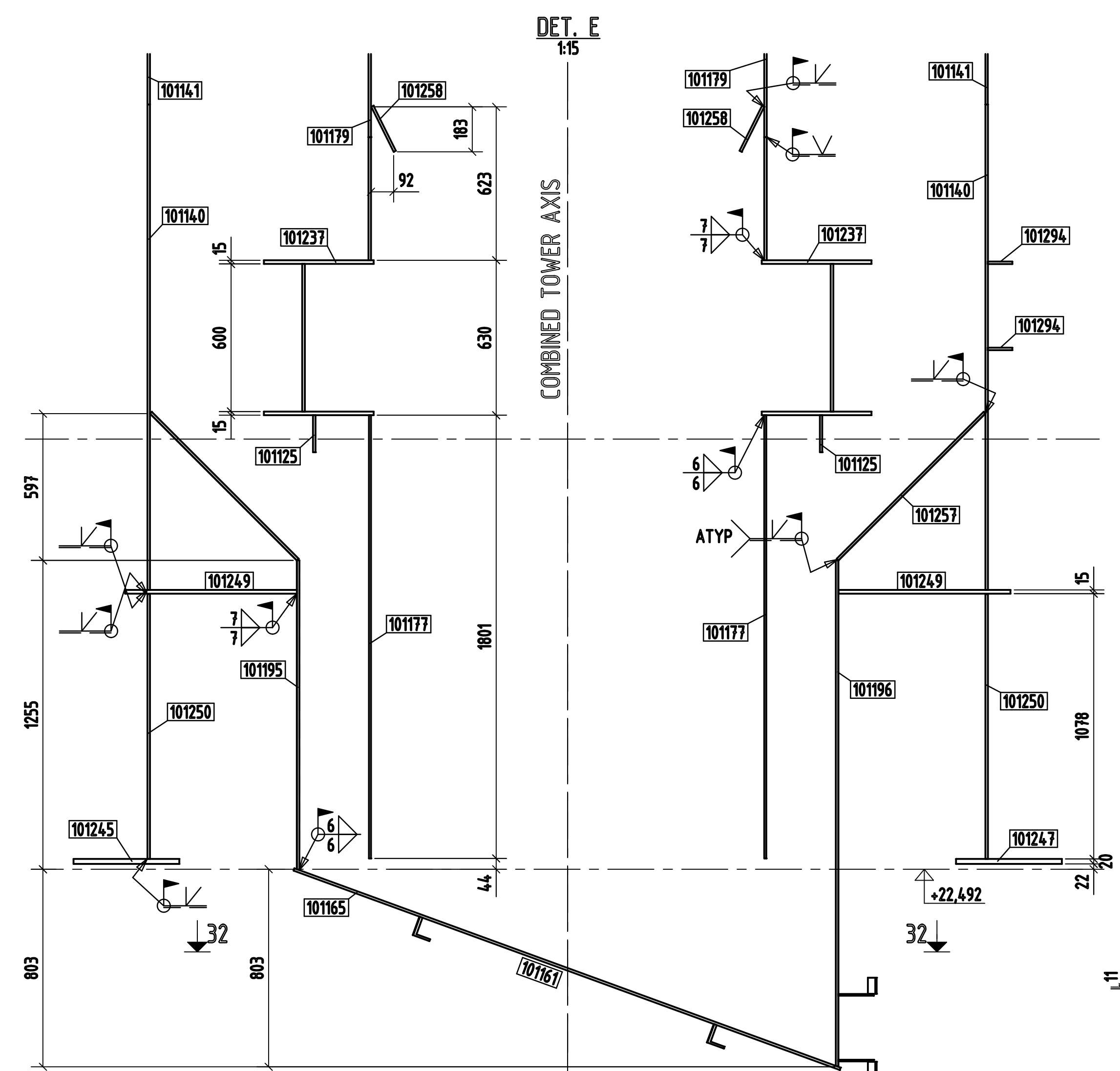
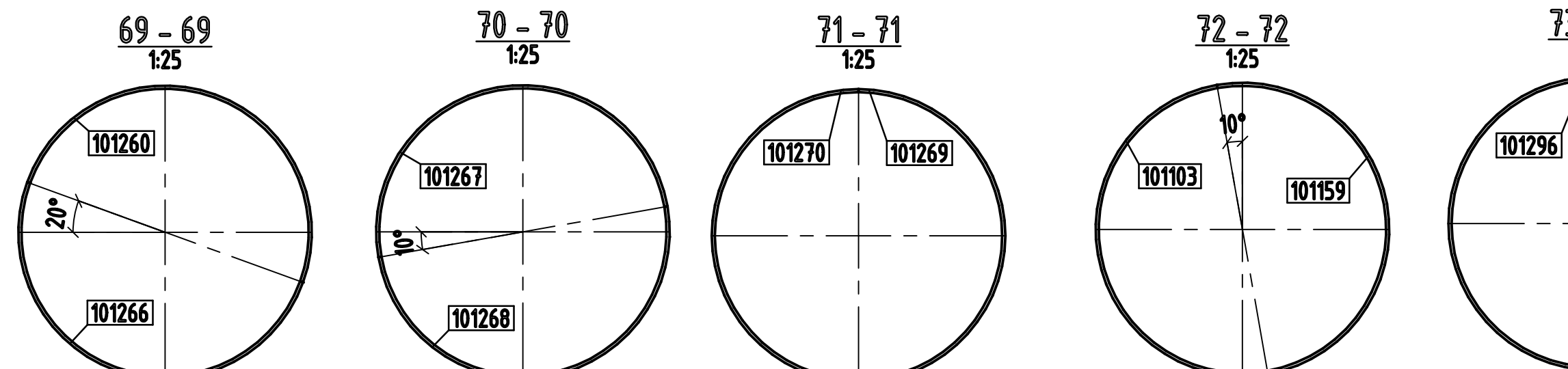
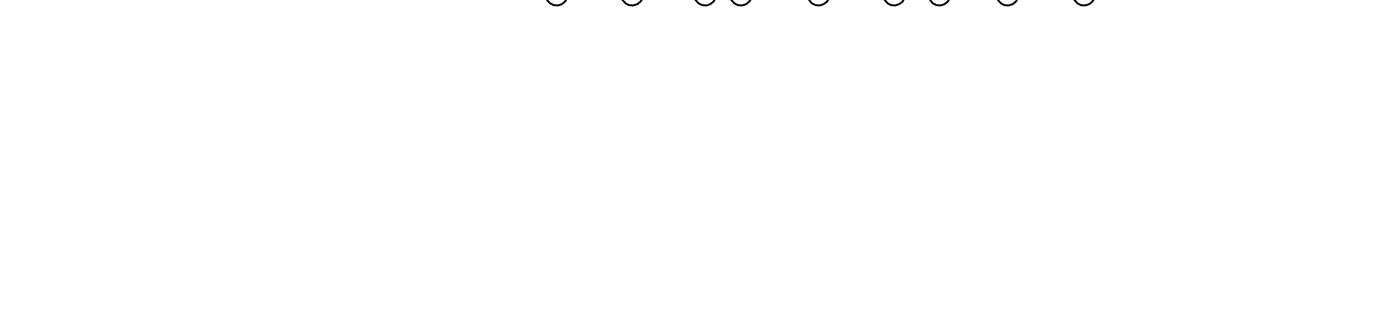
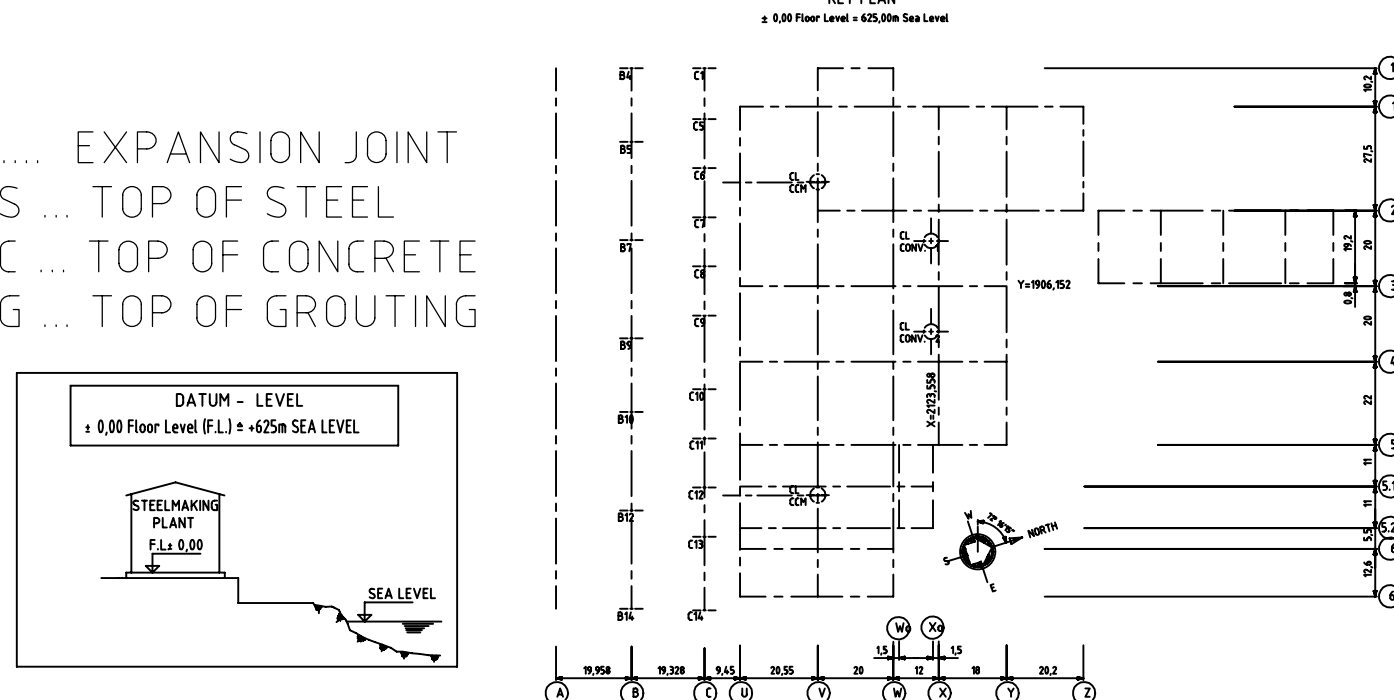


No.	DWG No.	TITLE
1	EW128.41-ST5/ZS2101.120	Assembly Drawings
2	EW128.41-ST5/DL2101.400	Detail Drawings (Assembly parts)
3	EW128.41-ST5/DL2501.550	Single Detail Drawings (Items)



GENERAL NOTES:
DISTANCES (DIMENSIONS) NOT FIXED OR INDICATED IN THE DIMENSIONING OF THE DRAWING, MUST NOT BE ANALYSED IN CAD FOR DETAIL DESIGN.
ALL DIMENSIONS ACCORDING METRIC SYSTEM.
GENERAL DRAWING SEE DRAWING No. C 9Y7T EW 28.41-ST5/ALV001



NOTES:
1) THE EXISTING STRUCTURE MUST BE CHECKED FOR THE ANCHORAGE FORCES, SEE DRAWING: C 9Y7T EW 28.4 BLP102
2) THE EXISTING STRUCTURE MUST BE MODIFIED THE WAY TO PROVIDE SUFFICIENT SUPPORT FOR THE DESIGNED ANCHORING DETAIL ELEMENTS
3) HOLES (OPENINGS) INTO WALL SHELL WILL BE CUT ON SITE BY CUSTOMER