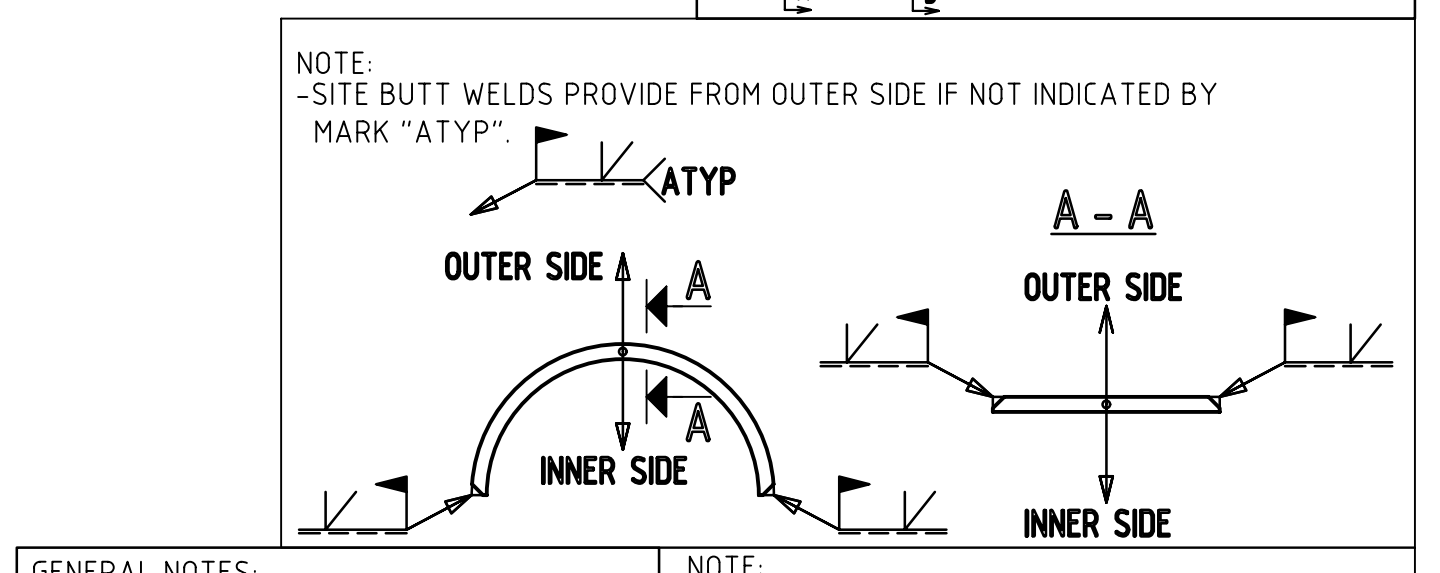
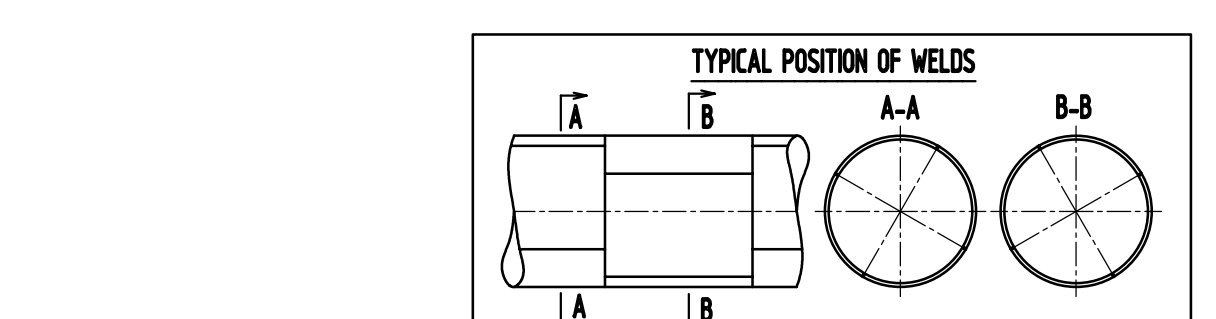
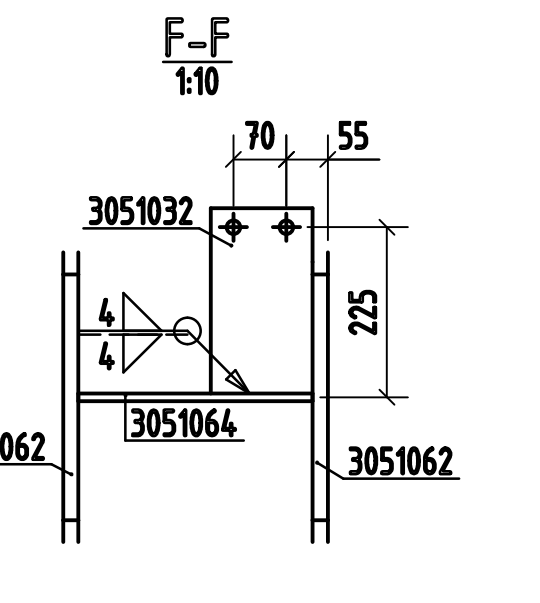
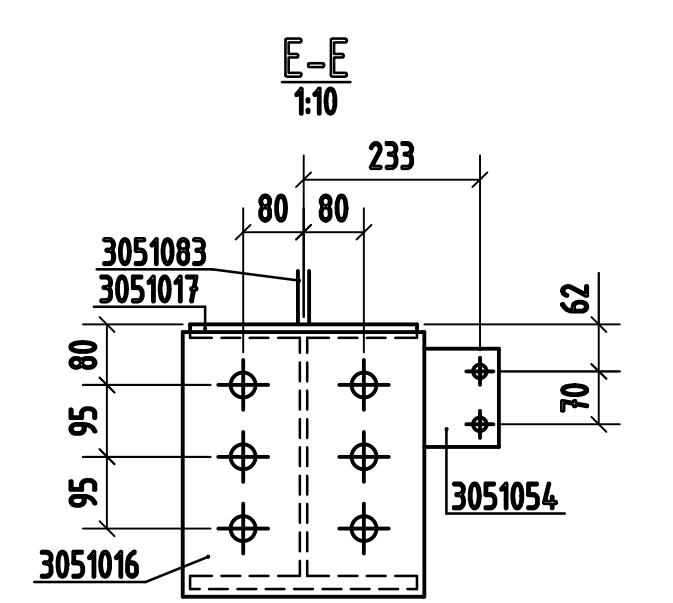
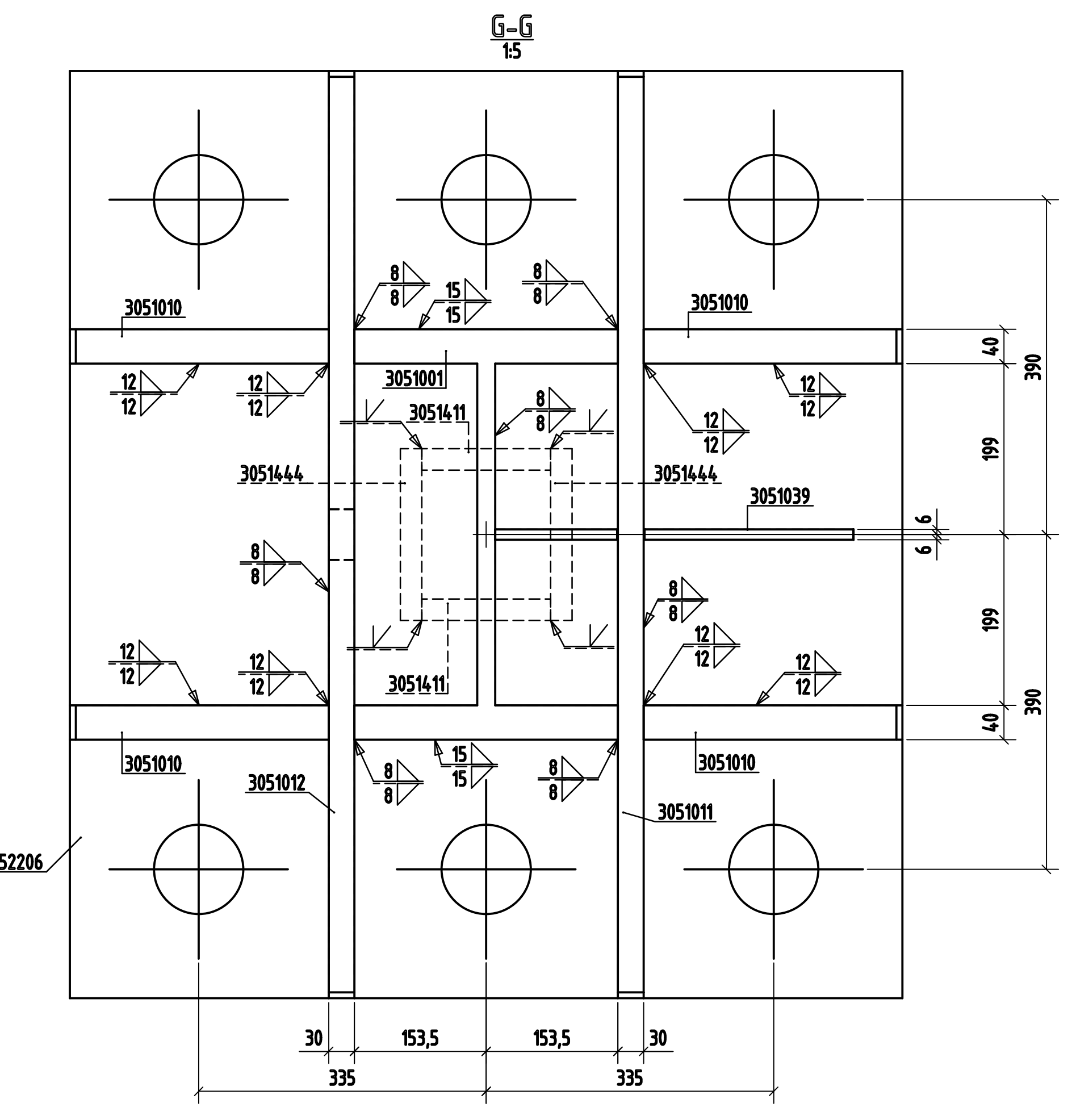
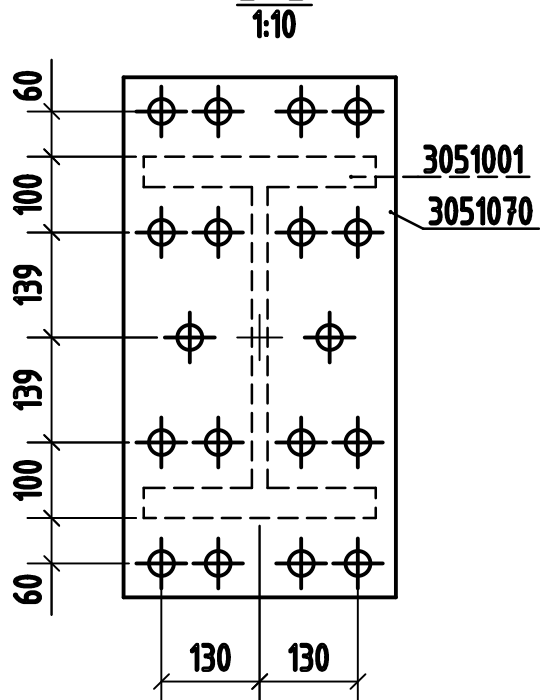
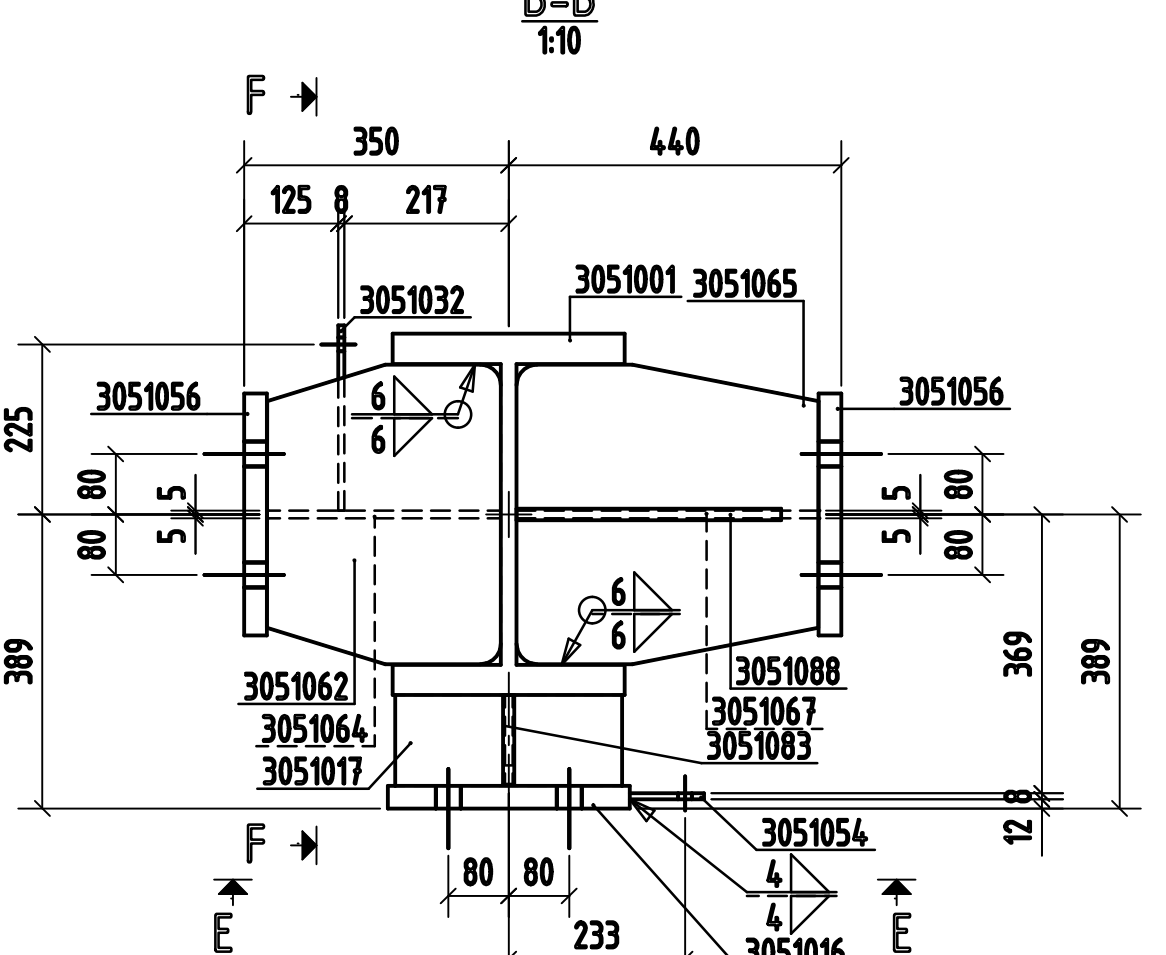
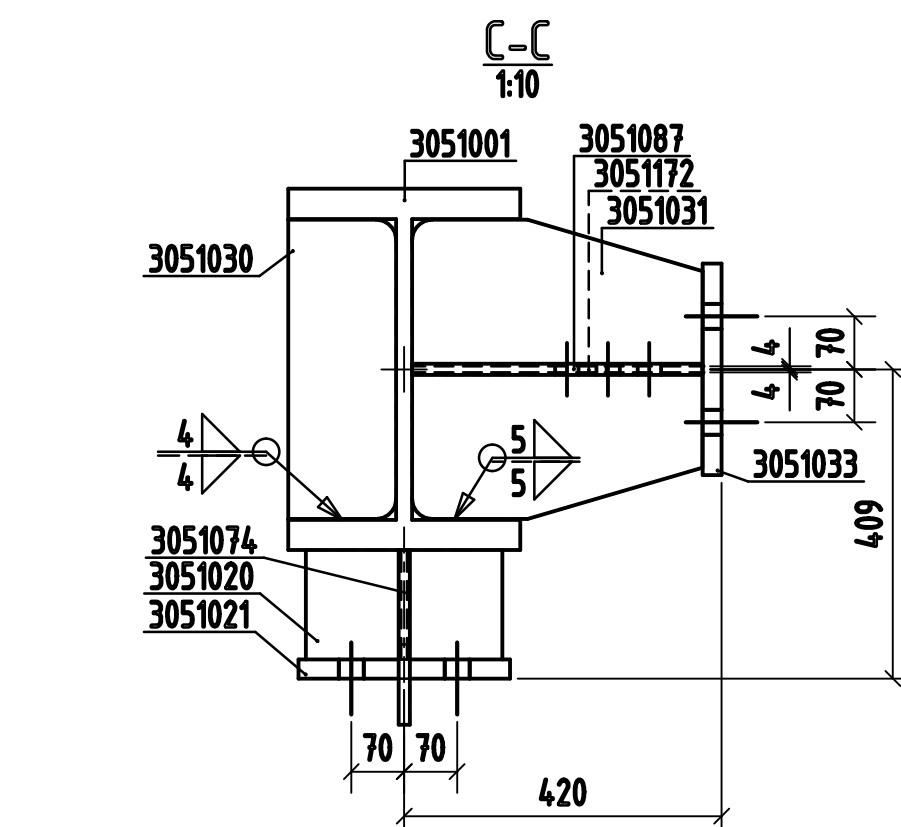
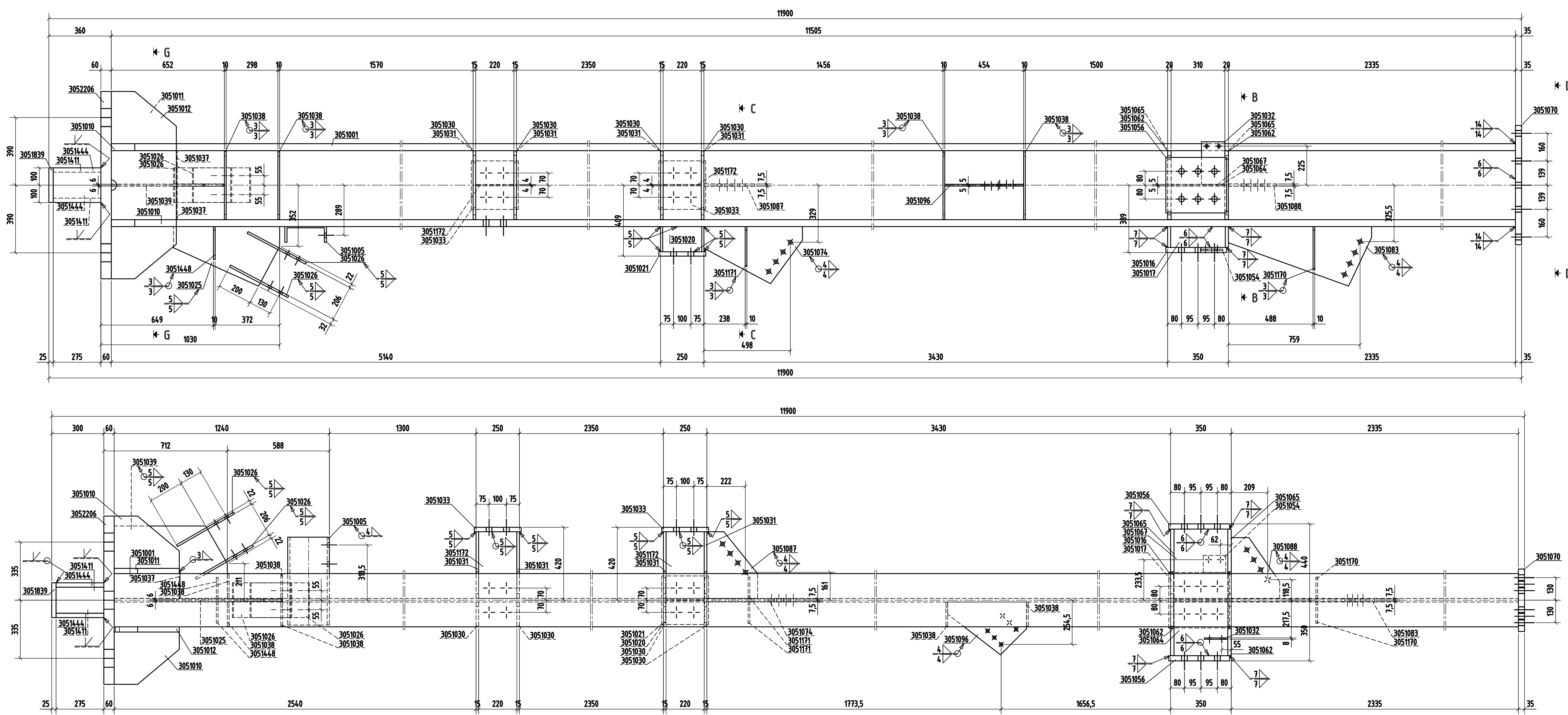


REFERENCE DRAWINGS		TITLE
No.	DWG No.	
1	Ew.34.22-SSS0100/ZSZ101..150	Assembly Drawings
2	Ew.34.22-SSS0100/DLZ101..700	Detail Drawings (Assembly parts)
3	Ew.34.22-SSS0100/DLZ101..800	Single Detail Drawings (Items)



GENERAL NOTES:
 DISTANCES (DIMENSIONS), NOT FIXED OR INDICATED IN THE DIMENSIONING OF THE DRAWING, MUST NOT BE ANALYSED IN CAD FOR DETAIL DESIGN!
 ALL DIMENSIONS ACCORDING METRIC SYSTEM!
 GENERAL DRAWING SEE DRAWING No. C.9Y7T.EW.34.22-SSS0100/ALV001

NOTE:
 -SITE BUTT WELDS PROVIDE FROM OUTER SIDE IF NOT INDICATED BY MARK "ATYP".

NOTE:
 ALL DIMENSIONS OF SHEETS AND PROFILES ARE EXACT DIMENSIONS WITHOUT CONSIDERING ROOT GAPS AND OTHER PREPARATION FOR WELDING!
 ROOT GAPS AND OTHER PREPARATION FOR SITE AND WORKSHOP WELDS TO BE MADE BY WORKSHOP

ASSEMBLY No.	PROFILE	QUANTITY	UNIT	MATERIAL	WEIGHT
3051001	PL18-30	1	PC	S235JR	3934,8
3051005	PL18-30	1	PC	S235JR	6,4
3051010	PL14-30	4	PC	S235JR-235	111,6
3051011	PL30-375	1	PC	S235JR	84,1
3051012	PL30-375	1	PC	S235JR	8,7
3051016	PL30-320	1	PC	S235JR	26,4
3051017	PL18-30	1	PC	S235JR	13,5
3051020	PL18-30	1	PC	S235JR	9,9
3051021	PL25-300	1	PC	S235JR	14,8
3051025	PL10-43	1	PC	S235JR	13,4
3051026	PL10-300	4	PC	S235JR	37,6
3051030	PL15-43	4	PC	S235JR	26,5
3051031	PL15-405	4	PC	S235JR	64,1
3051032	PL14-05	1	PC	S235JR	2,1
3051033	PL25-300	2	PC	S235JR	29,7
3051037	PL15-43	2	PC	S235JR	2,3
3051038	PL18-40	6	PC	S235JR	25,9
3051039	PL10-47	1	PC	S235JR	23,2
3051054	PL18-30	1	PC	S235JR	0,8
3051055	PL30-320	2	PC	S235JR	52,8
3051062	PL18-30	2	PC	S235JR	36,0
3051064	PL18-30	1	PC	S235JR	7,5
3051065	PL18-400	1	PC	S235JR	45,8
3051067	PL18-30	1	PC	S235JR	8,7
3051070	PL35-30	1	PC	S235JR-235	68,1
3051074	PL15-429	1	PC	S235JR	14,7
3051083	PL15-43	1	PC	S235JR	21,0
3051087	PL15-292	1	PC	S235JR	10,5
3051088	PL15-179	1	PC	S235JR	8,8
3051096	PL18-304	1	PC	S235JR	7,2
3051170	PL18-06	2	PC	S235JR	3,0
3051171	PL18-06	2	PC	S235JR	2,8
3051172	PL18-230	2	PC	S235JR	10,6
3051411	PL25-10	2	PC	S235JR	14,2
3051414	PL18-06	2	PC	S235JR	21,4
3051418	PL18-06	2	PC	S235JR	2,3
3051839	PL25-300	1	PC	S235JR	7,0
3052206	PL16-178	1	PC	S235JR-235	493,4
SM					4449,6