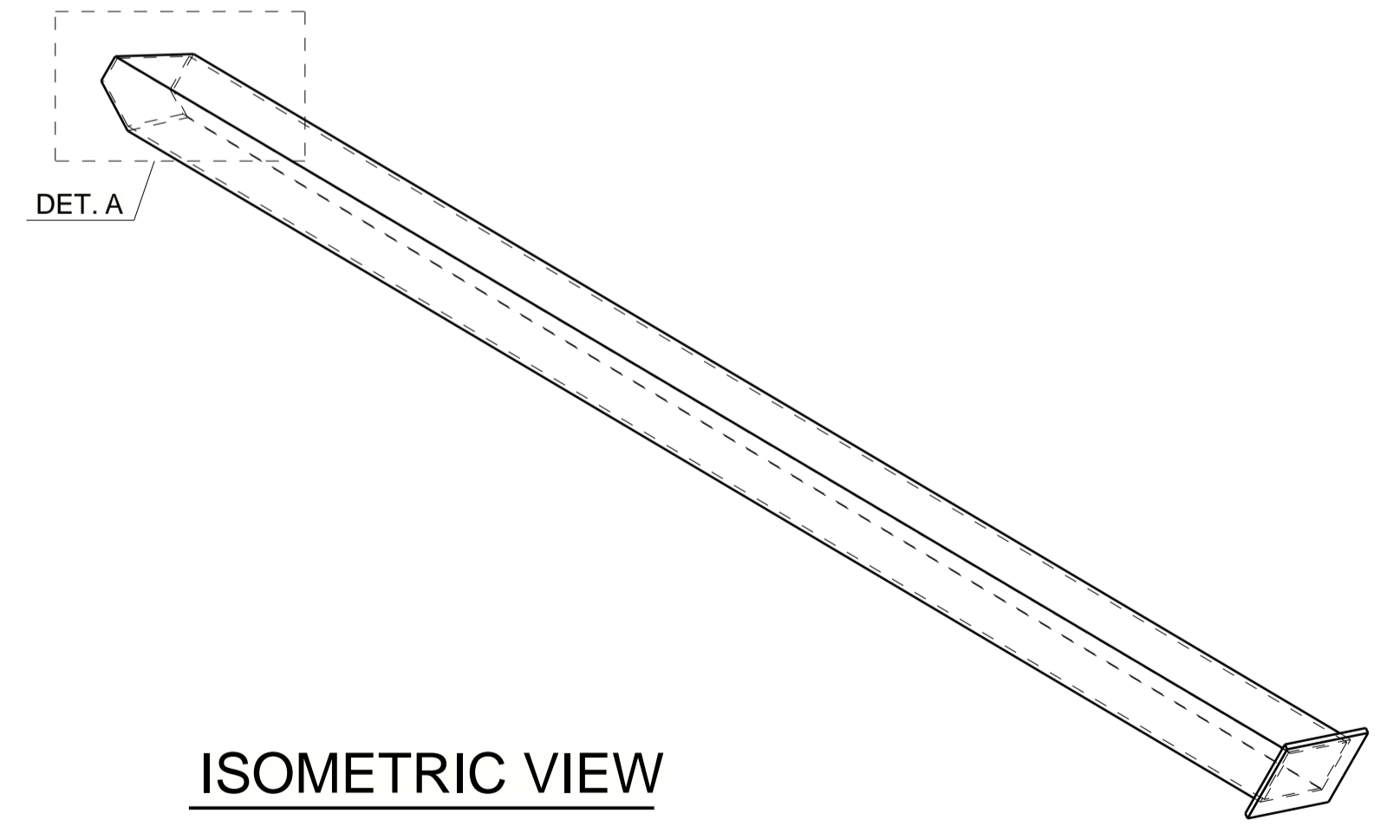
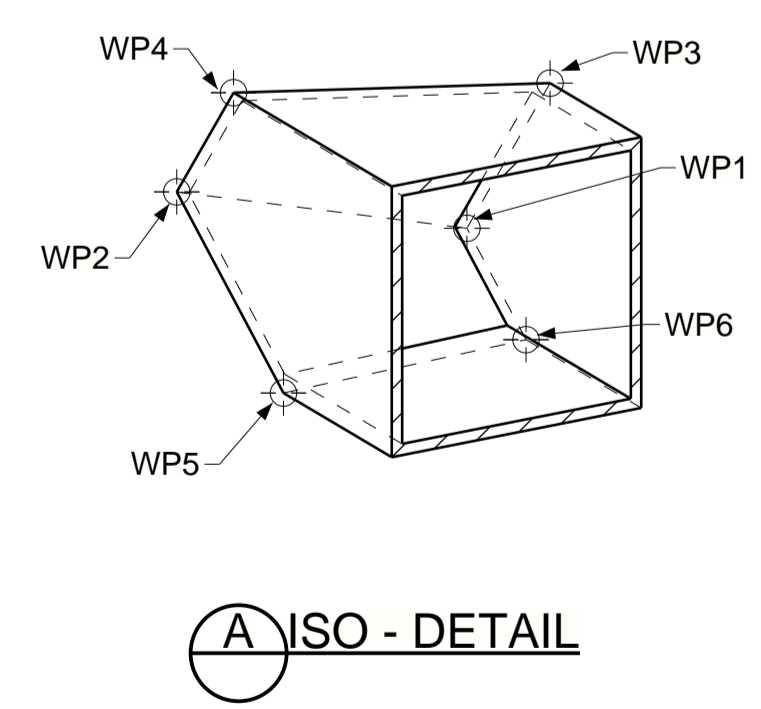
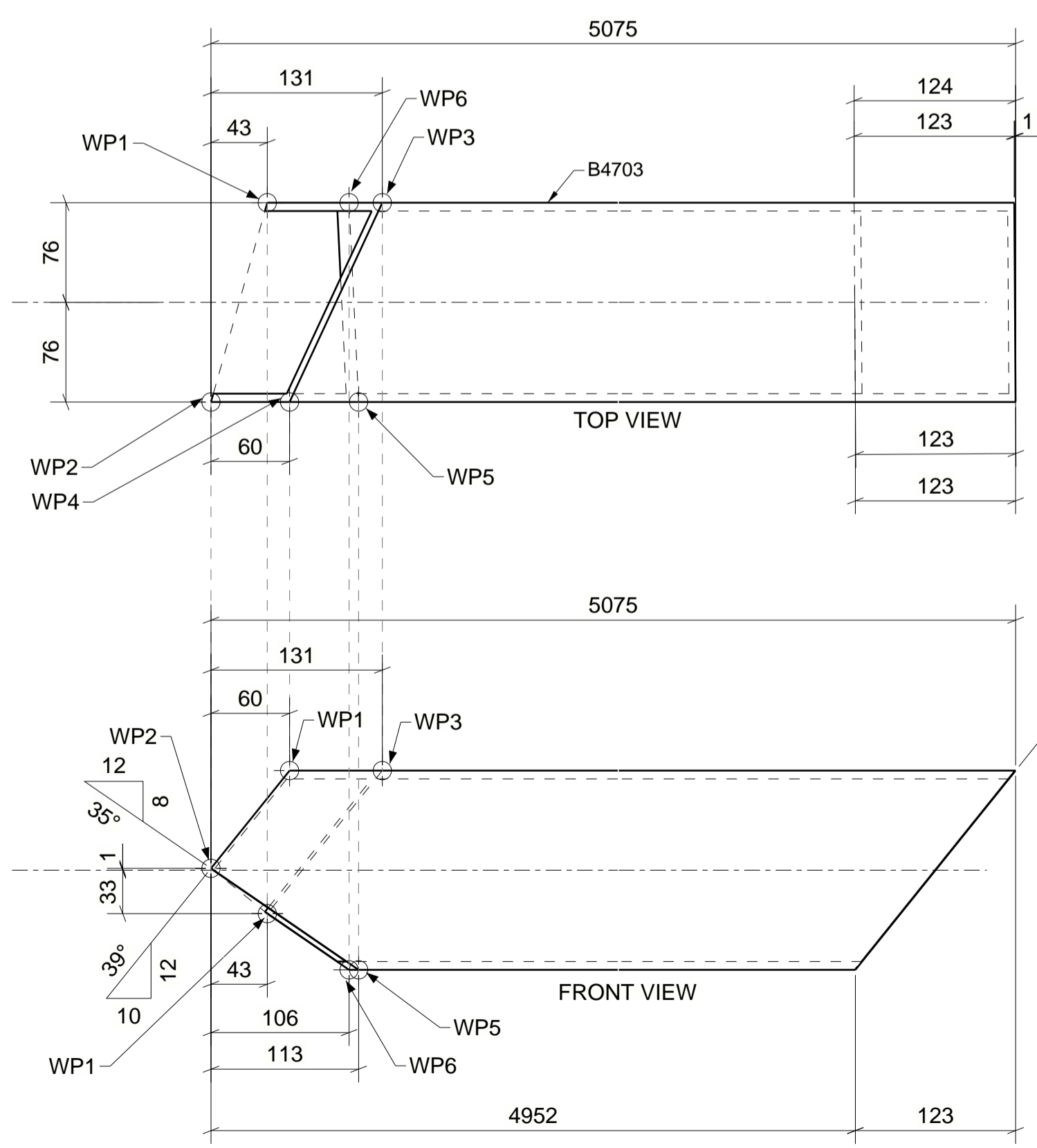
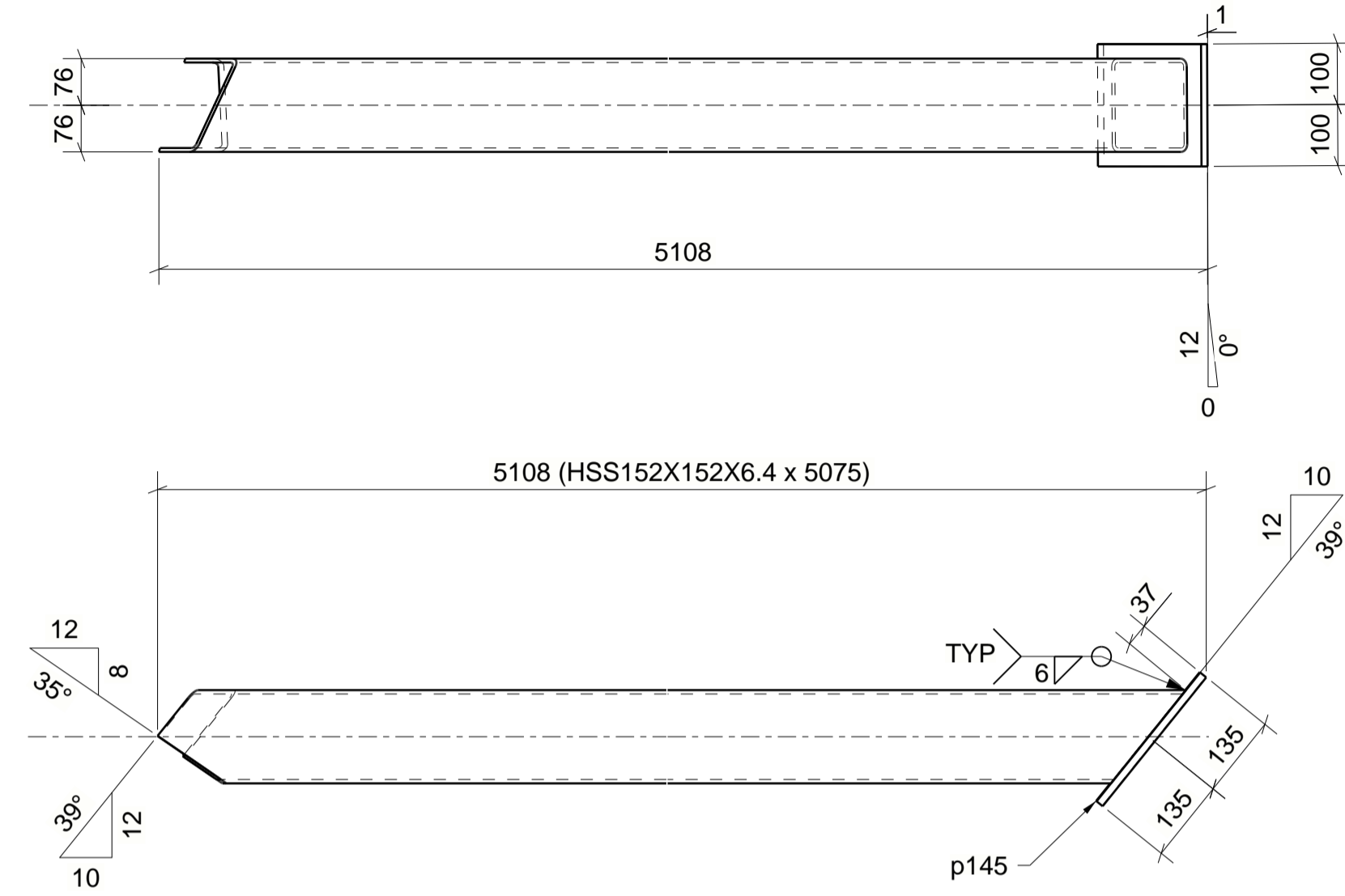


		SHIPPING BILL		SHOP BILL						
SEC	NO. Pcs.	ERECTION MARK	NO.	SHAPE	MATERIAL GRADE	LENGTH	ASSY. MARK	REMARKS	WEIGHT	
1	1	B4703		BEAM				BEV-2		
			1	HSS152X152X6.4	350W	5188	B4703		317	
			1	PL12.7X200	300W	271	p145		12	
TOTAL WEIGHT THIS DRAWING									329	



**ONE - BEAM - B4703**