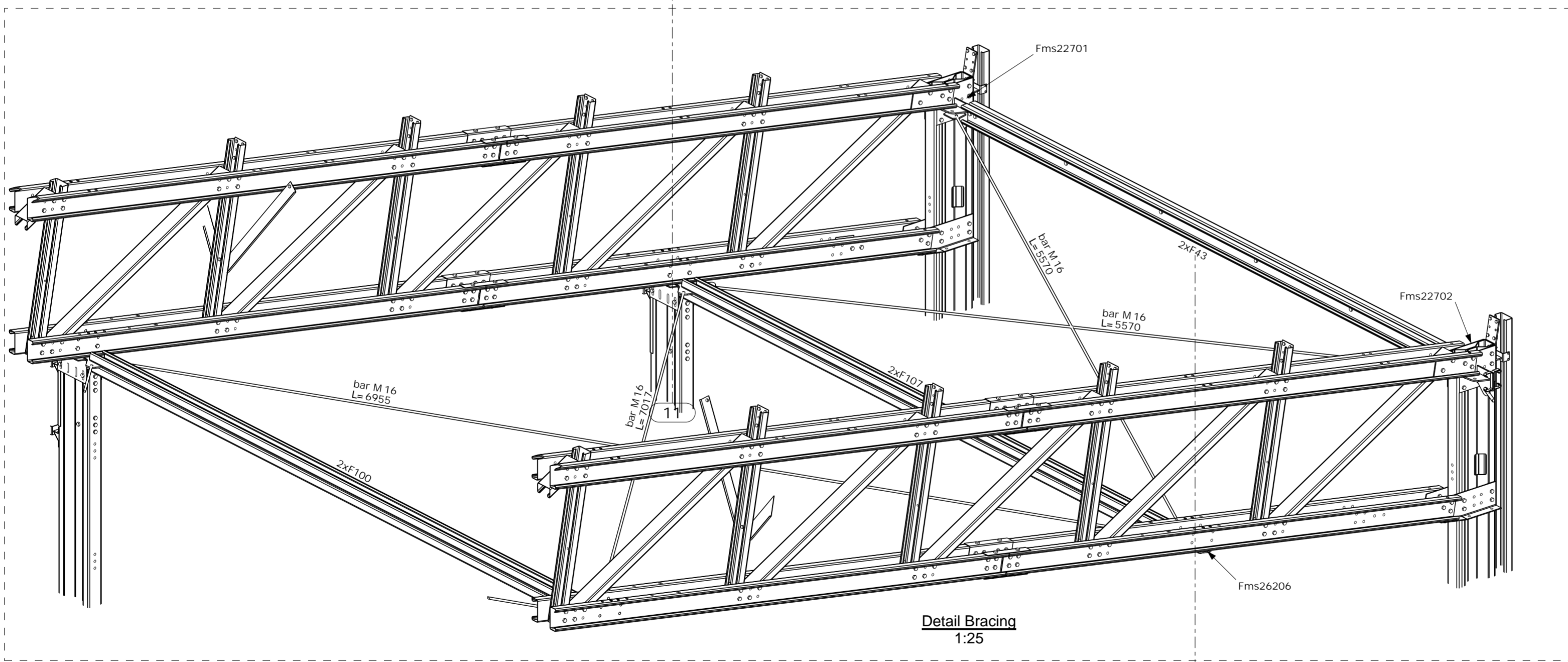
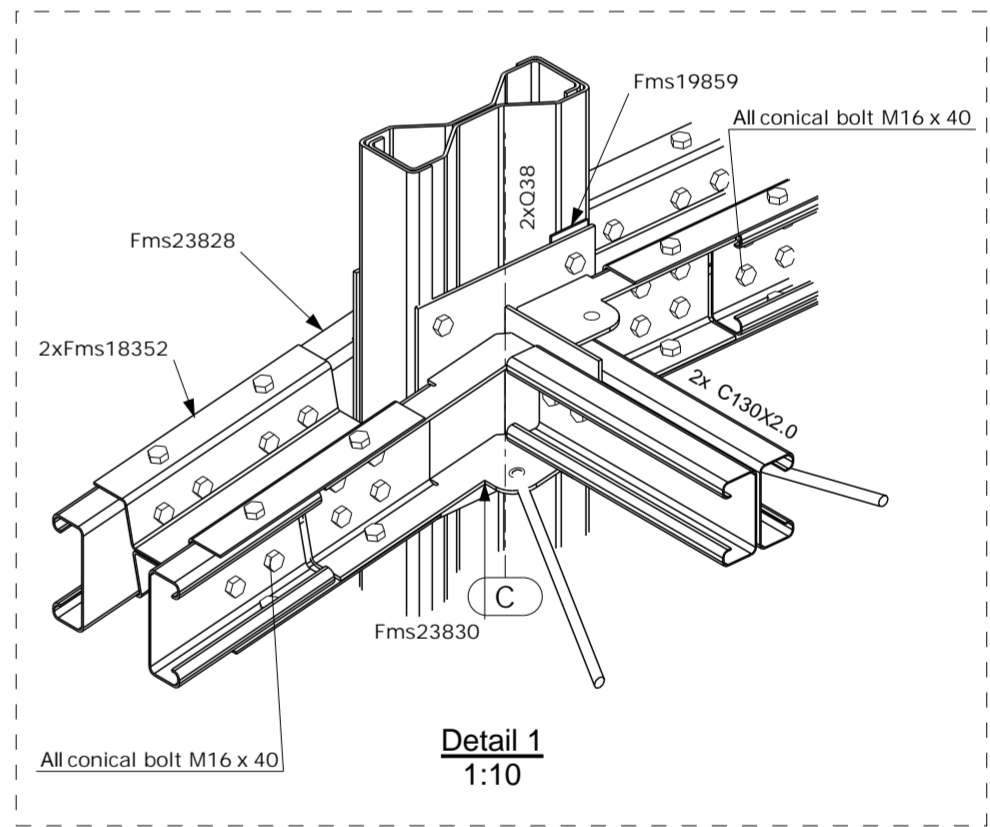


Wind bracing roof - Lower Chord
1:100

profiles		
1 x A16	S320X2.0	L = 7147.0
1 x A24	S320X3.0	L = 8028.0
2 x C27	C120X2.0	L = 8090.0
4 x E1	C160X1.7	L = 3875.5
1 x E2	C160X3.0	L = 7191.0
1 x E3	C160X2.5	L = 7748.0
1 x E4	C160X2.5	L = 7748.0
4 x E5	C160X1.7	L = 8990.0
4 x E6	C160X2.0	L = 8990.0
1 x E11	C160X3.0	L = 7191.0
4 x E45	C160X2.0	L = 3878.0
2 x E53	C160X2.5	L = 8273.0
2 x F23	C130X3.0	L = 293.0
2 x F25	C130X2.5	L = 1791.0
2 x F26	C130X1.5	L = 1358.0
2 x F27	C130X2.0	L = 1786.0
8 x F28	C130X1.2	L = 1358.0
2 x F29	C130X1.7	L = 1786.0
6 x F30	C130X1.2	L = 1786.0
2 x F36	C130X1.5	L = 1506.5
1 x F38	C130X2.0	L = 1865.0
4 x F43	C130X3.0	L = 5084.5
4 x F85	C130X2.0	L = 5812.5
4 x F86	C130X2.0	L = 5512.5
4 x F87	C130X2.0	L = 5594.0
4 x F88	C130X2.0	L = 5294.0
4 x F96	C130X2.0	L = 5094.0
4 x F97	C130X2.0	L = 4794.0
2 x F98	C130X2.0	L = 4734.0
2 x F99	C130X2.0	L = 4434.0
12 x F100	C130X2.0	L = 5187.0
4 x F101	C130X2.0	L = 5232.0
4 x F102	C130X3.0	L = 5187.0
2 x F104	C130X3.0	L = 5234.0
4 x F105	C130X3.0	L = 5584.5
2 x F106	C130X3.0	L = 5734.0
4 x F107	C130X2.0	L = 5140.0
4 x Q21	SA320X4.5	L = 7986.5
1 x Q35	SA320X2.0	L = 500.0
1 x Q36	SA320X3.0	L = 500.0
2 x Q38	SA320X5.0(S***L	L = 11573.0



Detail Bracing
1:25



Detail 1
1:10

FRISOMAT
Innovators in steel buildings

Frisomat Nord
17, Rue Paul Langevin
F-93270 SEVRAN
tel: +33 1 48 67 53 53
fax: +33 1 48 65 24 48
e-mail: infoparis@frisomat.fr

client:	Champagne Bernard Bijotat	FRISOHALL FC_TR_10°
	<address of site>	width: 50.00 m
		height: 7.80 m
		length: 156.00 m
		type: 500/78
		project: ax2200913
		order: FR1 056-22
scale: 1:10, 1:25, 1:100	date: 20.12.2022	Wind bracing - Lower chord***