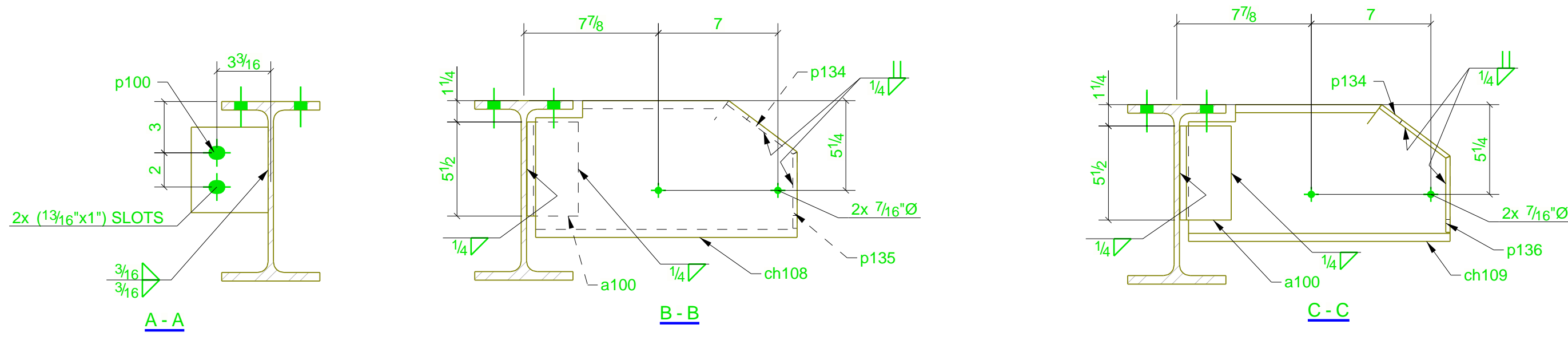
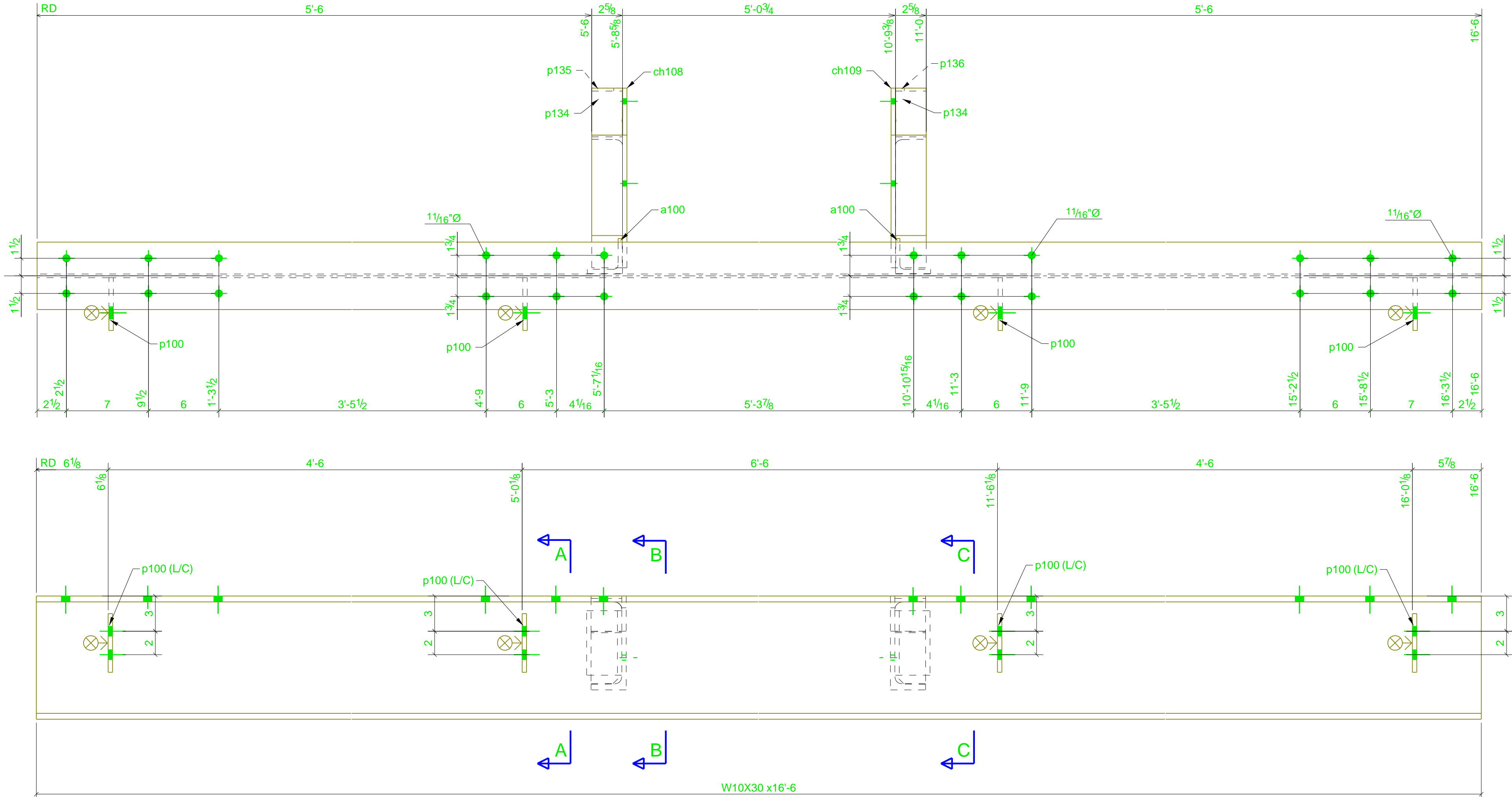


PARTS IN ASSEMBLY							
ASSEMBLY: B100						QTY: 1	
						Length. (ft in): 16'-6"	
PART MARK	SIZE	GRADE	N° Per Ass.	N° TOTAL	Length (ft in)	Area (ft²)	Weight (lb)
B100	W10X30	A992	1	1	16'-6"	59.8	496.4
a100	L3X3X3/8	A36	2	2	0'-5 1/2"	1.0	6.6
ch108	MCB8X18.7	A36	1	1	1'-3 5/16"	2.6	23.9
ch109	MCB8X18.7	A36	1	1	1'-3 5/16"	2.6	23.9
p100	FL3/8"X4 1/2"	A36	4	4	0'-5"	1.4	9.6
p134	PL1/4"X2 5/8"	A36	2	2	0'-5"	0.4	1.8
p135	PL1/4"X2 5/8"	A36	1	1	0'-4 7/16"	0.2	0.8
p136	PL1/4"X2 5/8"	A36	1	1	0'-4 7/16"	0.2	0.8
Total per Assembly						68.1	563.7
Total						68.1	563.7

SHOP NOTE:  
 1. ALL MATERIALS THIS SHEET TO BE HOT-DIPPED GALVANIZED AFTER FABRICATION IN ACCORDANCE WITH APPLICABLE PROVISIONS OF ASTM A123, A143, A384, AND A385.  
 2. VENT FOR HDG AS REQ'D. PLUG VENT HOLES AFTER HDG



1 REQUIRED AS DRAWN MARKED B100  
 PHASE: 1 - (1) REQ'D

**FOR FABRICATION**

REV	BY	DATE	REMARKS	SCALE	JOB NO.	DWG NO.	REV	GENERAL NOTES	PROJECT
0	A.L.	10.11.2022	RELEASED FOR FABRICATION	NTS	123223	B100	[0]	RE-ENTRY CUTS = 1/2" RADIUS U.N.O. ALL WELDS 1/4" UNO ALL HOLES 13/16 DIAM UNO STEEL GRADE A992 TOTAL WEIGHT 563.7 lbs	30 FT LHD STAND
A	A.L.	09.20.2022	RELEASED FOR APPROVAL						SITE GROTON, CT

**MARRICK**  
 1215 SAINT JULIAN AVE.  
 NORFOLK, VA 23504

PHONE NO. 757-275-7962 FAX NO. 757-257-5421

DRAWN: A.L. 09/20/2022  
 CHECKED: JDB 10.11.2022

CLIENT: NAVY PORT OPS EAST COAST

Tabelle Structures