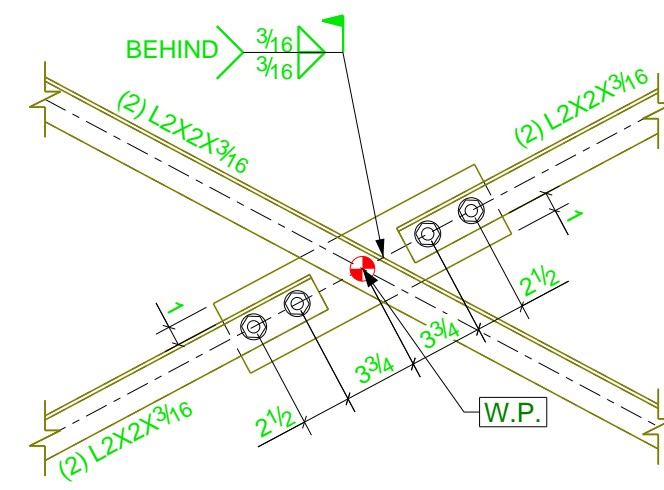
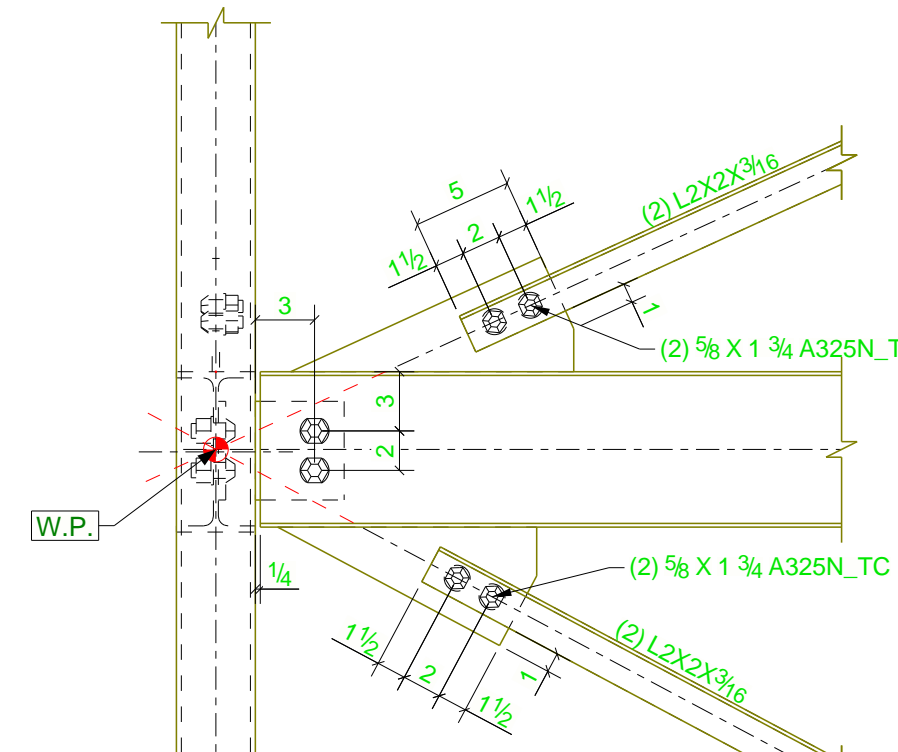


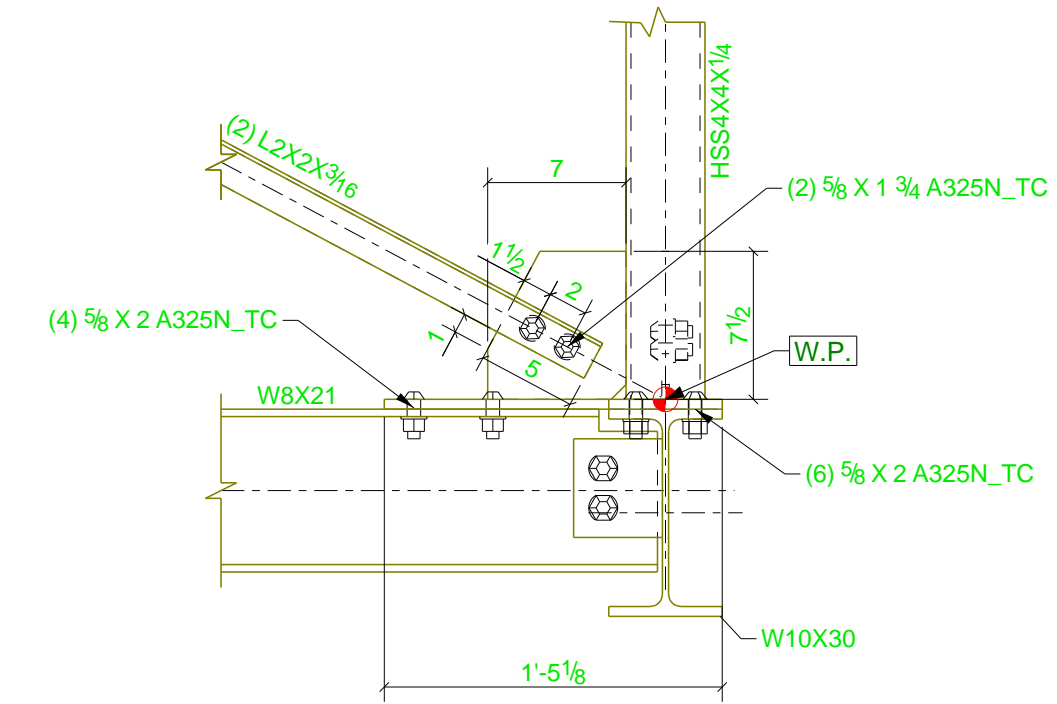
1 DETAIL
E105 REF: E103



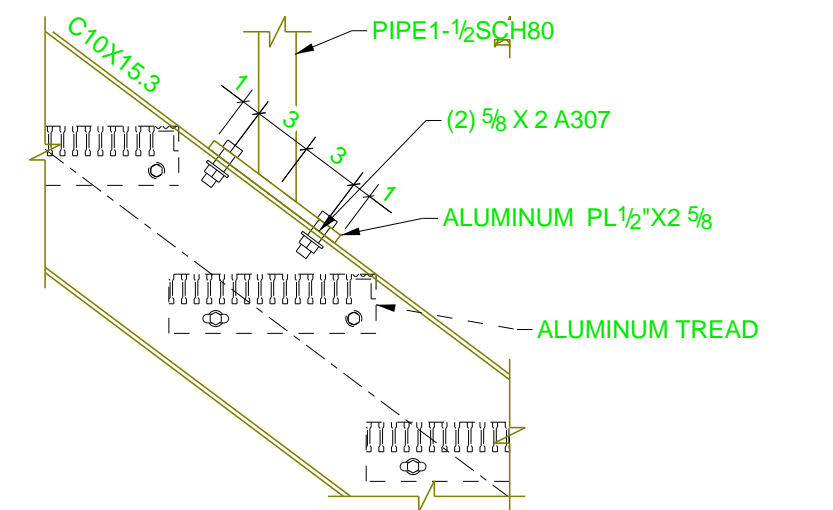
2 DETAIL
E105 REF: E103



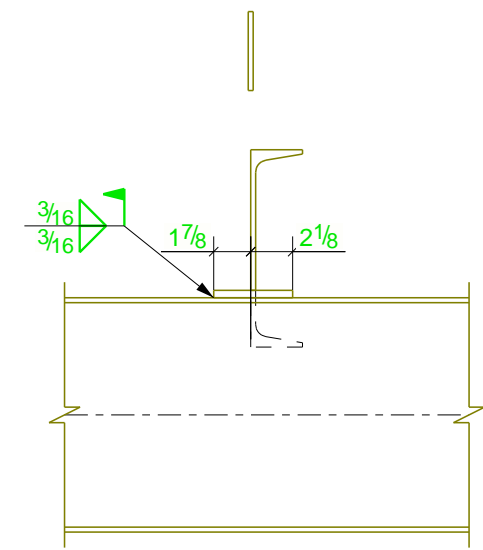
3 DETAIL
E105 REF: E103



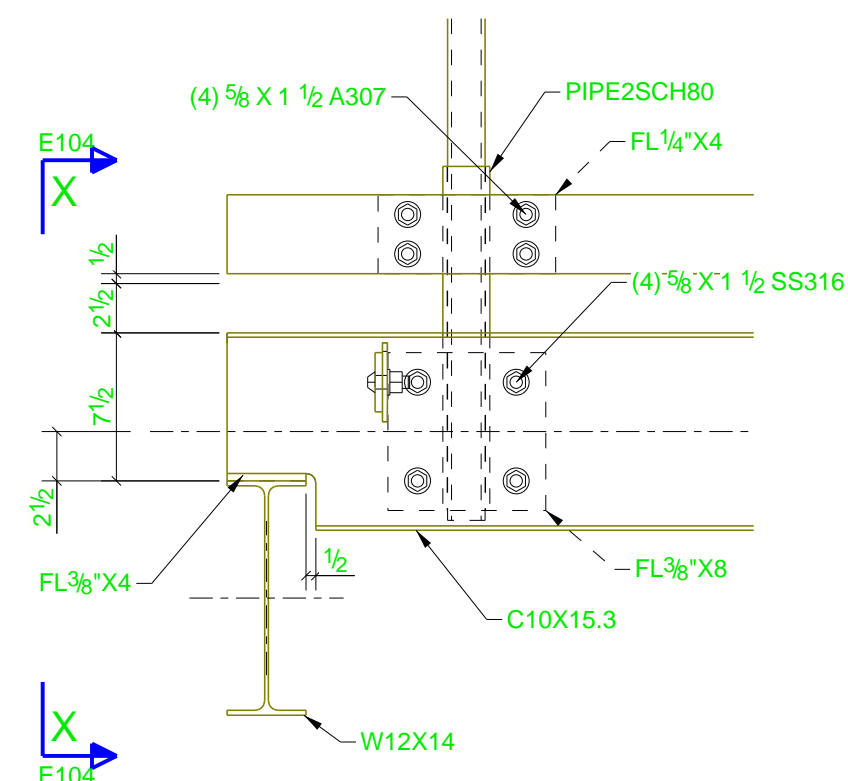
4 DETAIL
E105 REF: E104



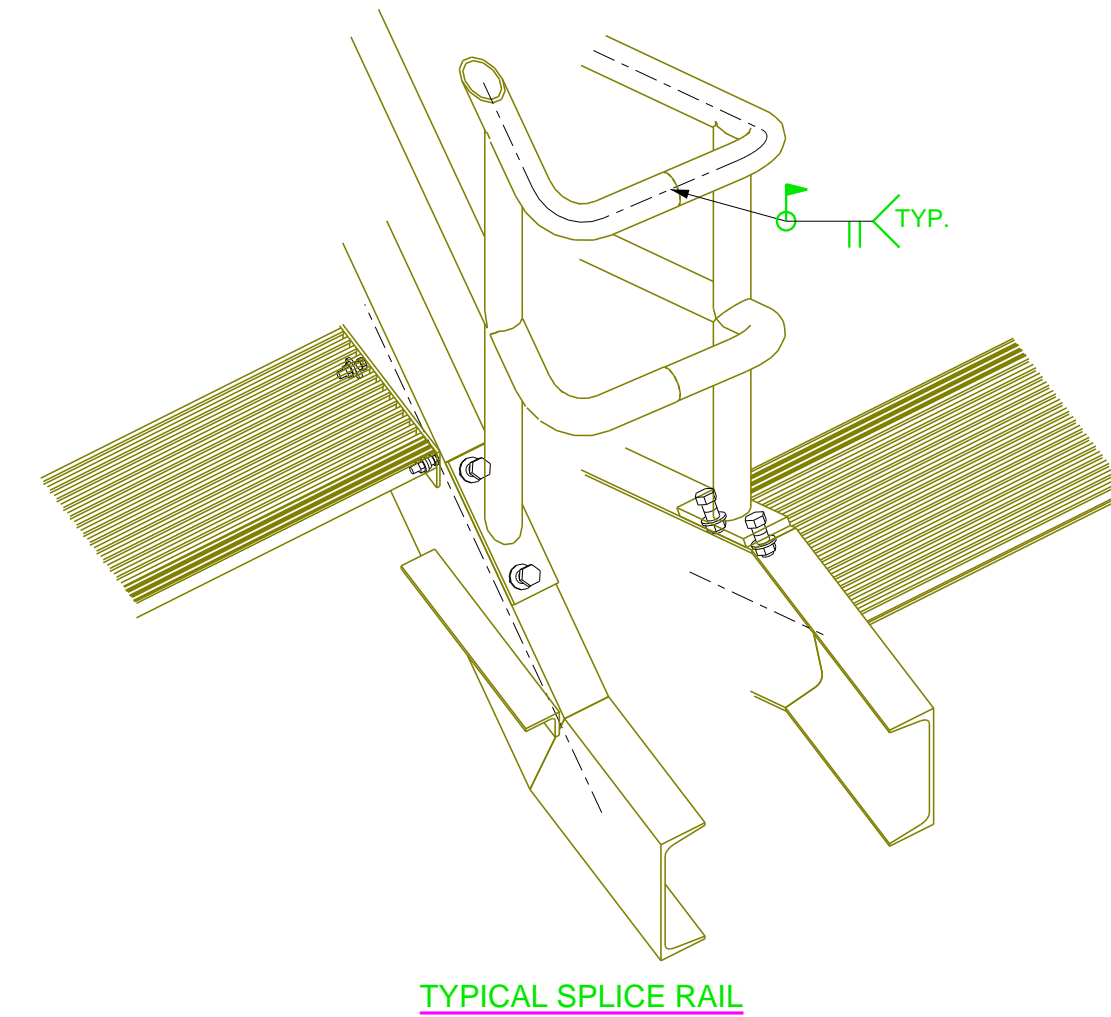
5 DETAIL
E105 REF: E104



X SECTION
E105



6 DETAIL
E105 REF: E100



TYPICAL SPLICE RAIL

FOR FIELD & FILE

REV	BY	DATE	REMARKS
0	A.L.	10.11.2022	RELEASED FOR CONSTRUCTION
A	A.L.	09.20.2022	RELEASED FOR APPROVAL

MARRICK 1215 SAINT JULIAN AVE. NORFOLK, VA 23504			
PHONE NO. 757-275-7962	JOB NO. 123223	DWG NO. E105	REV [0]
FAX NO. 757-267-5421	SCALE NTS		

DRAWN A.L. 09.20.2022	CLIENT NAVY PORT OPS EAST COAST
CHECKED JDB 10.11.2022	PROJECT 30 FT LHD STAND
PH: 757-238-8704	SITE GROTON, CT

