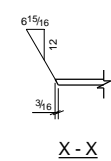
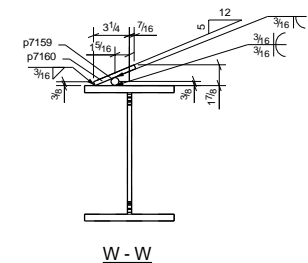
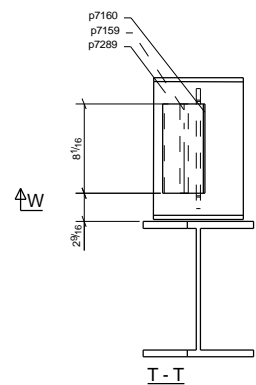
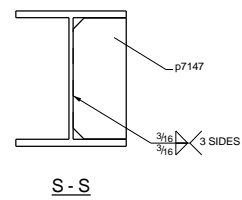
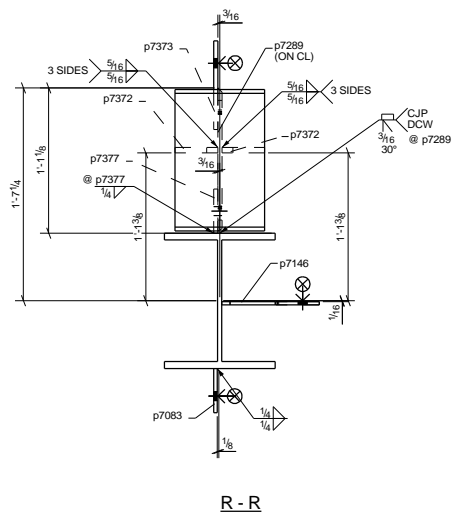
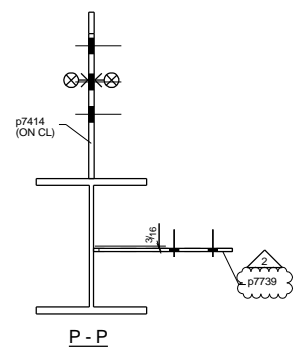
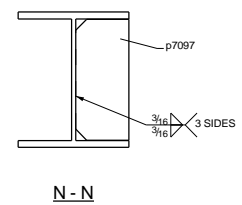
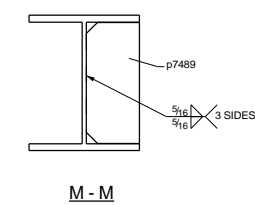
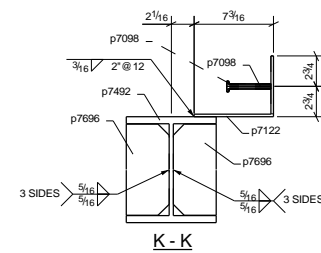
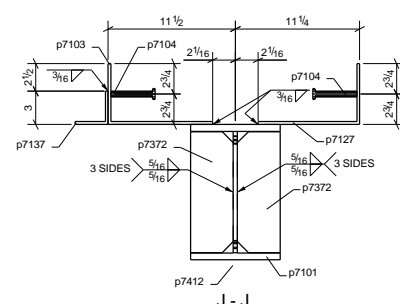
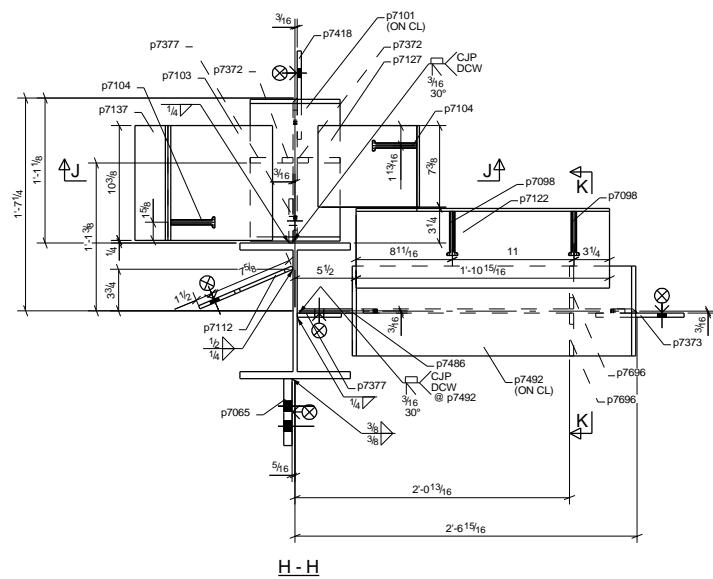
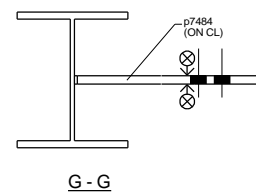
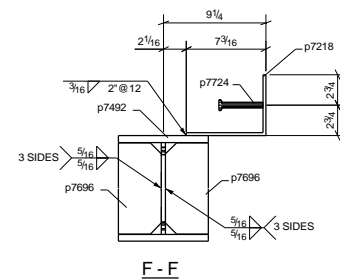
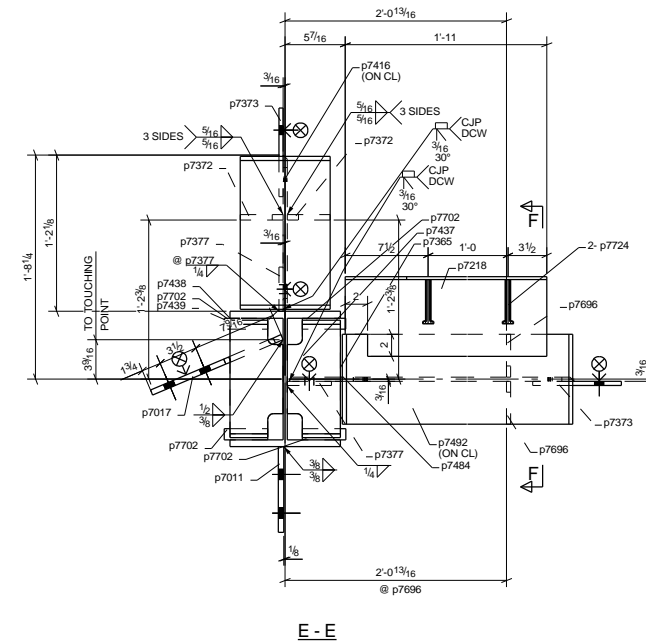
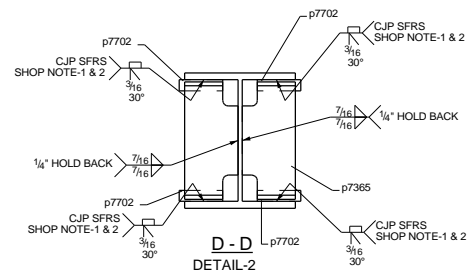
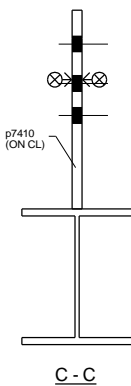
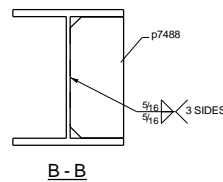
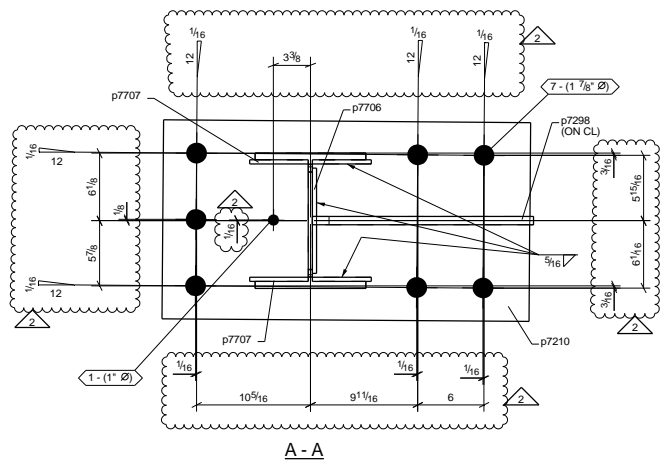


MARK	QTY	T.O.S	GRID REF	ZONE	REF.
7131	1	7254-3'3/4	B1/B0	7	E70



1 BRB COLUMN MARK: 7131

Profile	d	b	t	w	k
W12x58	12 1/4"	10"	5/8"	3/8"	1 1/2"

WORK THIS DWG WITH -7131

PAINT TYPE

NO PAINT

SP-3

SP-3

03/11/2024	BASE PLATE REVISE PER BUILT UP DIM (RE-IFF)
10/16/2023	RE-IFF, DIMS ADDED
10/06/2023	RELEASED FOR FABRICATION
04/18/2023	ISSUED FOR APPROVAL

NO BACK CHARGES WILL BE ACCEPTED WITHOUT PRIOR AUTHORIZATION IN WRITING

NOTE:

MATERIAL:	A992 (U.N.O.)	SPC:	SP-3
BOLT:	A325 (U.N.O.)	WELD:	3/16" (U.N.O.)
HOLE SIZE:	13/16"	ELECTRODE:	E7018 OR E71T

ALLIED STEEL

Anatomic Steel Detailing

TEL: (604) 428-4431
FAX: (604) 429-1393
www.anatomicsteel.com

JOB NAME & LOCATION:	VP2 - YELLOWSTONE CLUB VILLAGE PHASE 2 - BLDG. 5 1 Yellowstone Club Trail, Big Sky, MT59716	ARCH:	Hart Howerton
ENGR:	DCI - Engineers	CONTR:	TBD

REF:	E703	CHECKED BY:	RHB	DATE:	04/17/2023	JOB NO:	2252
DRAWN BY:	RNP	DATE:	04/17/2023	DRWG. NO.:	7131-1		

