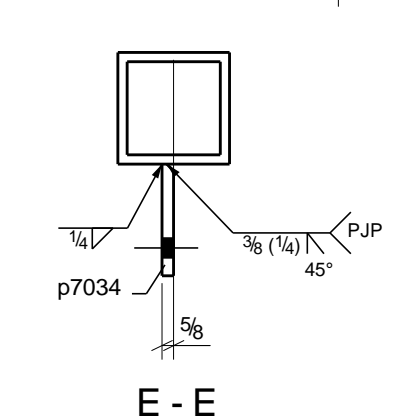
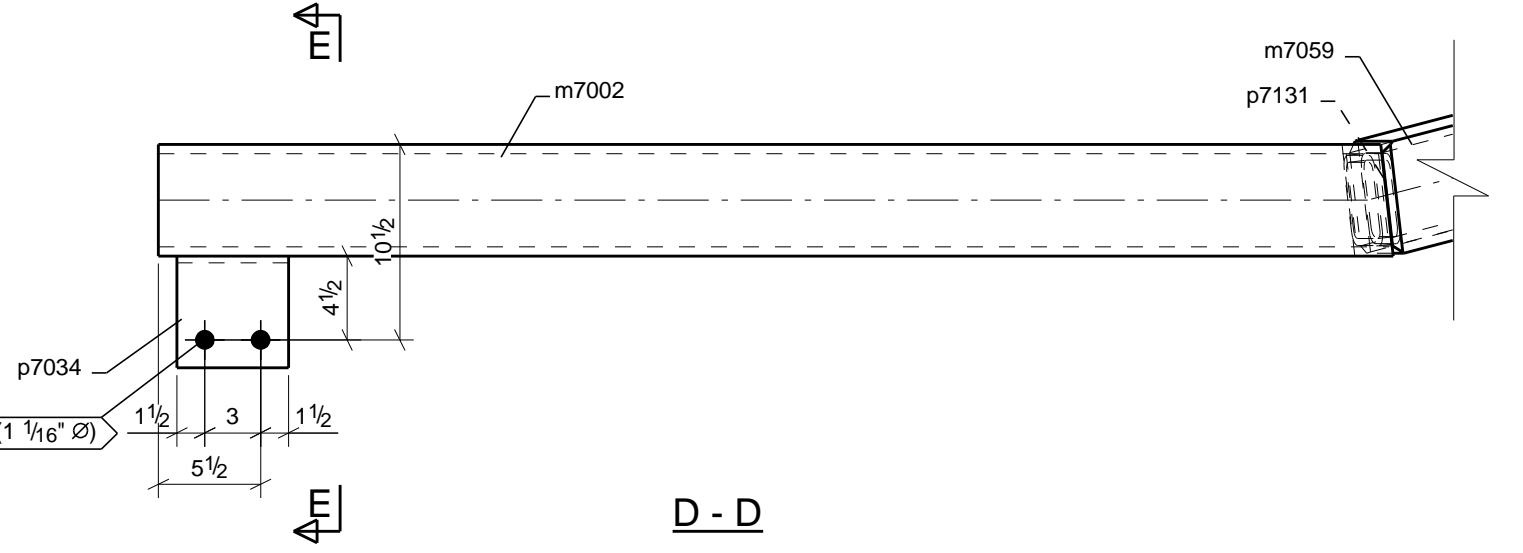
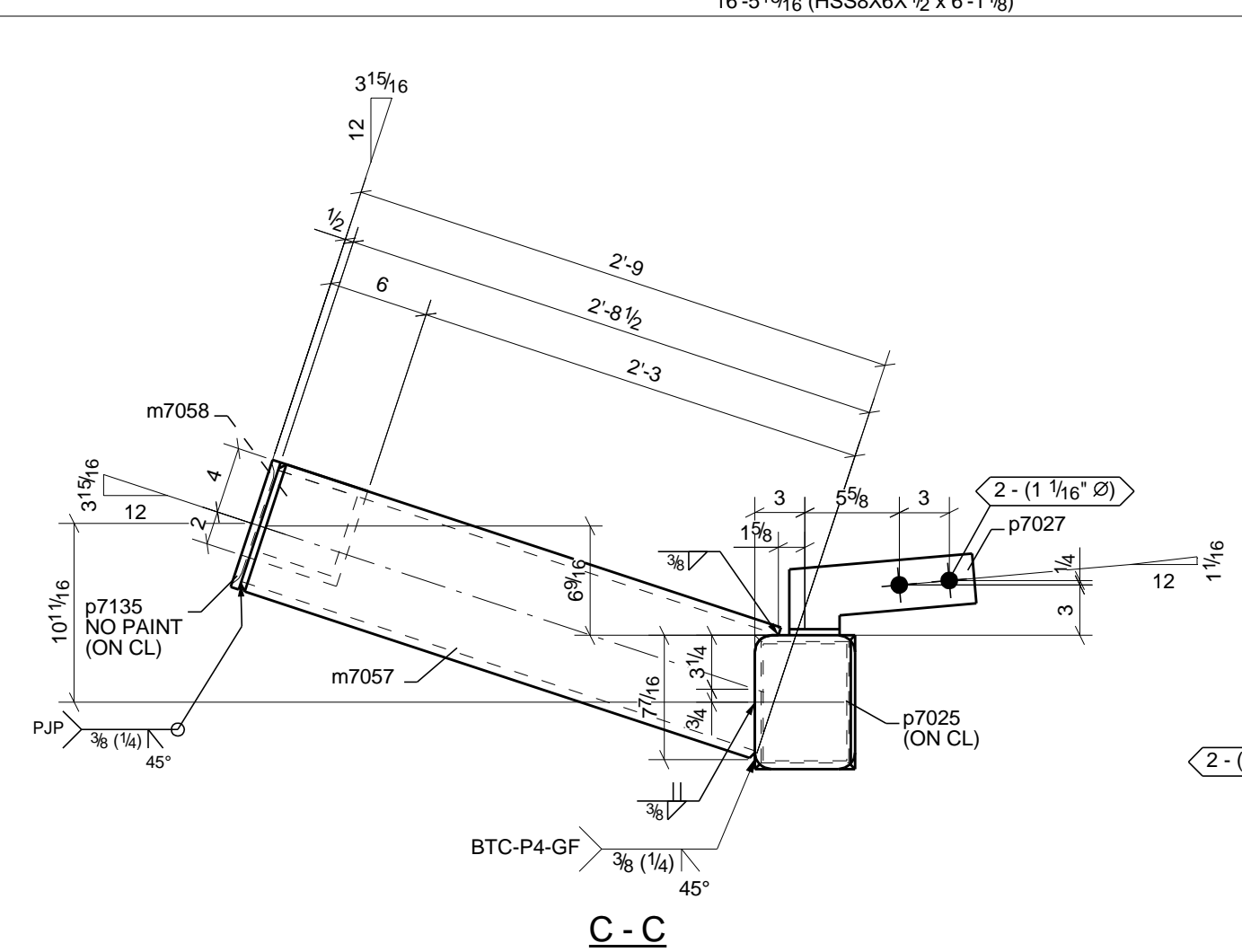
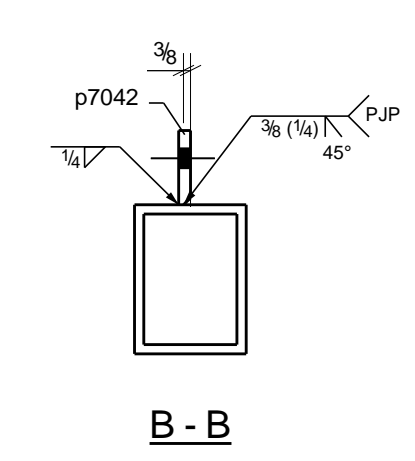
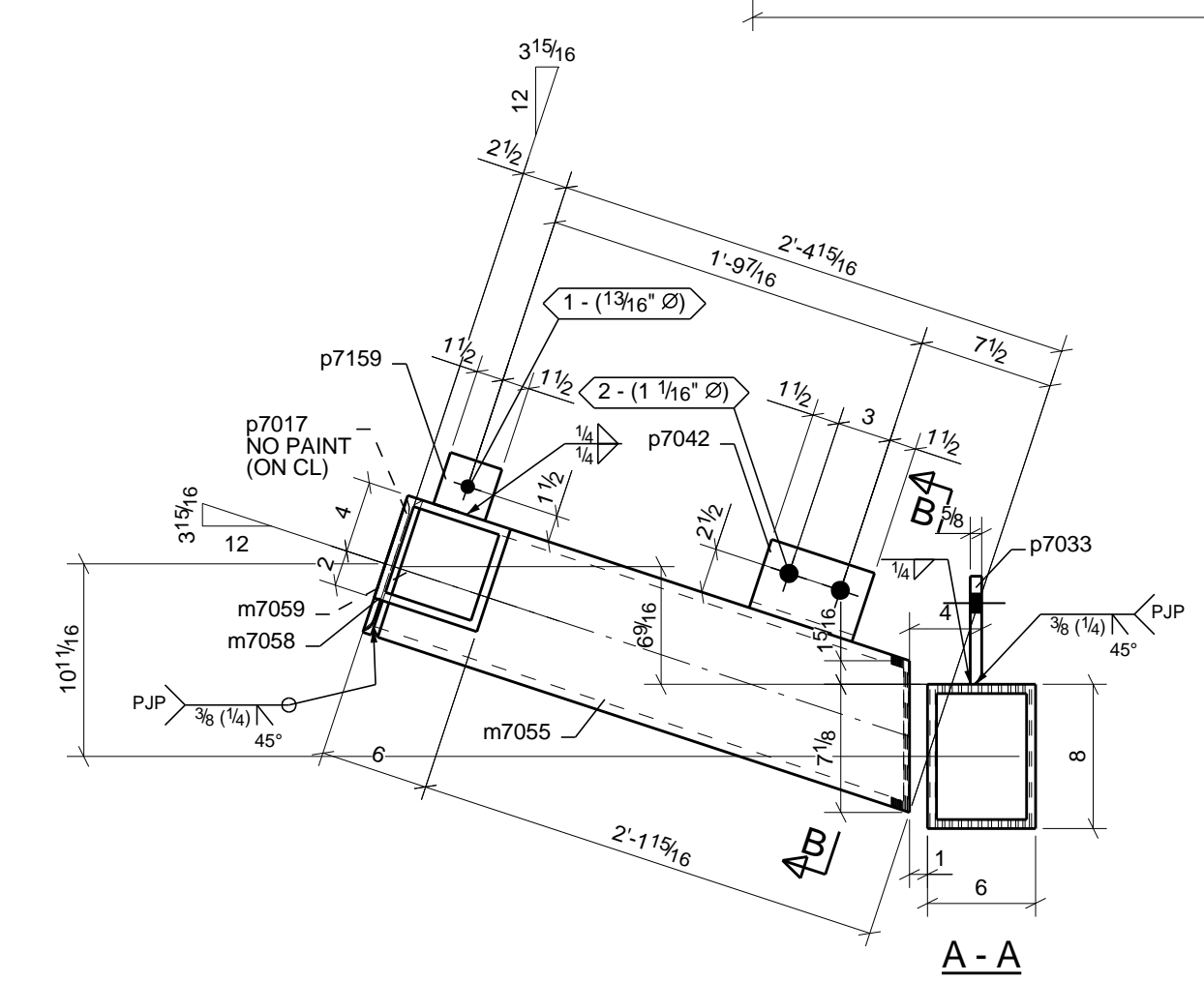
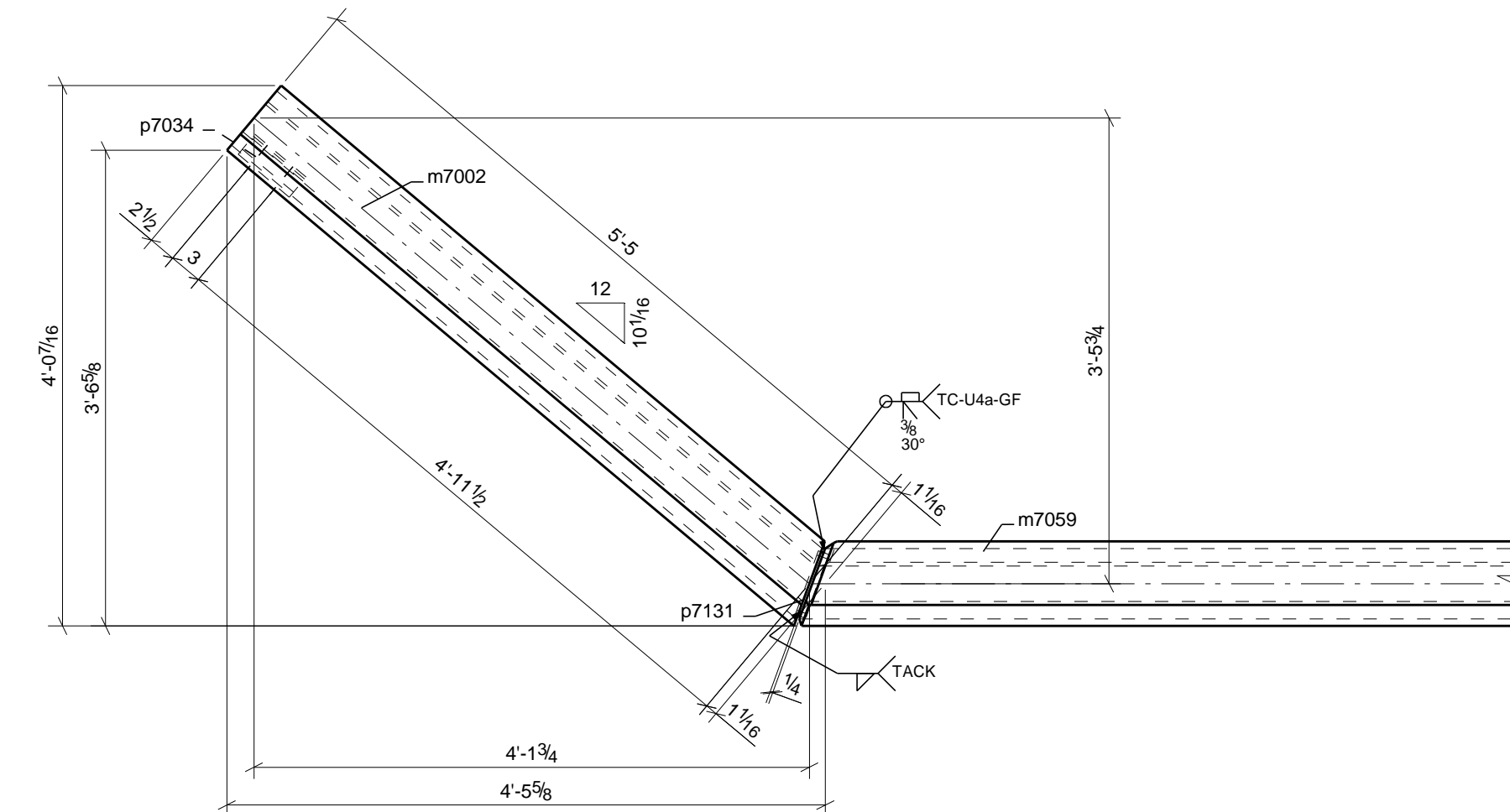
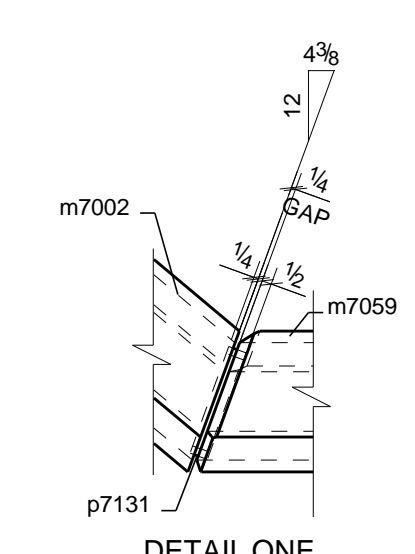
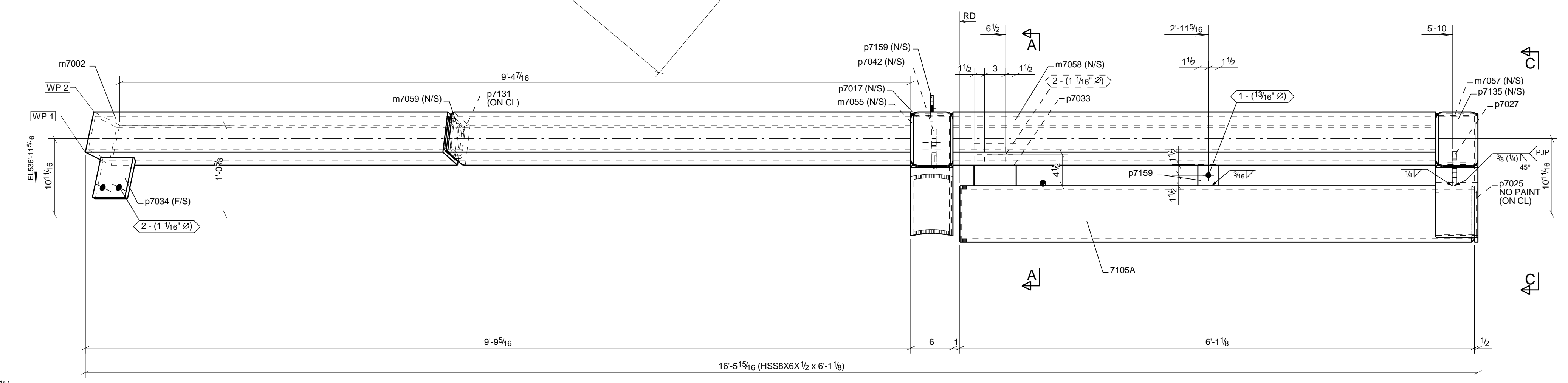
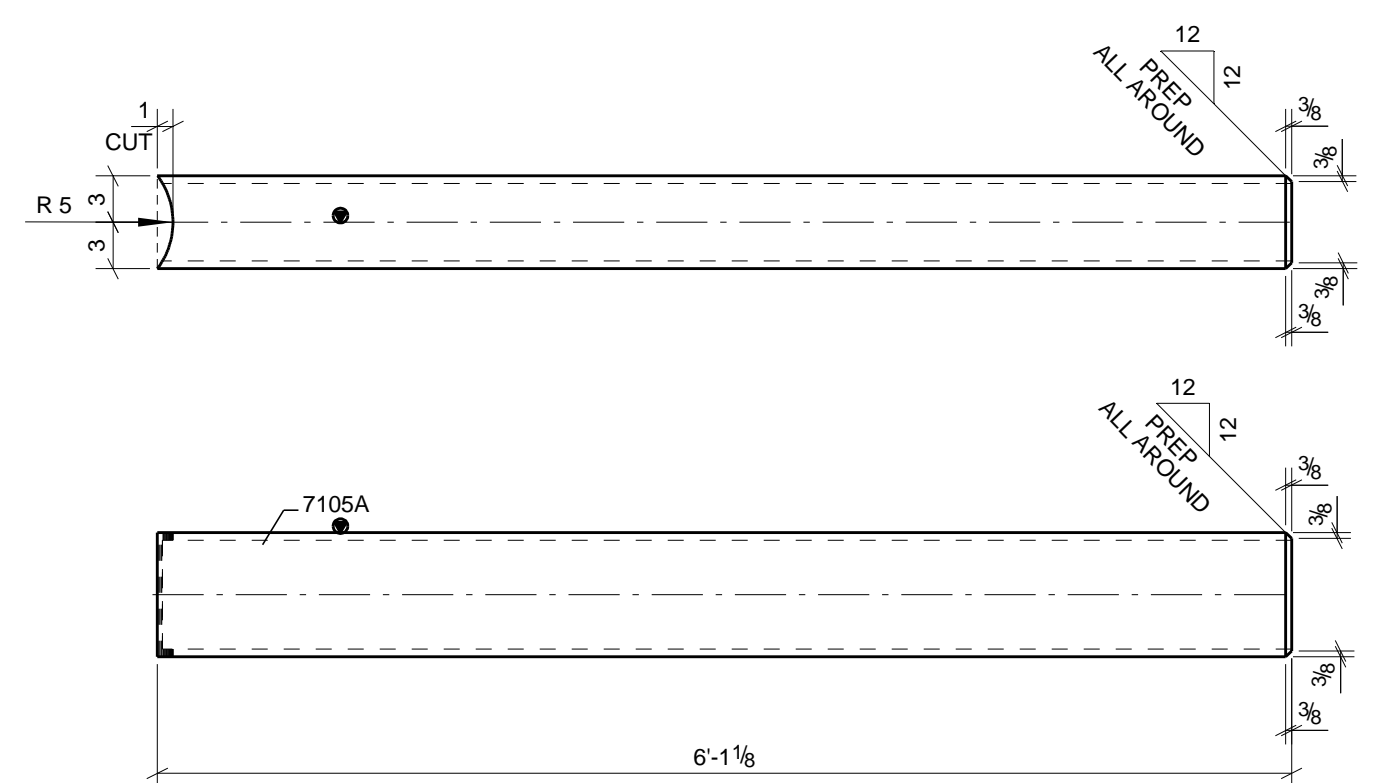
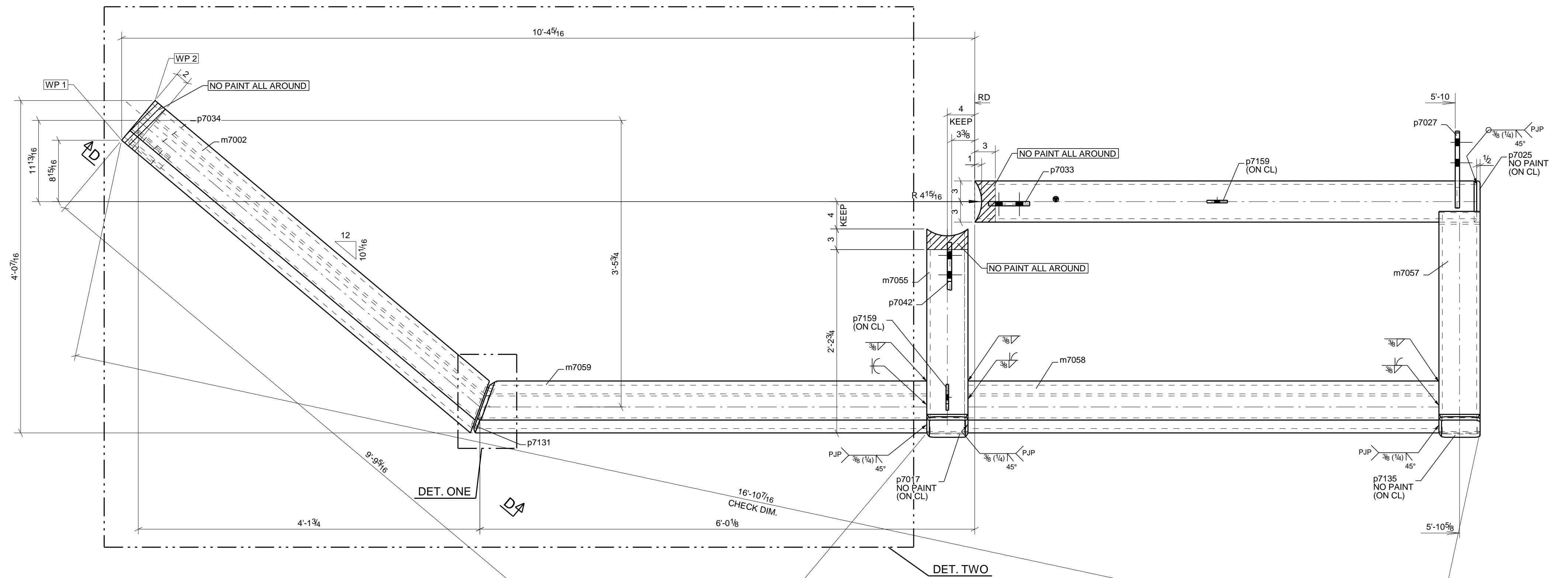


MARK	QTY	T.O.S	GRD REF	ZONE	REV
7105A	1	SR-115/16	11-0288	7	ETW2

BILL OF MATERIAL									
NO. REQD	SHIPPING MARK	ASSY MARK	DESCRIPTION	UNIT	GRADE	WEIGHT	REMARKS		
1	7105A								
1	7105A	m7002	4200-GR-C	4	1/8"	288			CSSE
1	m7002	m7002	4200-GR-C	5	1/8"	220			BC1E
1	m7055	m7055	4200-GR-C	2	7/16"	159			CSSE
1	m7057	m7057	4200-GR-C	2	1/8"	116			BC1E
1	m7058	m7058	4200-GR-C	5	1/8"	214			CSSE
1	m7059	m7059	4200-GR-C	5	F	201			BC1E
1	p7017	p7017	A572-GR-50	6	F	6			CSSE
1	p7025	p7025	A572-GR-50	7	F	7			CSSE
1	p7027	p7027	A36	6	1 1/2"	6			BC1E
1	p7033	p7033	A36	6	F	6			CSSE
1	p7034	p7034	A36	6	F	6			CSSE
1	p7042	p7042	A36	4	F	4			CSSE
1	p7131	p7131	A36	2	1 1/2"	2			BC1E
1	p7135	p7135	A572-GR-50	7	F	7			CSSE
2	p7159	p7159	A572-GR-50	2	F	2			CSSE
						TOTAL =	1157		

BOLT SUMMARY - QTY'S ARE FOR ONE ASSEMBLY ONLY				
ASSEMBLY NO.	REQD	DA	LENGTH	REMARKS
7105A	6	7	1 1/2"	304L STAINLESS



SHOP NOTE:
 ALL WELDS SHALL HAVE A FILLER METAL WITH CHARTY V-NOTCH TOUGHNESS OF 20 FT/LBS AVERAGE AT -20 DEGREES FAHRENHEIT AND 40 FT/LBS @ 70 DEGREES FAHRENHEIT. CERTIFY CONFORMANCE TO CHARTY V-NOTCH TOUGHNESS REQUIREMENTS WITH TESTS BY AN INDEPENDENT TESTING LABORATORY.

HOLE PATTERNS NOTED 'SLIP CRITICAL' CLASS AND CLASS B/C CLASS OF SHALL BE PREPARED TO SATISFY SC CONNECTIONS. THE CONTACT SURFACE (CONNECTION SIDE) SHALL BE UNCOATED WITHIN 3' OF THOSE HOLES. CONTACT SURFACE ARE TO BE FREE OF BURRS AND ALL FOREIGN MATERIAL. <<DENOTES FAYING SURFACES

JOB No.: J-5583

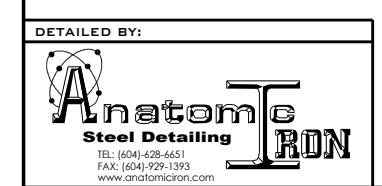
11/07/2025	ISSUED FOR FABRICATION
10/14/2025	RE-ISSUED FOR APPROVAL
08/25/2025	ISSUED FOR APPROVAL

PAINT: Pro Industrial Pro-Cut 806-1310 Seers Primer, SSPC-SP9
 HOLES: JUNIOR STEEL CO. MTL SPEC: REF. DRWG: 0193

JUNIOR STEEL CO.
 134 W. 168th St. Gardena, California 90248
 Phone: (310) 856-6868 Lic. No. 825032 Fax: (310) 856-6872

CONTRACTOR: ABBOT Construction
 PROJECT: UCLA Sunset
 LOCATION: 11 EASTON CIRCLE LOS ANGELES, CA90005

DESCRIPTION:	EREC'D	F.O.B.	SHEET	REV
	<input type="checkbox"/>	<input type="checkbox"/>	7105A	<input type="checkbox"/>



1 BEAM MARK: 7105A