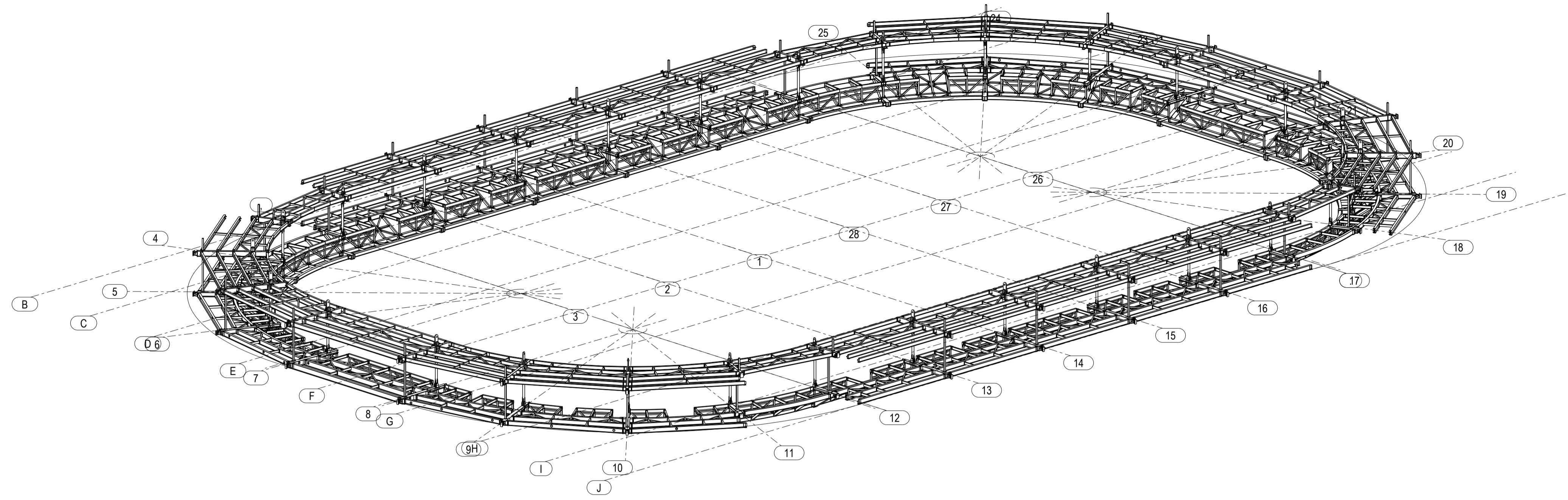
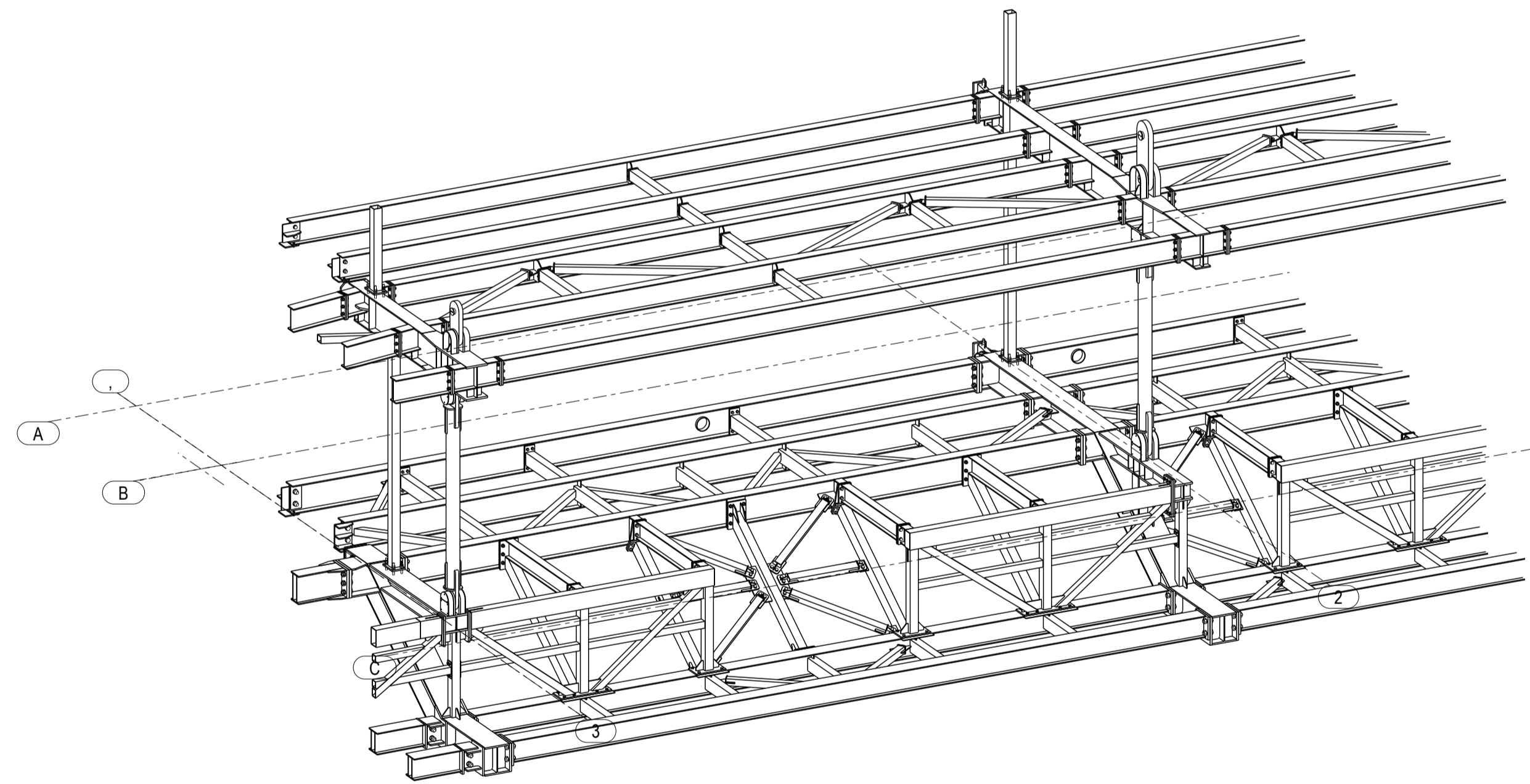


3D - VIEW



3D - VIEW



3D - VIEW

