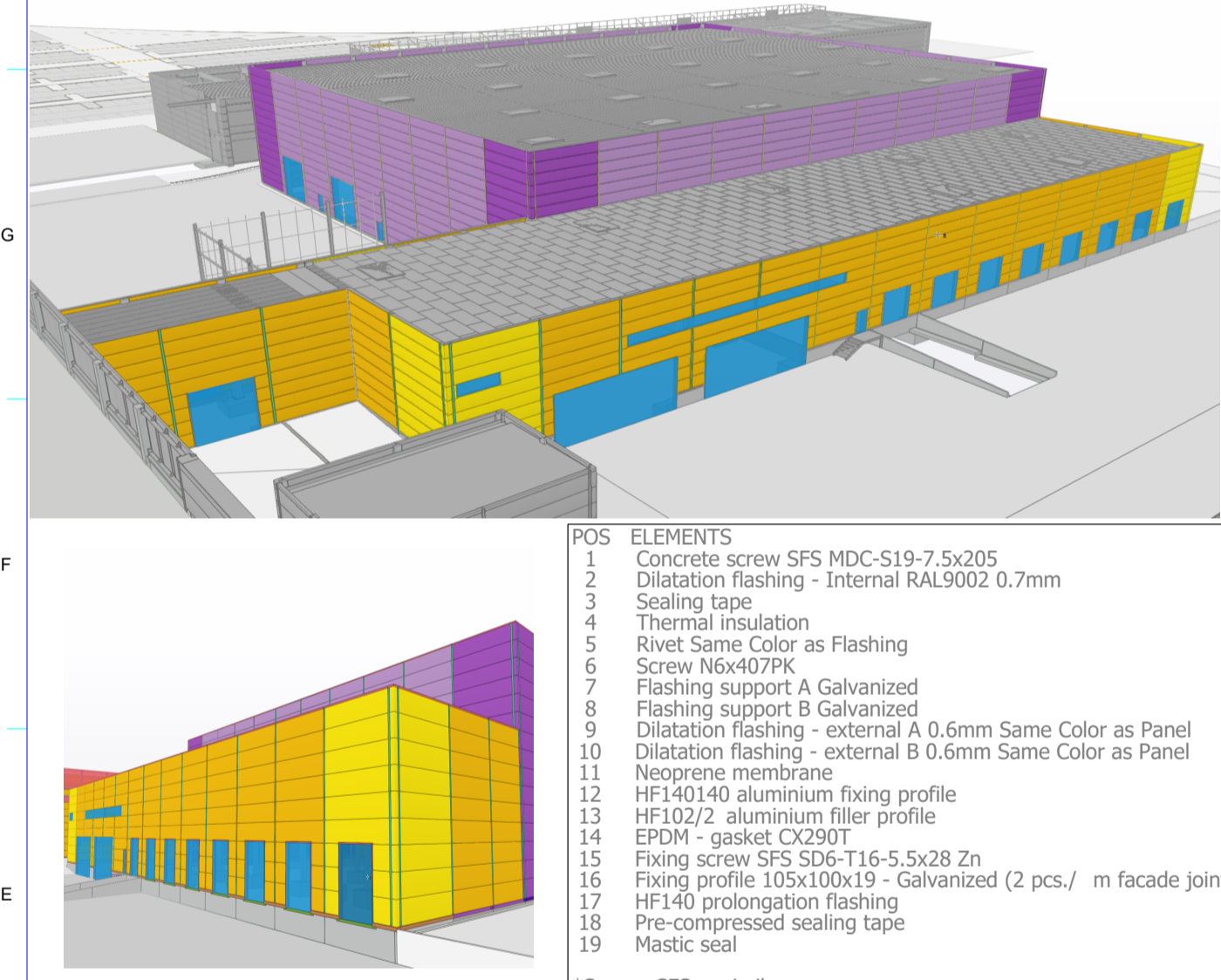
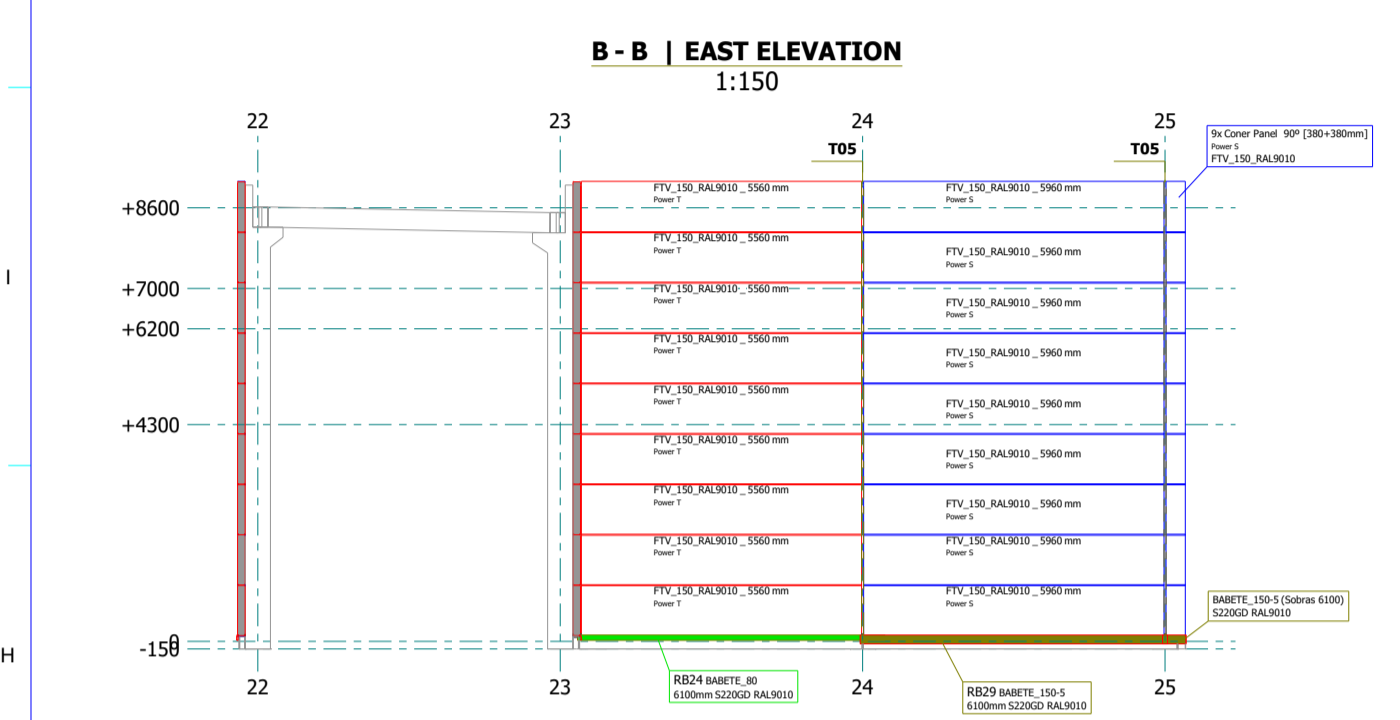


FAÇADA PANEL TYPE:

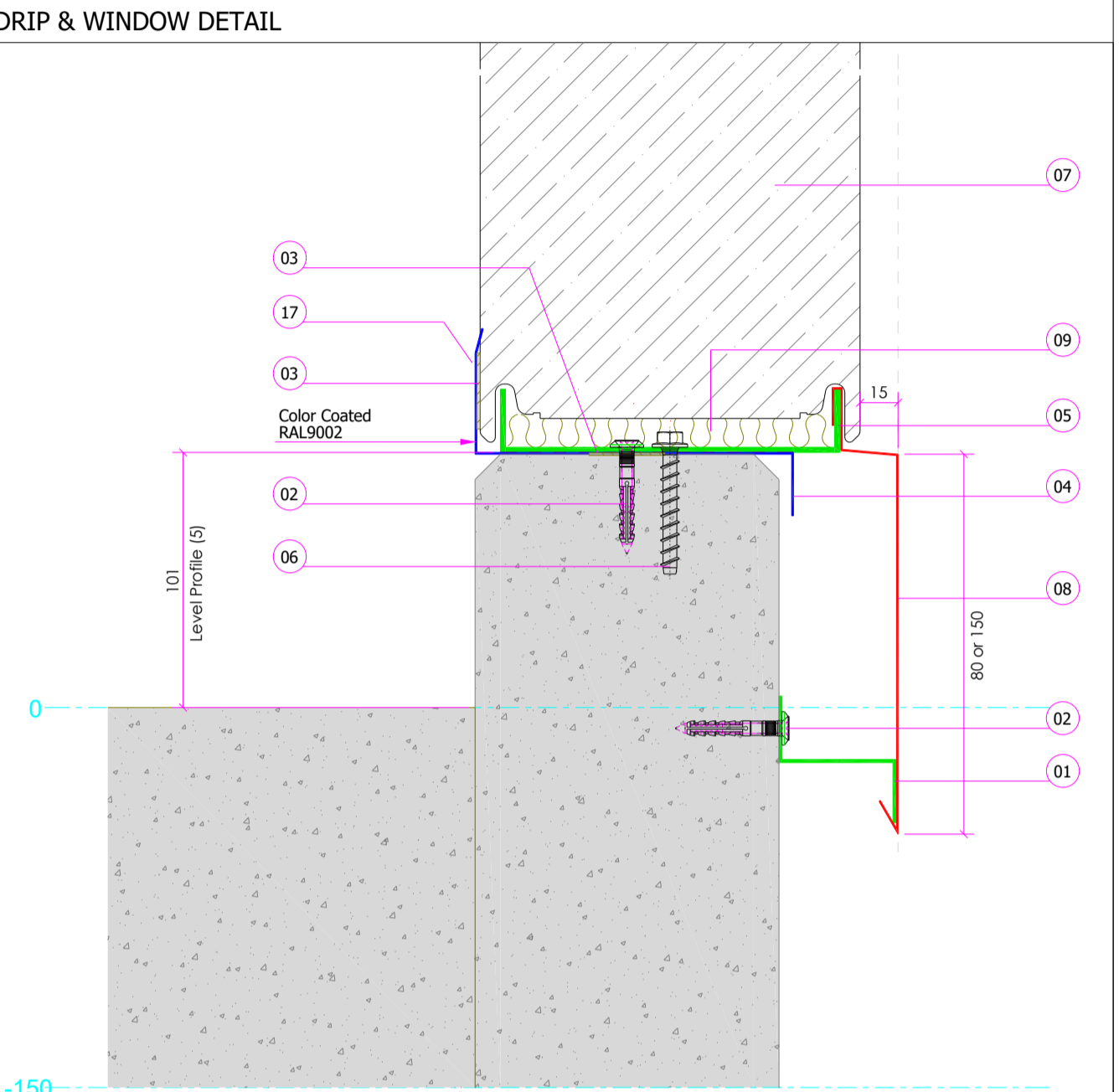
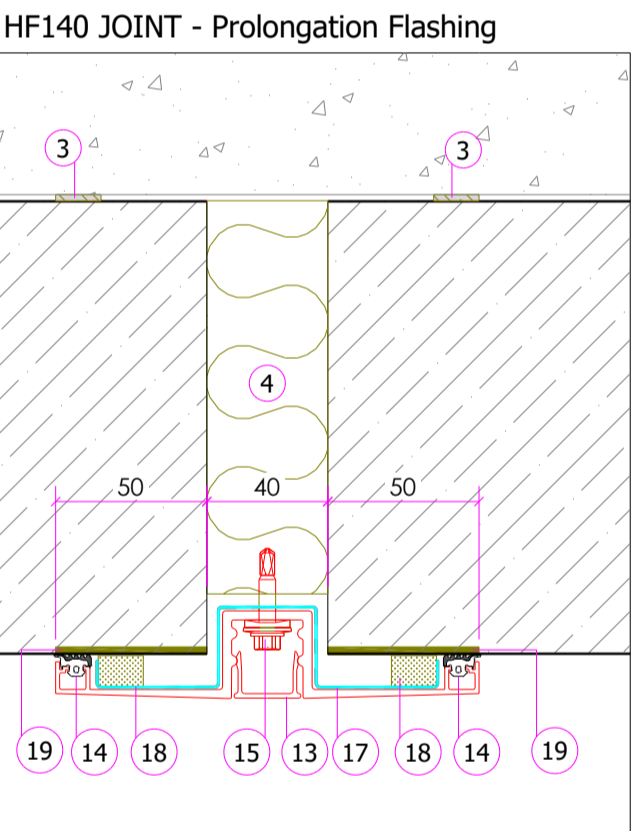
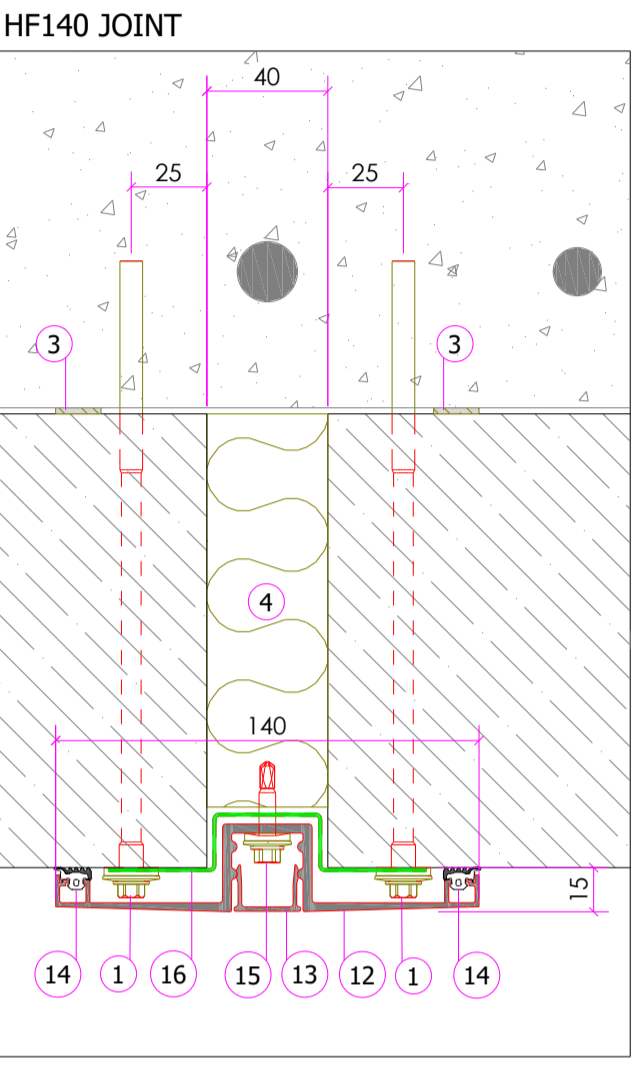
- Translucent Panel T FTV-550/1000 HS
0,60 mm PVDF 25 µm R9007 / 0,70 mm SP 25 µm R9002
- Translucent Panel S FTV-150/1000 HS
0,60 mm PVDF 25 µm R9007 / 0,70 mm SP 25 µm R9002
- Translucent Panel T FTV-550/1000 HS
0,60 mm PVDF 25 µm R9007 / 0,70 mm SP 25 µm R9002
- Translucent Panel S FTV-150/1000 HS
0,60 mm PVDF 25 µm R9007 / 0,70 mm SP 25 µm R9002



POS ELEMENTS

- Concrete screw SFS MDC-119-7.5x205
- Dilatation flashing - Internal RAL9002 0.7mm
- Sealing tape
- Thermal insulation
- Rivet Same Color as Flashing
- Screw N6x40/7PK
- Flashing support A Galvanized
- Flashing support B Galvanized
- Dilatation flashing - external A 0.6mm Same Color as Panel
- Dilatation flashing - external B 0.6mm Same Color as Panel
- Neoprene membrane
- HF140/140 aluminum fixing profile
- EPDM - gasket CX2901
- Fixing screw SFS SD6-T16-5.5x28 Zn
- Fixing profile 105x100x19 - Galvanized (2 pcs./ m facade joint)
- HF140 prolongation flashing
- Pre-compressed sealing tape
- Mastic seal

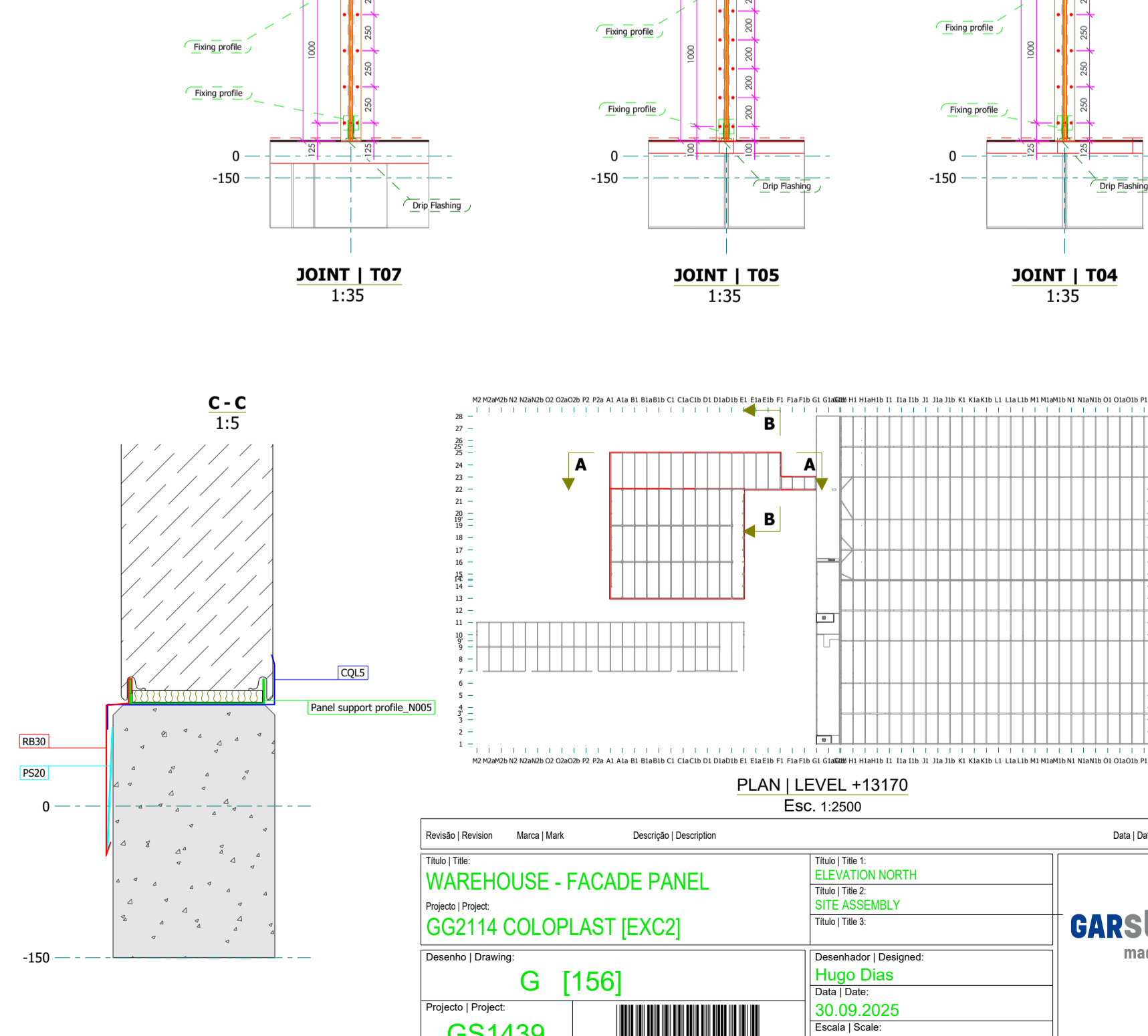
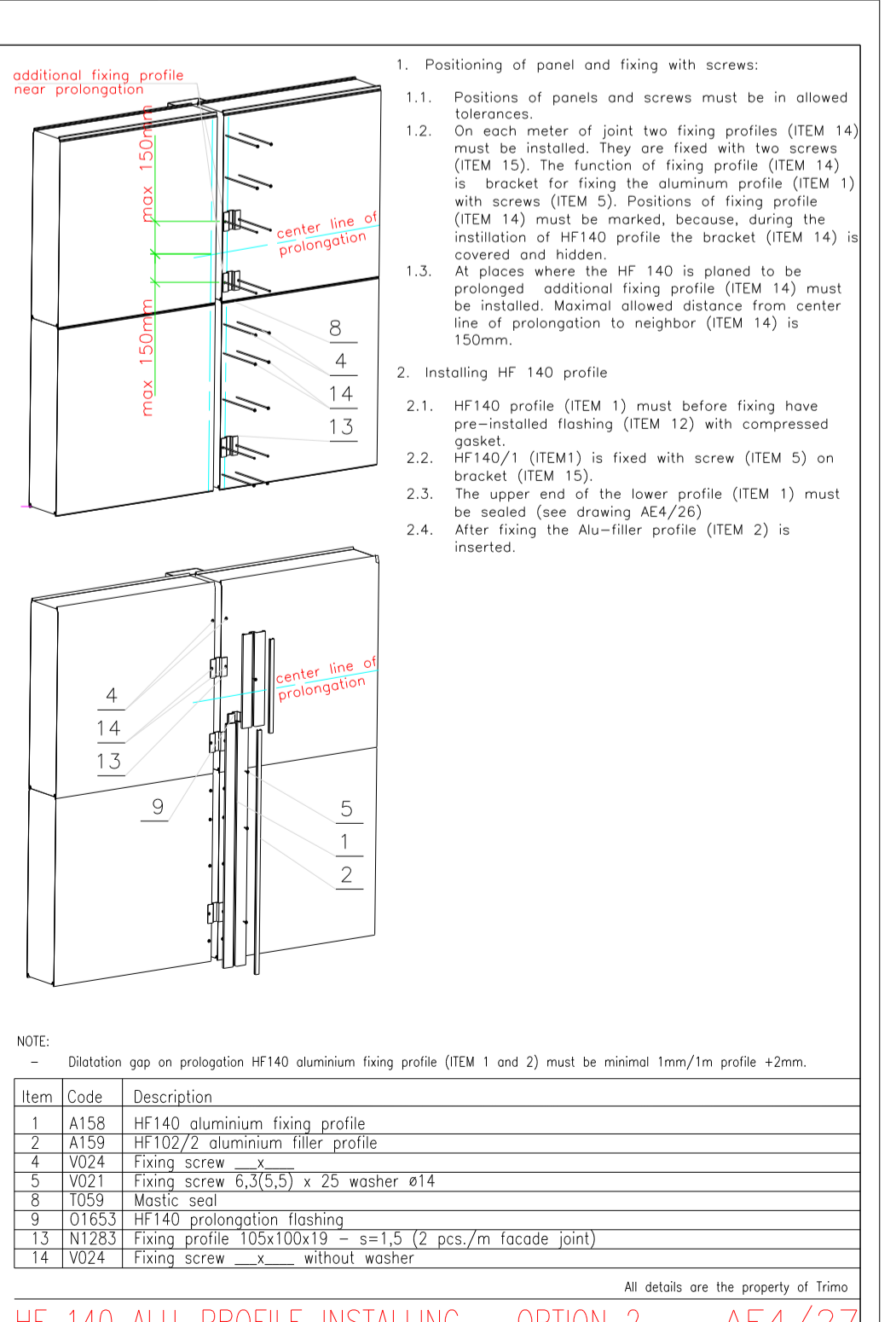
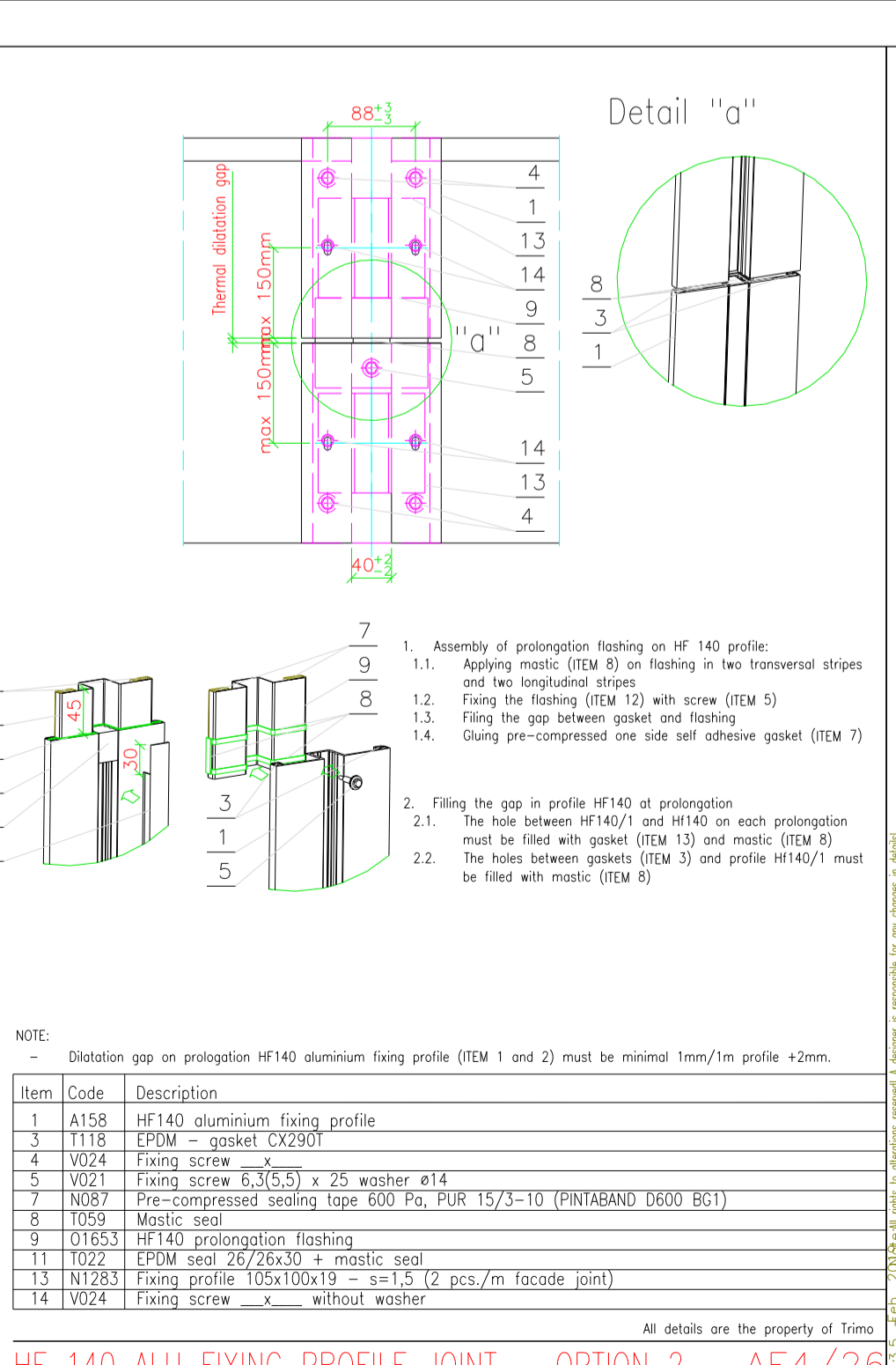
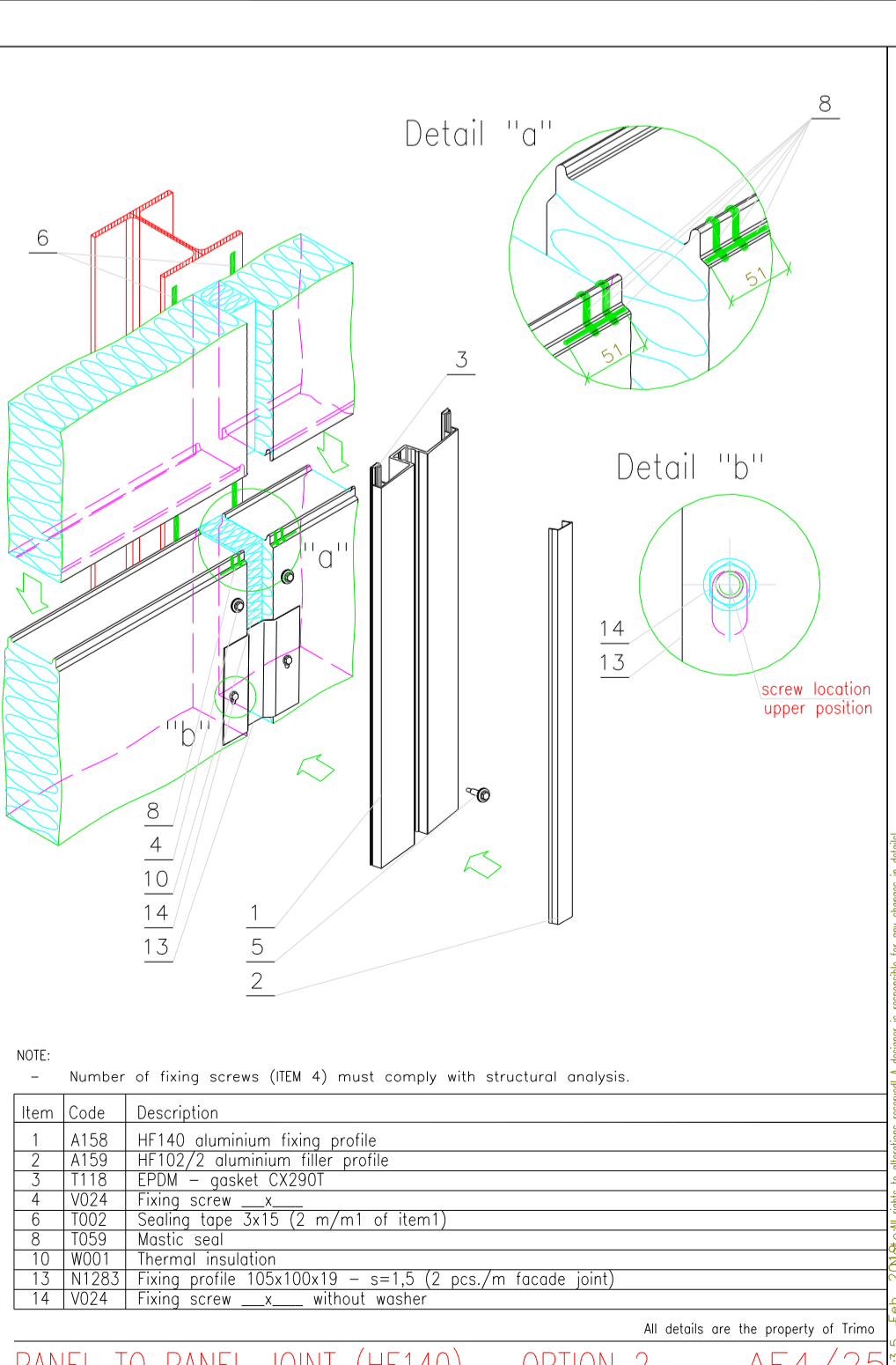
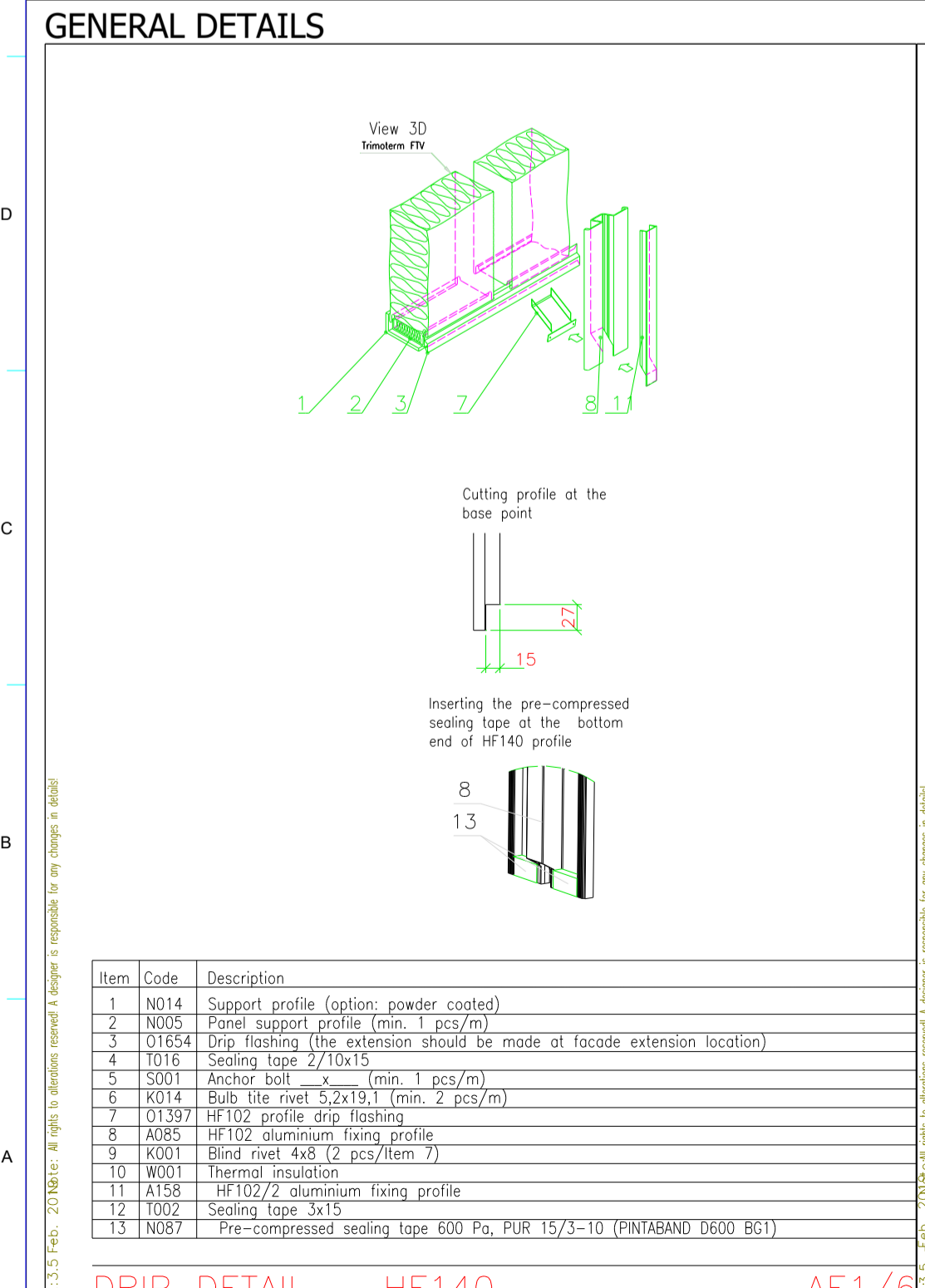
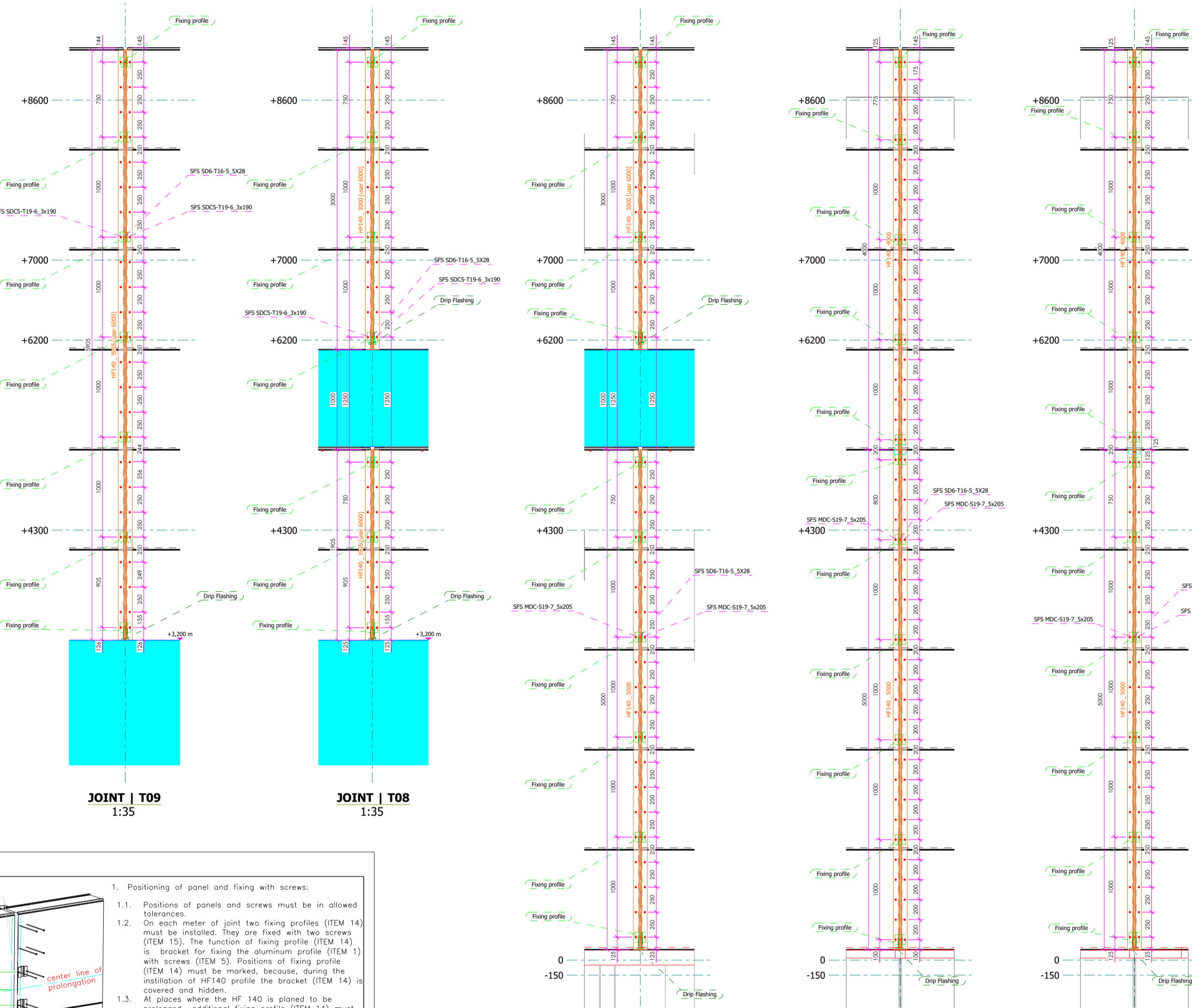
*Screws SFS or similar



POS ELEMENTS

- Drip flashing support Galvanized
- Screw N6x40/7PK (min. 2 pcs/ m)
- Sealing tape
- Interior flashing RAL9002 0.7mm
- Panel support profile N005 (min. 1 pcs/ m)
- Concrete Screw Anchor SFS MULTI-MONTI-PLUS-T-7.5X50 (min. 1 pcs/ m)
- Panel FTV150
- Thermal insulation
- Drip flashing 0.6mm Same Color as Panel
- Structural Support frame Galvanized or Colored
- Window Support Frame-Sill - Galvanized 2mm
- Window Support Frame-Head - Galvanized 2mm
- Flashing support Galvanized
- Fixing screw SFS SDCS-T19-6.3x190
- Drip flashing - sill 0.6mm Same Color as Panel
- Drip flashing - head 0.6mm Same Color as Panel
- Rivet Same Color as Flashing
- Window Support Frame-Jamb - Galvanized 2mm
- Jamb flashing Same Color as Panel
- Drip flashing mask RAL9010 0.6mm
- Fixing screw SFS SFS BS-6.1x140 Zn
- Fixing screw SFS SD6-5.5x28 Zn
- Screw Covers Caps similar color of the structure

*Screws SFS or similar



Item Code Description

- N014 Support profile (option: powder coated)
- N005 Panel support profile (min. 1 pcs/m)
- O1654 Drip flashing (the extension should be made at facade extension location)
- I016 Sealing tape 2/10x15
- S001 Anchor bolt (min. 1 pcs/m)
- R014 Bolt site rivet 5,2x19,1 (min. 2 pcs/m)
- O1397 HF102 profile drip flashing
- A085 HF102 aluminum fixing profile
- R001 Blind rivet 4x8 (2 pcs/Item 7)
- W001 Thermal insulation
- A158 HF102/2 aluminum fixing profile
- T002 Sealing tape 3x15
- M087 Pre-compressed sealing tape 600 Pa, PUR 15/3-10 (PRINTABAND D600 B51)

Item Code Description

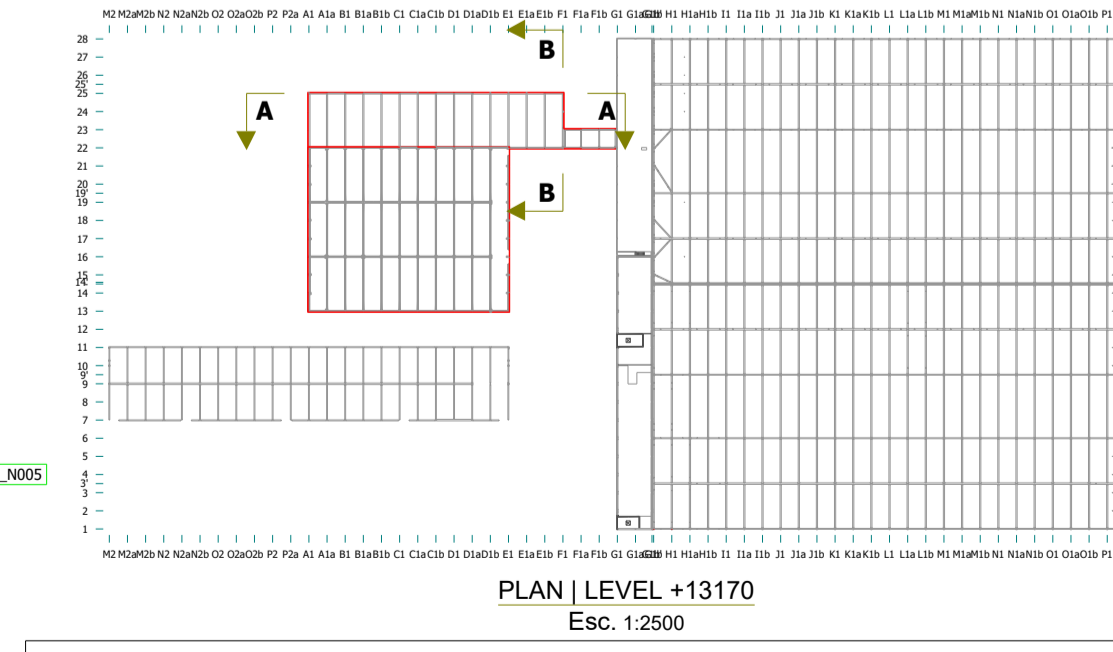
- A158 HF140 aluminum fixing profile
- A159 HF102/2 aluminum filler profile
- I118 EPDM - gasket CX2901
- V024 Fixing screw x (2 m/m of item 1)
- T002 Sealing tape 3x15 (2 m/m of item 1)
- M087 Mastic seal
- W001 Thermal insulation
- N1283 Fixing profile 105x100x19 - sa=1,5 (2 pcs./m facade joint)
- V024 Fixing screw x without washer

Item Code Description

- A158 HF140 aluminum fixing profile
- I118 EPDM - gasket CX2901
- V024 Fixing screw 4,5(5) x 25 washer ø14
- V027 Pre-compressed sealing tape 600 Pa, PUR 15/3-10 (PRINTABAND D600 B51)
- M087 Mastic seal
- O1653 HF140 prolongation flashing
- I1022 EPDM seal 26/26x30 + mastic seal
- N1283 Fixing profile 105x100x19 - sa=1,5 (2 pcs./m facade joint)
- V024 Fixing screw x without washer

Item Code Description

- A158 HF140 aluminum fixing profile
- A159 HF102/2 aluminum filler profile
- V024 Fixing screw x
- V021 Fixing screw 6,3(5,5) x 25 washer ø14
- M087 Mastic seal
- O1653 HF140 prolongation flashing
- N1283 Fixing profile 105x100x19 - sa=1,5 (2 pcs./m facade joint)
- V024 Fixing screw x without washer



WAREHOUSE - FAÇADA PANEL

GG2114 COLOPLAST [EXC2]

G [156]

GS1439

Hugo Dias

30.09.2025

1:5 1:35 1:125

